



GUIDE 2025
PRODUCTS AND SYSTEMS
SPLIT

2025



OFFICIAL AIR CONDITIONING
& AIR QUALITY PARTNER



This document is dedicated to those looking for advanced and specialized solutions for heating and cooling.

Solutions able to increase the comfort level in the places where we live, work and spend our free time.

Complete year round systems, focused on substantial energy savings and less dependency on the fossil fuels used by traditional HVAC solutions, such as natural gas or oil.

INSPIRING SOLUTIONS



This document is printed every year and presents all Clivet's products with the aim of providing a basis for decisions and evaluations.

More detailed information, updated regularly, is available in the "SYSTEMS AND PRODUCTS" area at www.clivet.com and on Clivet Apps, where they can be downloaded free of charge.

To keep up to date with Clivet news, follow us on our social networks:





CLIVET. INSPIRING SOLUTIONS



SINGLE Spilt



MULTISplit



LIGHT COMMERCIAL



ACCESSORIES & CONTROL SYSTEMS



DIMENSIONAL DRAWINGS

NATURAL COMFORT

I MOTIVI PER CREDERE IN UN FUTURO PIÙ CONFORTEVOLE, GRAZIE A CLIVET

Over 35 years of expertise in heat pumps.

Clivet has been leading the way in heat pump innovation since 1989. We were among the first to recognise the technology's potential for efficient and sustainable comfort – and our dedication to innovation hasn't wavered since.

Purpose-built solutions.

Clivet engineer its solutions from the ground up to offer specialised systems designed for a diverse range of applications and environments. Boasting the widest range of heat-pump solutions, our flexible, adaptable approach ensures a perfect fit for your specific requirements.

Crafted in Europe.

As a European company from the start, we understand the unique needs and demands of this market. Our heat pump solutions are designed with your comfort in mind, considering everything from climate variations to specific building requirements.

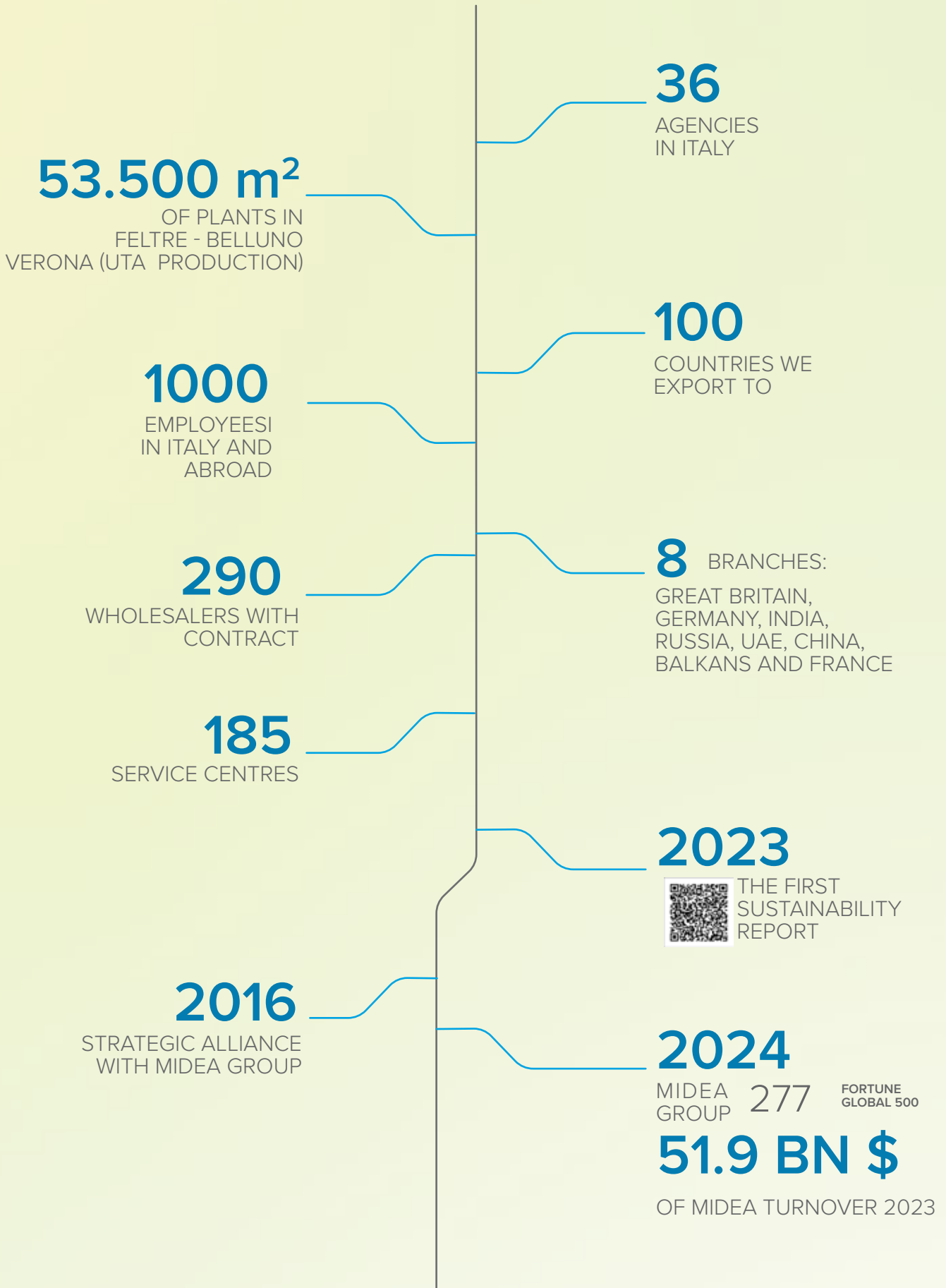
A simplified product experience.

Clivet systems streamline every step, from simplified design and installation to effortless operation and control. Engineered for efficiency from the ground up, Clivet delivers unparalleled ease of use, lower operating costs, and a lasting commitment to sustainability.



COMFORT FOR THE
PLANET & PEOPLE

OUR NUMBERS



CRISTALLO 2 NV OUTDOOR UNIT ^{PREVIEW}

- ✓ Compatible with CRISTALLO 2 (IMA1-Y) indoor units
- ✓ Extended operating range to -25 °C in heating mode
- ✓ Base and crankcase heater
- ✓ Drain pan optimised to prevent ice from forming



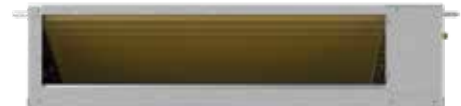
COMPACT 4-WAY CASSETTE ^{PREVIEW}

- ✓ Smaller unit dimensions
- ✓ Smaller panel dimensions
- ✓ Increased condensation drain pump
- ✓ Possibility of managing each individual louvre by remote control



DUCT 3 ^{PREVIEW}

- ✓ Vertical installation possible (excluding sizes 27M and 35M)
- ✓ Increased head, decreased sound power
- ✓ Increased condensation drain pump
- ✓ Easy maintenance



ODU-SM 2 53M-3 OUTDOOR UNIT ^{PREVIEW}

- ✓ Same compatibility as ODU-SM 2 53M
- ✓ Possibility of connecting 3 indoor units
- ✓ Improved indoor air distribution due to additional indoor unit



ODU-SM2 – MC4-Y OUTDOOR UNIT ^{PREVIEW}

- ✓ Only in sizes 70M - 88M - 140T - 160T
- ✓ Compatible with all indoor units (except DUCT 2)
- ✓ Full single-fan and lighter line-ups
- ✓ Compact dimensions but same performance

KJR-120-N-12V WIRED REMOTE CONTROL ^{PREVIEW}

- ✓ 2-pin and 4-pin cable connection possible
- ✓ Group control function, up to 16 units
- ✓ Rotation and Backup function in case of 2-pin connection
- ✓ Integrated Wi-Fi



GATEWAY INTESIS ^{NEW}

- ✓ Available in Modbus, KNX and BACnet protocols
- ✓ Compatible with all units with XYE port
- ✓ The communication protocol registers provide all the main functions
- ✓ Can be integrated into CONTROL4 NRG (Modbus Gateway)



Choose the right system

SPLIT systems are synonymous of comfort, performance and elegance. In order to make the best use of them, it is important to select the capacity of the air conditioner according to the room in which it will be installed.

An oversized system does not guarantee a uniform temperature or a good dehumidification and operates inefficiently by alternating continuous start/stop, wearing out quickly.

An undersized system cannot meet the comfort requirements, has a bad performance and always works at 100%.

An indicative sizing of the system can be done in this way:

Single Split / Light Commercial

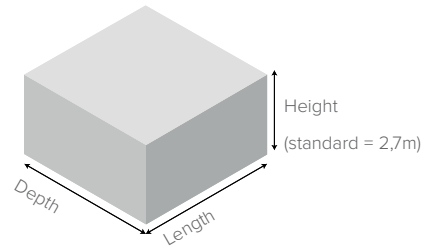
One outdoor unit for each room to be air conditioned.



Required capacity [W] = Room volume [m³] x 40/1.000

NOTE:

choose the size of the system with the maximum capacity greater than the required capacity.



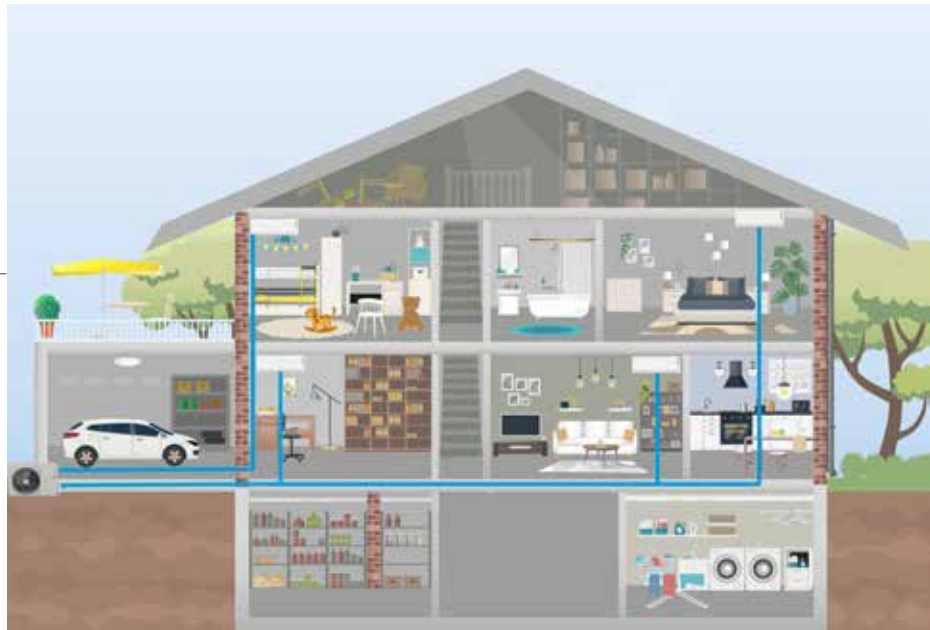
Room volume = length x depth x height

Typical rooms (example with CRISTALLO2):

Room	Surface [m ²]	Volume [m ³]	Required C [kW]	Size
Dining room	35	94,5	3,78	35M
Living room	50	135	5,40	53M
Room	25	67,5	2,70	27M

Set	Version				Capacity and Efficiency						Energy class	
	Unit	Code	Power supply	Cooling			Heating			SCOP	Cooling	Heating
				kW	Btu/h	SEER	kW	Btu/h				
27M	IDU	IMA1Y 27M	89682314	230/1/50	2,64 (1,03÷3,22)	9.000 (3.500÷11.000)	8,80	2,64 (1,03÷3,22)	9.000 (3.500÷11.000)	4,50	A+++ A	A+++ A
	ODU	MMA1Y 27M	89682319	230/1/50								

Space-saving solution ideal for air conditioning multiple rooms.




- Choose how many rooms need air conditioning: number of outdoor unit connections
- For each room: Required power [W] = Room volume [m³] x 40/1.000
- Choose the size of the outdoor unit (ODU): sum of the required capacities of each air-conditioned room at the same time

Application examples:

- Rooms to be air-conditioned: 4 = outdoor unit with at least 4 connections
- Calculation of the required capacity for each room

Area	Room	Surface [m ²]	Volume [m ³]	Required C [kW]	Size (IDU)
Sleeping area	Room	25	67,5	2,70	27M
	Studio	20	54	2,16	20M
Day area	Dining room	35	94,5	3,78	35M
	Living room	50	135	5,40	53M

tot
11,34 kW

Set	Version Code	Connectable Indoor Units	Capacity				Energy class Cooling/Heating
			Cooling		Heating		
			kW	Btu/h	kW	Btu/h	
MU2-Y 105M	89112261	QUADRI (1=4)	10,5 (2,1+10,5)	36.000 (7.000+36.000)	10,8 (2,3+11,1)	37000 (8.000+38.000)	

Selection of outdoor unit:

Required capacity = 2,160 + 3,780 + 5,400 (rooms of the day area to be air-conditioned at the same time) = 11,340 W.

The best choice is the MU1-Y 105M unit.

Functions

CLIVET

ENERGY SAVING

1W Stand-by (Single Split IDU)

The consumption in stand-by mode of electrical equipment can total up to 10% of the energy bill and causes an increase in CO₂ emissions. The wall-mounted indoor units boast the 1 W Stand-by technology, which reduces wastages down to -80%, well below the average for products on the market.

On average, the energy saved up in one year can power:



LAMP
14 days



WASHING MACHINE
4 days.



REFRIGERATOR
3 days.



Sleep

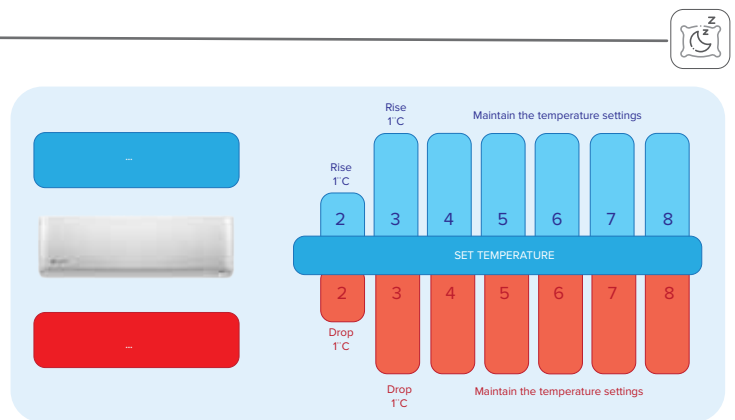
The Sleep function allows to save energy during the night:

COOLING: the set temperature increases by 1°C/h for 2 hours and the fan of the indoor unit is set at low speed.

HEATING: the set temperature decreases by 1°C/h for 2 hours and the fan of the indoor unit is set at low speed.

Note: the Sleep function terminates 7 hours after its activation and the unit switches off.

The Sleep function can be activated from a standard control:



ECO/Gear

ECO/Gear is an energy saving function that allows the user to set standard operation profiles, reducing the unit's capacity to standard profiles of 100% / 75% / 50% / ECO. The ECO profile in particular sets an operating cycle of 8 hours with extremely low consumption, particularly suitable when out of the house or at night.



COMFORT

Follow Me



The remote control and the wired control have an integrated temperature sensor that measures the surrounding temperature. The Follow Me function manages the operation of the air conditioning unit by adjusting it with this set-point, monitoring the indoor temperature more accurately and guaranteeing improved comfort.

The Follow Me function can be selected from a standard control:



Turbo



Turbo function can boost cooling or heating speed in a short period, and makes the room cool down or heat up rapidly.

The Turbo function can be activated from a standard control:



Mute Operation



The Mute Operation function enables you to optimally enjoy your moments of relax without having to interrupt your beauty sleep, by deactivating the buzzers and dimming the luminous display.

The Mute Operation function can be activated from the standard control by pressing the LED button.



Functions

CLIVET

COMFORT



Stepless Indoor Fan Speed / 12 Grades Speed

- ✓ The stepless indoor fan speed allows the user to set a speed from one to 6 standard speeds (1% / 20% / 40% / 60% / 80% / 100%) or, by holding down the button on the remote control, change the speed in steps of 1%.
- ✓ The 12-speed fan allows the user to set one speed among the 3 standard ones (High / Medium / Low). Each of these, depending on how far you are from the set temperature, has 3 sub-speed settings that the unit adjusts itself.

In addition to the standard speeds described and AUTO mode, the unit also independently manages profiles dedicated to Turbo, Silent and Anti-Cold Air modes.



Anti cold air

When the unit is set to Heating, the logic does a temperature check of the indoor exchanger before activation. The indoor unit's fan is activated only when it detects that the exchanger is hot enough not to cause cold air to spread.



Multidirectional airflow

The air conditioning unit can distribute the flow of air in multiple directions: to better direct the flow within the room, it electronically adjusts the direction of the slats both horizontally and vertically.

The standard control can be used to easily set the desired louver position.



RELIABILITY

Refrigerant Leakage Alarm



The units are equipped with an automatic system to protect the compressor that detects possible refrigerant leakages, and automatically switches off the system in case of anomalies.

Note: The indoor unit's display presents the corresponding error code, so as to facilitate and speed-up the maintenance intervention.



Emergency Function



The Emergency using allows the system to continue operating even when an internal sensor has failed: the unit shows the error code on the display, but continues in an emergency operating mode before stopping.



Technical room conditioning



The air conditioning units are also able to satisfy the needs of technical rooms, thanks to the possibility of operating in cooling mode even with low outdoor temperatures, in other words, up to -15°C and 50°C .

N.B.: the set-point temperatures that can be selected through the remote control range between 17°C to 30°C . If the applications require other values, the remote ON/OFF function can be used.



Functions

CLIVET

HEALTH

High Density filter

The high-density filter allows for removing up to 80% of dust and pollen: this makes it far more effective compared to traditional dust filters.

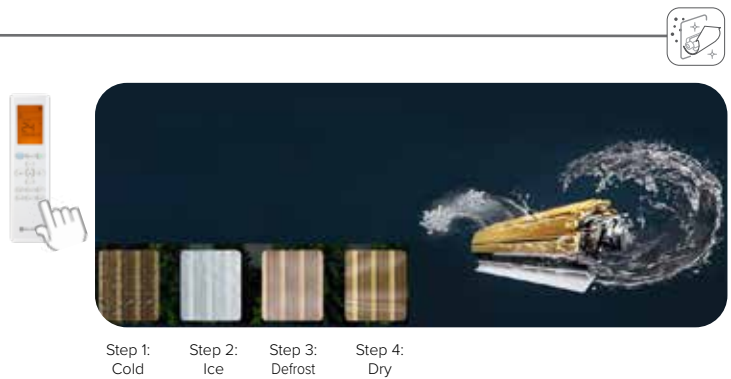


i-clean

Dries and cleans the exchanger of the indoor unit, preventing the formation of mould or the emission of unpleasant odours into the environment.

The cycle includes:

- ✓ Cooling until ice forms on the exchanger (17 minutes)
- ✓ Heating to defrost the exchanger (6 minutes)
- ✓ Ventilation to dry the exchanger (7 minutes)

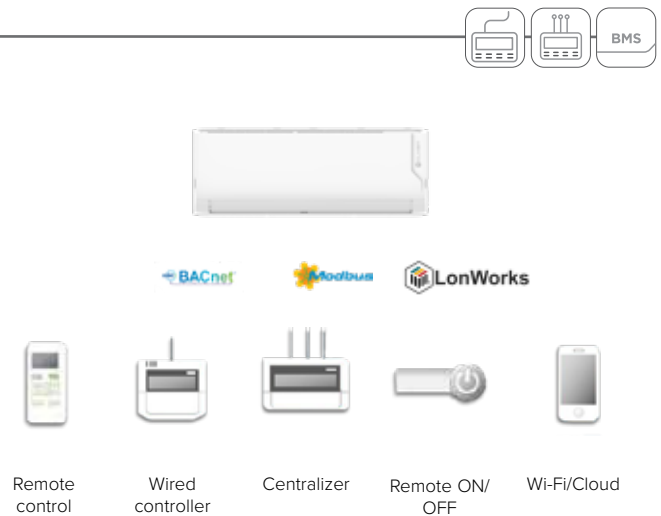


CONVENIENCE

Control systems

Besides the standard remote control the units can be managed with devices designed to satisfy any need:

- ✓ Wired control per single unit
- ✓ Wired centraliser, capable of managing up to 64 indoor units with a weekly scheduler
- ✓ Data converter, capable of managing up to 64 indoor units via Cloud
- ✓ Gateways, which allow for inserting the systems in BMS management software



Auto-restart

When the power fails, the unit keeps the last settings in memory and resumes operation in the same way when restored.





CLIVET COMBINES THE BEST TECHNOLOGY

with an excellent product quality and performance certification system

The innovation for which Clivet has always stood out, is supported by an industrial framework that has adopted the standards envisaged by ISO 9001, since 1996, guaranteeing a quality management system designed to control company processes so that they are targeted at improving the efficacy and efficiency of the organisation, as well as at client satisfaction.

In 2021 the Innovation Centre, Clivet's new centre for technological innovation, was officially opened with two new test rooms where Clivet can carry out functional, performance, acoustic, vibration and stress tests, with air temperatures from -20°C to $+60^{\circ}\text{C}$, for units up to 2.5 MW with new refrigerants with a low environmental impact. Customers can attend the tests both at the Innovation Centre and online.

Clivet uses latest generation sheet metal folding, press and cutting machines for the mechanical production of its components. High product quality standards are also guaranteed by the use of patented electronic controls.

Clivet only uses non-toxic and low environmental impact alloys for soldering, insulation and gases that comply with the strictest European standards, and the best components available on the market.



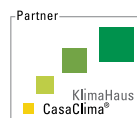
They optimise the solution based on the needs of the **various applications** and integrate it in specialised products and in complete dedicated systems:



With the aim of providing Customer satisfaction, Clivet S.p.A. has supplemented and certified its Quality, Environment and Safety Management Systems, in accordance with the ISO 9001, ISO 14001 and ISO 45001 International Standards.



Clivet is committed in promoting the green building principles and has become a member of GBC Italia. This organization collaborates with **GBC Italia**, the U.S. nonprofit organization that promotes worldwide the **LEED®** system of independent certification.



In 2015, Clivet became a partner of **CasaClima**, as a result, Clivet is now part of a network of companies renowned for their technical expertise and constant focus on sustainable home management. Where applicable.



KEYMARK is a mark recognized in many European countries for the provision of incentives for the installation of heat pumps for room heating and the production of domestic hot water.

The countries that recognize the mark and the Certified Products are available on <https://keymark.eu/en/products/heatpumps/heat-pumps> Where applicable.



Clivet participates in the EUROVENT “Liquid Chilling Packages and Hydronic Heat Pumps”, “Rooftops”, “Air Handling Units”, “Fan Coil Units” and “VRF” Certification programmes. The products concerned feature in the EUROVENT guide to certified products and on the website www.eurovent-certification.com. The programmes cover up to the limits set by the purpose of each programme. Where applicable.



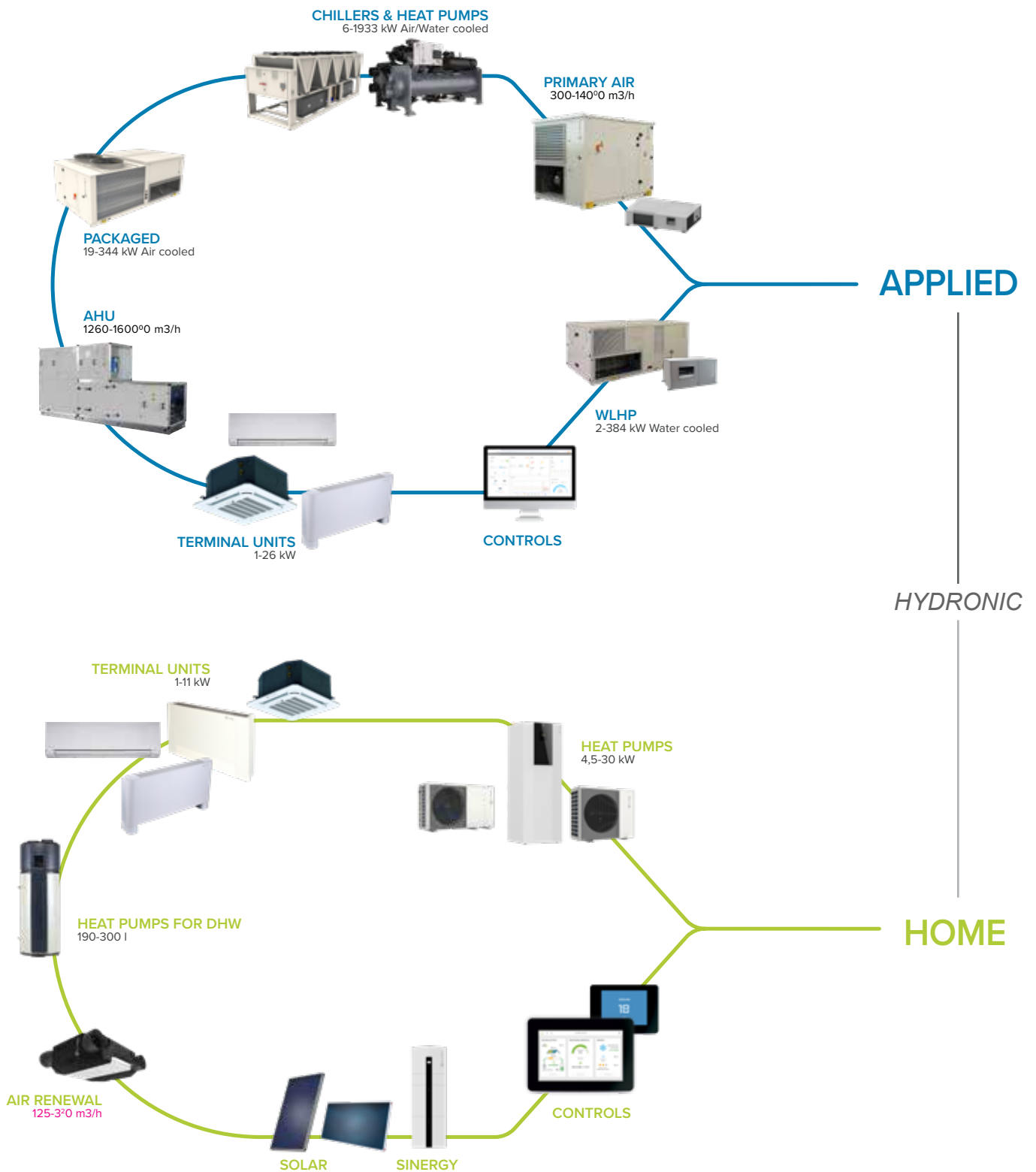
The wide range of Clivet products and complete systems comply with the requirements of the implementing measures for ErP (Energy related Products) Directives 2009/125/EC (Eco-design) and 2010/30/EU (Energy labelling), whose purpose is to reduce the energy consumption of products for heating, cooling, ventilation and hot water production, encouraging the user towards energy-efficient choices.

Directives 2009/125/EC and 2010/30/EU include the following Regulations: (EU) 206/2012, (EU) 626/2011; (EU) 811/2013, (EU) 812/2013, (EU) 813/2013, (EU) 814/2013; (EU) 1253/2014, (EU) 1254/2014; (EU) 2016/2281.

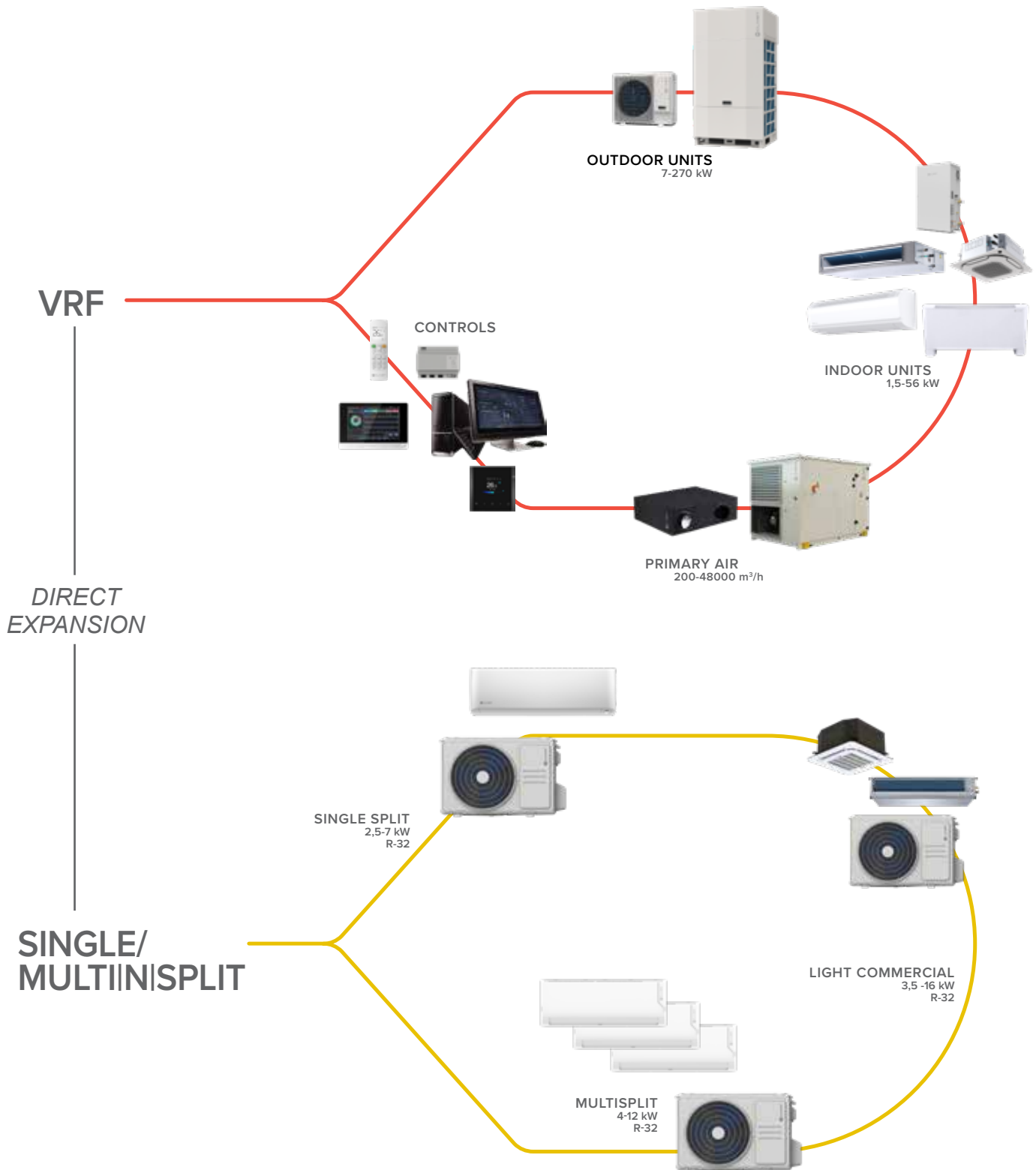


Clivet is involved in the BEYOND GREEN project to promote sustainability and the circular economy together with the other members of SAFE, the consortium system for the circular economy which works to raise public awareness regarding environmental issues, management and valorisation waste, education and training on environmental protection, research on environmental protection.

ALL TECHNOLOGIES FOR A COMPLETE PROPOSAL



Heating, cooling,
air renewal and
domestic hot water production







**SINGLE/MULTISPLIT
& LIGHT COMMERCIAL**

SINGLE Split



CLIVET

	Name	Type	Serie	Class	Size	27M	35M	53M	70M
					Btu/h kW	9.000 2,70	12.000 3,50	18.000 5,30	24.000 7,00
CERVINO		Wall	IEA1-P MEA1-P		●	●			
STELVIO		Wall	IH2-Y MH2-Y		●	●			
CRISTALLO 2		Wall	IMA1-Y MMA1-Y		●	●	●	●	●
CRISTALLO 2 NV <i>PREVIEW</i>		Wall	IMA1-Y MMA1-Y NV		●	●			
EZCOOL		Wall	ILA1-Y MLA1-Y		●	●	●	●	●
NATIV		Wall	IZ2-XY MZ2-Y		●	●	●	●	●



MULTISplit



INDOOR UNITS

	Name	Type	Serie	Size	27M	35M	53M	70M
				Btu/h kW	9.000 2,60	12.000 3,50	18.000 5,30	24.000 7,00
CRISTALLO 2		Wall	IMA1-Y	●	●	●	●	●
EZCOOL		Wall	ILA1-Y	●	●	●	●	●
COMPACT 4-WAY CASSETTE <i>PREVIEW</i>		Cassette 620x620	IBA1-Y	●	●	●		
BOX 2 650x650 (to exhaustion)		Cassette 650x650	IB3-XY	●	●	●		
DUCT 3 <i>PREVIEW</i>		Ductable	IDA1-Y	●	●	●	●	●
DUCT 2 (to exhaustion)		Ductable	ID3-XY	●	●	●	●	●
CONSOLE 3		Console	IC3-Y	●	●	●		
CEILING & FLOOR 2		Ceiling/Floor	IF3-XY	●			●	





















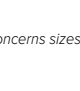
All units are supplied with standard remote control.

Name	Type	Serie	Class	Connectable Indoor Units	Size	41M	53M	53M-3	61M	79M	82M	105M	125M	
					Btu/h kW	14.000 4,10	18.000 5,30	18.000 5,30	21.000 6,20	27.000 7,90	28.000 8,20	36.000 10,5	42.000 12,3	
INDOOR UNITS ODU-SM 2  Outdoor unit	MU2-Y	 	Dual (1÷2)	● ●										
			Triple (1÷3)			<i>PREVIEW</i>	● ● ●							
			Quadri (1÷4)								● ●			
			Penta (1÷5)											●

Energy Classes for a 100% combination of the nominal load. For the complete technical data of the combinations, refer to the Combination Tables

LIGHT COMMERCIAL



Name	Type	Serie	Class	Size	35M	53M	70M	88M	105M 105T	120M	140T	160T
				Btu/h kW	12.000 3,50	18.000 5,30	24.000 7,00	30.000 8,80	36.000 10,5	42.000 12,0	48.000 14,0	55.000 16,0
CASSETTE COMPACT 4-WAY <i>PREVIEW</i> 	Cassette 620x620	IBA1-Y MC3-Y	 	SINGLE	SINGLE							
BOX 2 650x650 (to exhaustion) 	Cassette 650x650	IB3-XY MC3-Y	 	SINGLE	SINGLE							
BOX 2 950x950 	Cassette 950x950	IA3-XY MC3-Y MC4-Y*	 				SINGLE TWIN	SINGLE TWIN	SINGLE	SINGLE	SINGLE	SINGLE
DUCT 3 <i>PREVIEW</i> 	Ductable	IDA1-Y MC3-Y MC4-Y*	 	SINGLE TWIN	SINGLE TWIN	SINGLE TWIN	SINGLE TWIN	SINGLE	SINGLE	SINGLE	SINGLE	SINGLE
DUCT 2 (to exhaustion) 	Ductable	ID3-XY MC3-Y	 	SINGLE TWIN	SINGLE TWIN	SINGLE TWIN	SINGLE TWIN	SINGLE	SINGLE	SINGLE	SINGLE	SINGLE
CONSOLE 3 	Console	IC3-Y MC3-Y	 	SINGLE	SINGLE							
CEILING & FLOOR 2 	Ceiling/Floor	IF3-XY MC3-Y MC4-Y*	 			SINGLE TWIN	SINGLE TWIN		SINGLE		SINGLE	SINGLE

* Note: At the time of publication of this catalogue, the upgrade from MC3-Y to MC4-Y is in *PREVIEW* and concerns sizes 70M - 88M - 140T - 160T.

CERVINO 27M ÷ 35M

MONOSplit



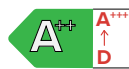
WI-FI
READY



CONTROL
SYSTEM



21
dB(A)



SINGLE Split with hiwall indoor unit

WHY CHOOSE CERVINO?

- ✓ R290 technology: combining high performance with maximum respect for the environment
- ✓ ALTODesign panel with strong but elegant lines, matt finish with contrasting logo
- ✓ Smart management as standard: via smartphone with the NetHome Plus App and voice control setup with Amazon Alexa and Google Assistant

MULTI-DIRECTIONAL AIRFLOW

The air conditioning unit can distribute the flow of air in multiple directions: to better direct the flow within the room, it electronically adjusts the direction of the louvers both horizontally and vertically.



THE standard control can be used to easily set the desired louvers position.



MONOSplit

FOR THE FUTURE

Cervino is the split designed with the environment and the future in mind.



The R290 refrigerant is in fact a natural gas with excellent thermodynamic properties and already complies with the most stringent European regulatory developments.

This technology makes it possible to respect the environment and achieve performance that guarantees optimum comfort.

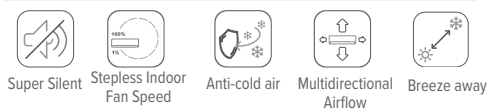
FOLLOW-ME

The system gives priority to the temperature sensor in the remote control and adjusts itself accordingly.



1. Standard temperature sensor
2. The temperature sensor can be activated

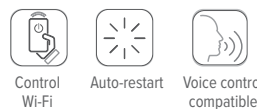
COMFORT



RELIABILITY



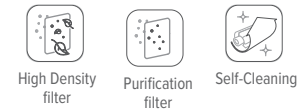
CONVENIENCE



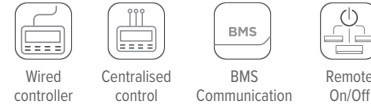
ENERGY SAVING



HEALTH



OPTIONAL



Wi-Fi NWMX
(standard)

PREVIEW
FILOCOMANDO
KJR-120N-12V
(optional)
(necessario kit MKSS2X)

NEW
WIRED REMOTE CONTROL
KJR-120X1-TFBG-E
(optional)
(necessario kit MKSS2X)

REMOTE CONTROL
RG10A-D2S-BGEF
(standard)

IEA1-P

MEA1-P

technical data

Set				27M	35M
Cooling capacity	Standard (Min.=Max.)	Btu/h		9,000 (3.500÷11.000)	12,000 (4.700÷14.700)
	Standard (Min.=Max.)	kW		2,64 (1,03÷3,22)	3,52 (1,38÷4,31)
Heating capacity	Standard (Min.=Max.)	Btu/h		11,000 (3.600÷13.000)	11,500 (3.600÷15.000)
	Standard (Min.=Max.)	kW		3,22 (1,067÷3,81)	3,37 (1,07÷4,38)
Standard power supply	Cooling (Min.=Max.)	W		659 (80÷1100)	977 (130÷1.650)
	Eating (Min.=Max.)	W		848 (160÷1.350)	899 (160÷1.560)
Rated current input	Cooling (Min.=Max.)	A		2,87 (0,35÷4,78)	4,24 (0,60÷7,20)
	Eating (Min.=Max.)	A		3,69 (0,70÷5,90)	3,91 (0,70÷6,80)
Seasonal efficiency ¹	Cooling	Energy class	-	A+++	A+++
		Design load (Pdesign)	kW	2,60	3,50
		SEER	-	8,80	8,50
		Annual energy consumption	kWh/a	103	144
	Heating Average season	Energy class	-	A++	A++
		Design load (Pdesign)	kW	2,50	2,50
		SCOP	-	4,60	4,60
		Annual energy consumption	kWh/a	761	761
Heating Warmer season	Energy class	-	A++	A++	
	SCOP	-	5,10	5,10	
Standard efficiency ²	EER	-	4,00	3,60	
	COP	-	3,80	3,75	

Indoor unit

Indoor unit		IEA1-P		27M	35M
Article code				88672392	89692303
Dimensions	Unit	L x D x H	mm	802x200x295	802x200x295
	Packaging	L x D x H	mm	875x285x380	875x285x380
System weight	Unit/Packaging		kg	8,4/11,1	8,4/11,1
Air filter	Type			PUF	PUF
Airflow		Hi/Mid/Lo	m ³ /h	520/370/310	520/370/310
Dehumidification capacity			l/h	1,00	1,20
Sound power		Hi	dB(A)	53	53
Sound pressure level		Hi/Mid/Lo	dB(A)	39/35/21	39/35/21
Control systems	Infrared remote control			RG10A4-D2S-BGEF	RG10A4-D2S-BGEF
	Settable temperature		°C	16÷30	16÷30
Power supply	Voltage/Frequency/Phases		V/Hz/n°	230 / 50 / 1	230 / 50 / 1

outdoor unit

outdoor unit		MEA1-P		27M	35M
Article code				89682317	89682316
Dimensions	Unit	L x D x H	mm	805x330x554	805x330x554
	Packaging	L x D x H	mm	915x370x615	915x370x615
System weight	Unit/Packaging		kg	33,2/36,1	33,2/36,1
Sound power		Nominal	dB(A)	52,5	52,5
Sound pressure level		Nominal	dB(A)	59	59
Operating range	Cooling	Indoor T.	°C	16÷32	16÷32
		Outdoor T.	°C	-15÷50	-15÷50
	Heating	Indoor T.	°C	0÷30	0÷30
		Outdoor T.	°C	-15÷24	-15÷24
Refrigerant	Type/GWP			R-290 / 3	R-290 / 3
Power supply	Voltage/Frequency/Phases		V/Hz/n°	230 / 50 / 1	230 / 50 / 1

¹ SEER and SCOP data, relative energy ratings and annual energy consumption in conformity to the EN 14825 standard measurement.

² EER/COP values declared only for tax deductions in force at the time this document was written.

CCF = Cold Catalyst Fan speed: Hi=High; Mid=Medium; Lo=Low; Si=Silent

Test conditions: according to EN14511 / EN12102

Cooling: indoor air temperature 27°C DB/19°C WB; outdoor air temperature 35°C DB/24°C WB;

Heating: indoor air temperature 20°C DB/15°C WB; outdoor air temperature 7°C DB/6°C WB.

Data declared according to UE 626/2011 delegated regulation

refrigerant piping and connections

Set			27M	35M
Max equivalent length		V/Hz/n°	25	25
Max difference in level ODU / IDU		no. of cables	±10	±10
Refrigerant precharge		V/Hz/n°	0,38 / 5	0,38 / 5
External diameters	Liquid	no. of cables	Φ6,35 - 1/4"	Φ6,35 - 1/4"
	Gas	no. of cables	Φ9,52 - 3/8"	Φ9,52 - 3/8"

electrical connections

Set			27M	35M
ODU	Power supply	V/Hz/n°	230 / 50 / 1	230 / 50 / 1
		no. of cables	2 + G	2 + G
IDU	Power supply	V/Hz/n°	230 / 50 / 1	230 / 50 / 1
		no. of cables	2 + G	2 + G
	Signal	no. of cables	2	2

accessories

Standard

RG10A-D2S-BGEF	Infrared remote control for CERVINO / CRISTALLO 2 / EZCOOL / BOX 2 / CONSOLE 3 / DUCT 3 / DUCT 2 / C&F 2 indoor units
NWMX	Wi-fi kit for indoor units

Optionals

MKSS2X <small>NEW</small>	Multifunction board that makes the indoor unit available for Remote ON / OFF, Alarm port and XYE Port (required for connection of Wired controller, Centralized wired controller, Data Converter, BMS Gateway) <i>The ON-OFF/Alarm/XYE/Wi-Fi port functions can be used simultaneously</i>
Control Systems	(see dedicated section)

STELVIO 27M ÷ 35M

MONOSplit



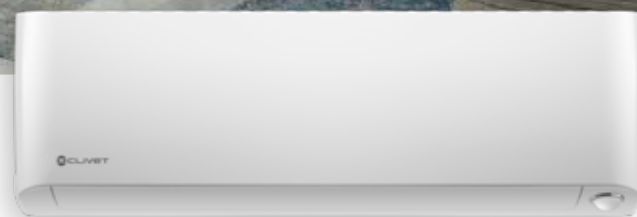
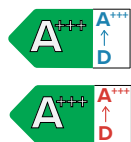
WI-FI
READY



CONTROL
SYSTEM



24
dB(A)



SINGLE Split with hiwall indoor unit

WHY CHOOSE STELVIO?

- ✓ Smart management as standard: via smartphone with the NetHome Plus App and voice control setup with Amazon Alexa and Google Assistant
- ✓ Extremely extended operating ranges: Heating $-30^{\circ}\text{C} \div +30^{\circ}\text{C}$; Cooling $-15^{\circ}\text{C} \div +50^{\circ}\text{C}$
- ✓ Humidity management: the unit dehumidifies according to the customer's humidity setting
- ✓ Comfort in any situation thanks to the "Intelligent Eye" sensor

ULTRA-HIGH ENERGY EFFICIENCY

STELVIO is equipped with ultra-high energy efficiency technology, which makes it one of the most efficient air conditioners on the market. Unsurpassed comfort, with low electricity consumption and related costs.



SCOP

SEER

5.3

9.2

EXTREMELY EXTENDED OPERATING RANGE



50°C

-30°C

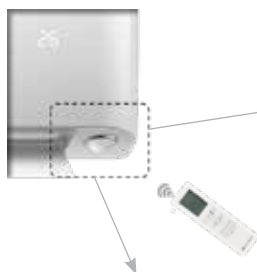


HUMIDITY MANAGEMENT



The unit is now equipped with a humidity probe that allows it to manage the new humidity management function. You can set a relative humidity in intervals of $\pm 5\%$, in a range of 35-85%: if the set is lower than the value detected by the probe, the unit will start dehumidifying. The function is also available from the App.

INTELLIGENT EYE SENSOR



Airflow **follows** people



or Airflow **avoids** people



No movement for 30 minutes:
dampens operation

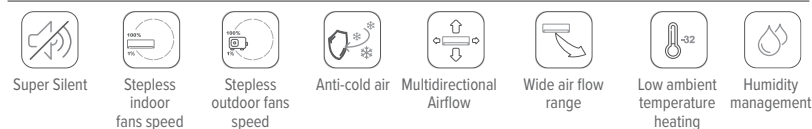


No movement for 2 hours:
stand-by

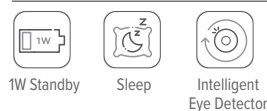


New movement:
restarts at the last settings

COMFORT



ENERGY SAVING



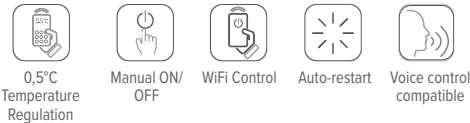
RELIABILITY



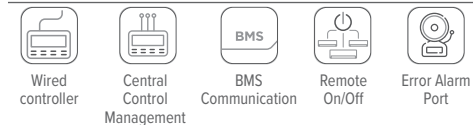
HEALTH



CONVENIENCE



OPTIONAL



technical data

Set		27M		35M	
Cooling capacity	Standard (Min.=Max.)	Btu/h	9.000 (3.400÷14.200)	12.000 (3.500÷16.400)	
	Standard (Min.=Max.)	kW	2,60 (1,00÷4,20)	3,50 (1,00÷4,80)	
Heating capacity	Standard (Min.=Max.)	Btu/h	14.000 (2.600÷23.900)	14.500 (2.600÷24.600)	
	Standard (Min.=Max.)	kW	4,10 (0,80÷7,00)	4,20 (0,80÷7,20)	
Standard power supply	Cooling (Min.=Max.)	W	483 (87÷1.955)	748 (102÷1.955)	
	Eating (Min.=Max.)	W	834 (104÷1.955)	924 (104÷2.625)	
Rated current input	Cooling (Min.=Max.)	A	2,10 (0,40÷8,50)	3,25 (0,40÷8,50)	
	Eating (Min.=Max.)	A	3,60 (0,45÷8,50)	4,01 (0,45÷11,4)	
Seasonal efficiency ¹	Cooling	Energy class	-	A+++	A+++
		Design load (Pdesign)	kW	3,00	3,50
		SEER	-	9,20	9,20
		Annual energy consumption	kWh/a	130	130
		Energy class	-	A+++	A+++
	Heating	Design load (Pdesign)	kW	2,20	2,20
		SCOP	-	5,30	5,30
		Annual energy consumption	kWh/a	620	620
		Energy class	-	A+++	A+++
		SCOP	-	6,00	6,00
Standard efficiency ²	EER	-	5,38	4,68	
	COP	-	4,92	4,55	

Indoor unit			IH2-Y	27M	35M
Article code				87012278	87022241
Dimensions	Unit	L x D x H	mm	895x248x298	895x248x298
	Packaging	L x D x H	mm	985x370x350	985x370x350
System weight	Unit/Packaging		kg	12,7/17,5	12,7/17,5
Air filter	Type			CCF	CCF
Airflow		Hi/Mid/Lo	m ³ /h	575/497/340	575/497/340
Dehumidification capacity			l/h	1,00	1,20
Sound power		Hi	dB(A)	59	59
Sound pressure level		Hi/Mid/Lo	dB(A)	43/34/24	43/34/24
Control systems	Infrared remote control			RG10P1-G2HS-BGEF	RG10P1-G2HS-BGEF
	Settable temperature		°C	16÷30	16÷30
Power supply	Voltage/Frequency/Phases		V/Hz/n°	230 / 50 / 1	230 / 50 / 1

Outdoor unit			MH2-Y	27M	35M
Article code				87012280	87022243
Dimensions	Unit	L x D x H	mm	805x330x554	805x330x554
	Packaging	L x D x H	mm	915x370x615	915x370x615
System weight	Unit/Packaging		kg	32,3/34,8	32,3/34,8
Sound power		Nominal	dB(A)	60	60
Sound pressure level		Nominal	dB(A)	55,5	55,5
Operating range	Cooling	Indoor T.	°C	16÷32	16÷32
		Outdoor T.	°CBS	-15÷50	-15÷50
	Heating	Indoor T.	°C	0÷30	0÷30
		Outdoor T.	°CBU	-30÷30	-30÷30
Refrigerant	Type/GWP			R-32 / 675	R-32 / 675
Power supply	Voltage/Frequency/Phases		V/Hz/n°	230 / 50 / 1	230 / 50 / 1

¹ SEER and SCOP data, relative energy ratings and annual energy consumption in conformity to the EN 14825 standard measurement.

² EER/COP values declared only for tax deductions in force at the time this document was written. CCF = Cold Catalyst Fan speed: Hi=High; Mid=Medium; Lo=Low; Si=Silent

Test conditions: according to EN14511 / EN12102

Cooling: indoor air temperature 27°C DB/19°C WB; outdoor air temperature 35°C DB/24°C WB; Heating: indoor air temperature 20°C DB/15°C WB; outdoor air temperature 7°C DB/6°C WB. Data declared according to UE 626/2011 delegated regulation

refrigerant piping and connections

Set			27M	35M
Max equivalent length	V/Hz/n°		25	25
Max difference in level ODU / IDU	no. of cables		±10	±10
Refrigerant precharge	V/Hz/n°		0,90 / 5	0,90 / 5
External diameters	Liquid	no. of cables	Φ6,35 - 1/4"	Φ6,35 - 1/4"
	Gas	no. of cables	Φ9,52 - 3/8"	Φ9,52 - 3/8"

electrical connections

Set			27M	35M
ODU	Power supply	V/Hz/n°	230 / 50 / 1	230 / 50 / 1
		no. of cables	2 + G	2 + G
IDU	Power supply	V/Hz/n°	230 / 50 / 1	230 / 50 / 1
		no. of cables	2 + G	2 + G
	Signal	no. of cables	2	2

accessories

Standard

RG10P1-G2HS-BGEF Infrared remote control for STELVIO indoor units

NWMX Wi-Fi kit for indoor units

Optionals

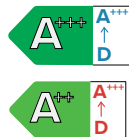
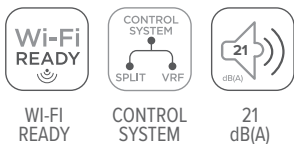
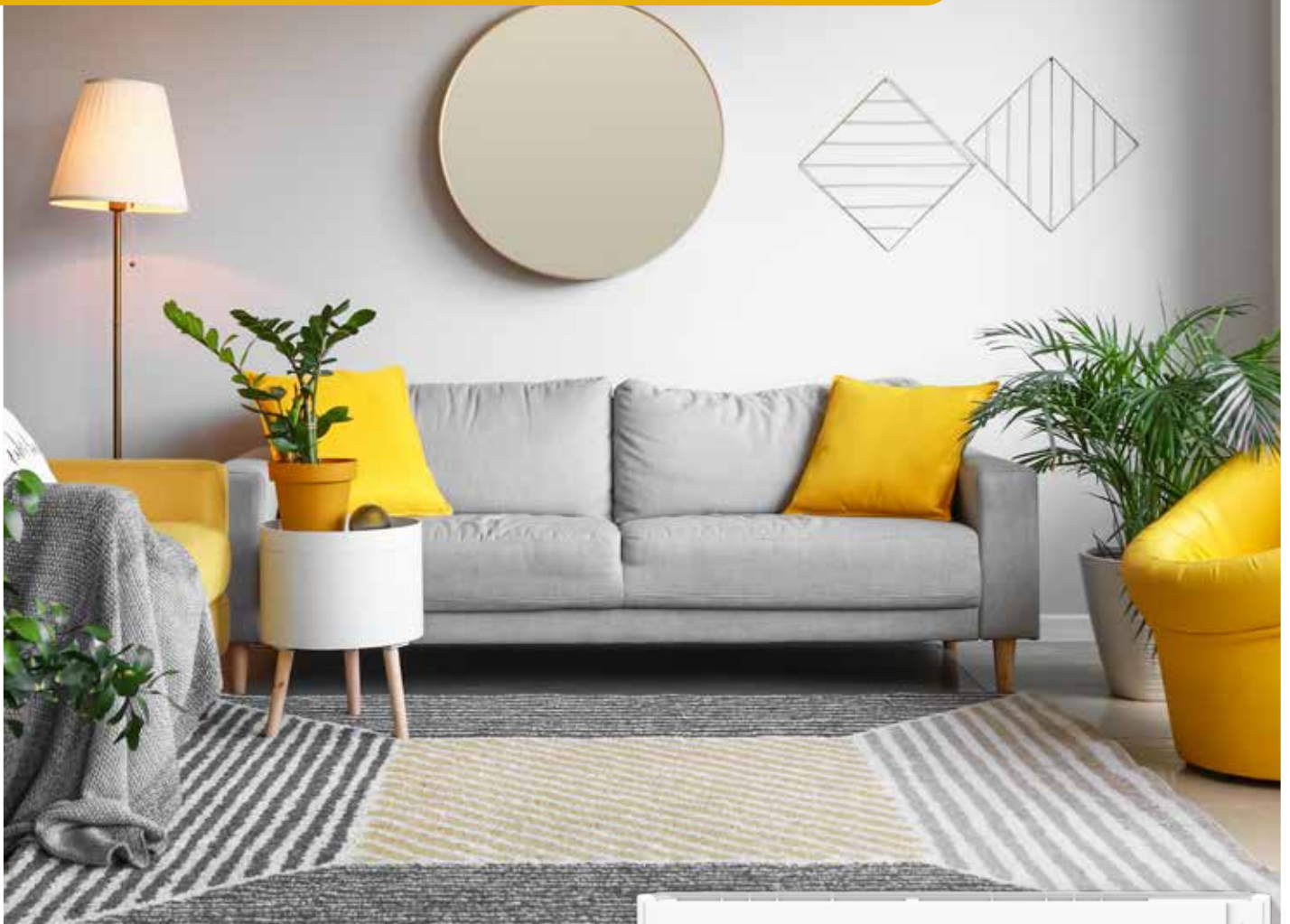
MBLCX Multifunction board that makes the indoor unit available for Remote ON / OFF, Alarm port and XYE Port (required for connection of Wired controller, Centralized wired controller, Data Converter, BMS Gateway)

The ON-OFF/Alarm/XYE/Wi-Fi port functions can be used simultaneously

Control Systems (see dedicated section)

CRISTALLO 2 27M ÷ 70M

MONOSplit



SINGLE Split with hiwall indoor unit

WHY CHOOSE CRISTALLO2?

- ✓ ALTODesign panel with strong, elegant lines, matt finish
- ✓ Purification filter: active against odours, dust, VOC, pollen, spores, bacteria
- ✓ Smart management as standard: via smartphone with the NetHome Plus App and voice control setup with Amazon Alexa and Google Assistant
- ✓ SINGLE Split/MULTI Split compatible
- ✓ Compatible with CRISTALLO 2 NV outdoor unit PREVIEW

MULTI-DIRECTIONAL AIRFLOW

The air conditioning unit can distribute the flow of air in multiple directions: to better direct the flow within the room, it electronically adjusts the direction of the louvers both horizontally and vertically.



THE standard control can be used to easily set the desired louvers position.



MONOSplit

BREEZE AWAY

This function prevents the air flow from being directed directly at people, creating discomfort.

The fan moves at minimum speed.

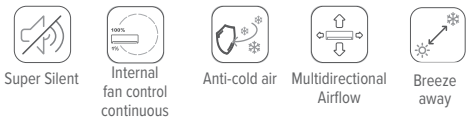


PURIFICATION FILTER

- ✓ High density filter: Removes larger dust and microbes, protects other filters. It is washable and reusable
- ✓ Cold catalyst filter: Oxidises various hazardous gases (such as VOC) by decomposing them into inert substances such as H₂O or carbon dioxide. It also limits odours
- ✓ Activated carbon filter: Chemically absorbs microparticles and bacteria, cleaning the air and eliminating odours
- ✓ Silver ion filter: Continuously releases silver ions to eliminate up to 99% of airborne bacteria, while also limiting their growth and proliferation. Also active on viruses



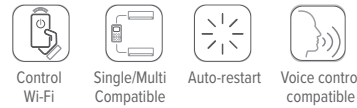
COMFORT



RELIABILITY



CONVENIENCE



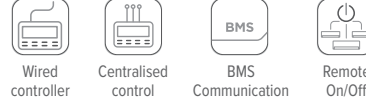
ENERGY SAVING



HEALTH



OPTIONAL



technical data

Set			27M	35M	53M	70M	
Cooling capacity	Standard (Min.=Max.)	Btu/h	9.000 (3.500÷11.000)	12.000 (4.700÷14.700)	18.000 (11.570÷20.100)	20.100 (7.200÷28.000)	
	Standard (Min.=Max.)	kW	2,64 (1,03÷3,22)	3,52 (1,38÷4,31)	5,27 (3,39÷5,90)	5,88 (2,11÷8,20)	
Heating capacity	Standard (Min.=Max.)	Btu/h	10.000 (2.800÷11.500)	13.000 (3.640÷15.000)	18.400 (10.600÷20.000)	22.700 (5.300÷28.000)	
	Standard (Min.=Max.)	kW	2,93 (0,82÷3,37)	3,81 (1,07÷4,38)	5,39 (3,10÷5,85)	6,66 (1,55÷8,20)	
Standard power supply	Cooling (Min.=Max.)	W	628 (80÷1100)	1.005 (130÷1.650)	1.550 (560÷2.050)	1.770 (420÷3.200)	
	Eating (Min.=Max.)	W	651 (70÷990)	977 (160÷1.560)	1.440 (780÷2.000)	2.130 (300÷3.100)	
Rated current input	Cooling (Min.=Max.)	A	2,73 (0,35÷4,78)	4,37 (0,60÷7,20)	6,70 (2,40÷9,00)	7,67 (1,80÷13,9)	
	Eating (Min.=Max.)	A	2,83 (0,32÷4,32)	4,24 (0,70÷6,78)	6,23 (3,40÷8,70)	7,70 (1,30÷13,5)	
Seasonal efficiency ¹	Cooling	Energy class	-	A+++	A+++	A++	A++
		Design load (Pdesign)	kW	2,60	3,50	5,30	7,00
		SEER	-	8,80	8,50	7,00	6,40
		Annual energy consumption	kWh/a	103	144	265	383
	Average season	Energy class	-	A++	A++	A+	A+
		Design load (Pdesign)	kW	2,40	2,60	4,20	4,90
		SCOP	-	4,60	4,60	4,00	4,00
		Annual energy consumption	kWh/a	730	791	1.470	1.715
Warmer season	Energy class	-	A+++	A+++	A+++	A+++	
	SCOP	-	6,00	6,00	5,10	5,10	
Standard efficiency ²	EER	-	4,20	3,50	3,40	3,33	
	COP	-	4,50	3,90	3,76	3,76	

Indoor unit			IMA1-Y	27M	35M	53M	70M
Article code				89682314	89682313	89682315	89682312
Dimensions	Unit	L x D x H	mm	802x200x295	802x200x295	969x241x320	1083x244x336
	Packaging	L x D x H	mm	875x285x380	875x285x380	1045x315x405	1155x315x415
System weight	Unit/Packaging		kg	8,7/11,5	8,7/11,5	11,2/14,6	13,6/17,3
Air filter	Type		-	PUF	PUF	PUF	PUF
Airflow		Hi/Mid/Lo	m ³ /h	510/360/300	520/370/310	800/600/500	1090/770/610
Dehumidification capacity			l/h	1,00	1,20	1,80	2,70
Sound power		Hi	dB(A)	54	55	56	62
Sound pressure level		Hi/Mid/Lo	dB(A)	37/31/22	39/33/22	41/37/31	46/37/35
Control systems	Infrared remote control		-	RG10A4-D2S-BGEF	RG10A4-D2S-BGEF	RG10A4-D2S-BGEF	RG10A4-D2S-BGEF
	Settable temperature		°C	16÷30	16÷30	16÷30	16÷30
Power supply	Voltage/Frequency/Phases		V/Hz/n°	230 / 50 / 1	230 / 50 / 1	230 / 50 / 1	230 / 50 / 1

Outdoor unit			MMA1-Y	27M	35M	53M	70M
Article code				89682319	89682321	89682320	89682318
Dimensions	Unit	L x D x H	mm	765x303x555	765x303x555	805x330x554	890x342x673
	Packaging	L x D x H	mm	887x337x610	887x337x610	915x370x615	995x398x740
System weight	Unit/Packaging		kg	26,4/28,8	26,4/28,8	33,5/36,1	43,9/46,9
Sound power		Nominal	dB(A)	58	61	65	67
Sound pressure level		Nominal	dB(A)	54	55	57	60
Operating range	Cooling	Indoor T.	°C	16÷32	16÷32	16÷32	16÷32
		Outdoor T.	°C	-15÷50	-15÷50	-15÷50	-15÷50
	Heating	Indoor T.	°C	0÷30	0÷30	0÷30	0÷30
		Outdoor T.	°C	-20÷24	-20÷24	-15÷24	-15÷24
Refrigerant	Type/GWP		-	R-32 / 675	R-32 / 675	R-32 / 675	R-32 / 675
Power supply	Voltage/Frequency/Phases		V/Hz/n°	230 / 50 / 1	230 / 50 / 1	230 / 50 / 1	230 / 50 / 1

¹ SEER and SCOP data, relative energy ratings and annual energy consumption in conformity to the EN 14825 standard measurement.
² EER/COP values declared only for tax deductions in force at the time this document was written.
 CCF = Cold Catalyst Fan speed: Hi=High; Mid=Medium; Lo=Low; Si=Silent

Test conditions: according to EN14511 / EN12102
 Cooling: indoor air temperature 27°C DB/19°C WB; outdoor air temperature 35°C DB/24°C WB;
 Heating: indoor air temperature 20°C DB/15°C WB; outdoor air temperature 7°C DB/6°C WB.
 Data declared according to UE 626/2011 delegated regulation

refrigerant piping and connections

Set			27M	35M	53M	70M
Max equivalent length		V/Hz/n°	25	25	30	50
Max difference in level ODU / IDU		no. of cables	±10	±10	±20	±25
Refrigerant precharge		V/Hz/n°	0,62 / 5	0,62 / 5	1,10 / 5	1,45 / 5
External diameters	Liquid	no. of cables	Φ6,35 - 1/4"	Φ6,35 - 1/4"	Φ6,35 - 1/4"	Φ9,52 - 3/8"
	Gas	no. of cables	Φ9,52 - 3/8"	Φ9,52 - 3/8"	Φ12,7 - 1/2"	Φ15,9 - 5/8"

electrical connections

Set			27M	35M	53M	70M
ODU	Power supply	V/Hz/n°	230 / 50 / 1	230 / 50 / 1	230 / 50 / 1	230 / 50 / 1
		no. of cables	2 + G	2 + G	2 + G	2 + G
IDU	Power supply	V/Hz/n°	230 / 50 / 1	230 / 50 / 1	230 / 50 / 1	230 / 50 / 1
		no. of cables	2 + G	2 + G	2 + G	2 + G
	Signal	no. of cables	2	2	2	2

accessories

Standard

RG10A-D2S-BGEF	Infrared remote control for CERVINO / CRISTALLO 2 / EZCOOL / BOX 2 / CONSOLE 3 / DUCT 3 / DUCT 2 / C&F 2 indoor units
NWMX	Wi-fi kit for indoor units

Optionals

MKSS2X	Multifunction board that makes the indoor unit available for Remote ON / OFF, Alarm port and XYE Port (required for connection of Wired controller, Centralized wired controller, Data Converter, BMS Gateway) <i>The ON-OFF/Alarm/XYE/Wi-Fi port functions can be used simultaneously</i>
Control Systems	(see dedicated section)

technical data ODU NV*

Set		27M NV		35M NV	
Cooling capacity	Nominal (Min.÷Max.)	Btu/h	9.000 (2.800÷12.500)	12.000 (3.000÷16.200)	
	Nominal (Min.÷Max.)	kW	2,64 (0,82÷3,66)	3,52 (0,88÷4,75)	
Heating capacity	Nominal (Min.÷Max.)	Btu/h	10.000 (2.700÷15.000)	13.000 (2.700÷22.200)	
	Nominal (Min.÷Max.)	kW	2,93 (0,79÷4,40)	3,81 (0,79÷6,51)	
Standard power supply	Cooling (Min.÷Max.)	W	577 (60÷1.200)	879 (60÷1.590)	
	Heating (Min.÷Max.)	W	623 (75÷1.400)	929 (130÷2.195)	
Rated current input	Cooling (Min.÷Max.)	A	2,50 (0,30÷5,20)	3,81 (0,30÷7,00)	
	Heating (Min.÷Max.)	A	2,70 (0,32÷6,08)	4,03 (0,60÷9,50)	
Seasonal efficiency ¹	Cooling	Energy class	-	A+++	A+++
		Design load (Pdesign)	kW	2,80	3,50
		SEER	-	8,50	8,50
		Annual energy consumption	kWh/a	115	145
	Heating	Energy class	-	A++	A++
		Design load (Pdesign)	kW	2,50	2,60
		SCOP	-	4,60	4,60
		Annual energy consumption	kWh/a	737	791
	Warmer season	Energy class	-	A+++	A+++
		SCOP	-	5,90	5,90
Nominal efficiency ²	EER	-	4,57	4,00	
	COP	-	4,70	4,10	

* Please refer to the previous page for technical data on the indoor unit.

Outdoor unit		MMA1-Y	27M NV	35M NV
Article code			62242522	62242523
Dimensions	Unit	L x P x A	mm	765x303x555
	Packaging	L x P x A	mm	887x337x610
System weight	Unit/Packaging		kg	29,5/31,9
Sound power		Nominal	dB(A)	55
		Nominal	dB(A)	57
Operating range	Cooling	Indoor T.	°C	16÷32
		Outdoor T.	°CBS	-15÷50
	Heating	Indoor T.	°C	0÷30
		Outdoor T.	°CBU	-25÷24
Refrigerant	Type/GWP		-	R-32 / 675
Power supply	Voltage/Frequency/Phases		V/Hz/n°	230 / 50 / 1

¹ SEER and SCOP data, relative energy ratings and annual energy consumption in conformity to the EN 14825 standard measurement.

² EER/COP values declared only for tax deductions in force at the time this document was written.

CCF = Cold Catalyst Fan speed: Hi=High; Mid=Medium; Lo=Low; Si=Silent

Test conditions: according to EN14511 / EN12102

Cooling: indoor air temperature 27°C DB/19°C WB; outdoor air temperature 35°C DB/24°C WB;

Heating: indoor air temperature 20°C DB/15°C WB; outdoor air temperature 7°C DB/6°C WB.

Data declared according to UE 626/2011 delegated regulation

refrigerant piping and connections

Set		27M NV	35M NV
Max equivalent length	m	25	25
Max difference in level ODU / IDU	m	±10	±10
Refrigerant precharge	kg / m	0,62 / 5	0,62 / 5
External diameters	Liquid	mm / inch	Φ6,35 - 1/4"
	Gas	mm / inch	Φ9,52 - 3/8"

electrical connections

Set			27M NV	35M NV
ODU	Power supply	V/Hz/n°	230 / 50 / 1	230 / 50 / 1
		no. of cables	2 + G	2 + G
IDU	Power supply	V/Hz/n°	230 / 50 / 1	230 / 50 / 1
		no. of cables	2 + G	2 + G
	Signal	no. of cables	2	2

EZCOOL 27M ÷ 70M

MONOSplit



26
dB(A)



SINGLE Split with hiwall indoor unit

WHY CHOOSE EZCOOL?

- ✓ Silent operation with low power consumption
- ✓ Option of Smart management: via smartphone with the NetHome Plus App and set up for voice control with Amazon Alexa and Google Assistant
- ✓ SINGLE Split/MULTI Split compatible

FOLLOW-ME FUNCTION

The system gives priority to the temperature sensor in the remote control and adjusts itself accordingly.



1. Standard temperature sensor
2. Temperature sensor can be activated

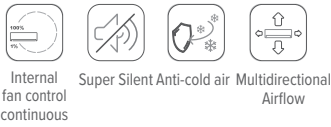
MONOSplit

CONTROL BY SMARTPHONE

With an optional accessory, you can adjust the temperature, ON/OFF and timer of the unit from your smartphone.



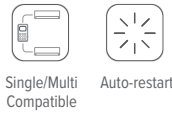
COMFORT



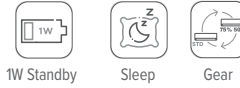
RELIABILITY



CONVENIENCE



ENERGY SAVING



HEALTH



MONOSplit



technical data

Set		27M	35M	53M	70M		
Cooling capacity	Standard (Min.=Max.)	Btu/h 9.000 (3.100÷11.600)	11.000 (3.800÷11.500)	18.000 (11.570÷20.130)	20.070 (7.200÷28.000)		
	Standard (Min.=Max.)	kW 2,64 (0,91÷3,40)	3,22 (1,11÷3,96)	5,27 (3,40÷5,90)	5,88 (2,11÷8,20)		
Heating capacity	Standard (Min.=Max.)	Btu/h 9.200 (2.800÷11.500)	11.900 (3.700÷14.300)	18.400 (10.580÷19.960)	22.730 (5.300÷28.000)		
	Standard (Min.=Max.)	kW 2,70 (0,82÷3,37)	3,49 (1,08÷4,19)	5,39 (3,10÷5,85)	6,66 (1,55÷8,20)		
Standard power supply	Cooling (Min.=Max.)	W 800 (100÷1.240)	998 (84÷1.600)	1.550 (560÷2.050)	1.765 (420÷3.200)		
	Eating (Min.=Max.)	W 720 (120÷1.200)	930 (165÷1.500)	1.440 (780÷2.000)	2.130 (300÷3.100)		
Rated current input	Cooling (Min.=Max.)	A 3,48 (0,40÷5,40)	4,30 (0,80÷7,30)	6,70 (2,40÷9,00)	7,67 (1,80÷13,9)		
	Eating (Min.=Max.)	A 3,10 (0,50÷5,20)	4,10 (1,35÷6,90)	6,23 (3,40÷8,70)	7,70 (1,30÷13,5)		
Seasonal efficiency ¹	Cooling	Energy class	-	A++	A++	A++	
		Design load (Pdesign)	kW	2,60	3,20	5,30	7,00
		SEER	-	7,00	7,10	7,00	6,40
	Heating	Annual energy consumption	kWh/a	130	158	265	383
		Energy class	-	A+	A+	A+	A+
		Design load (Pdesign)	kW	2,30	2,80	4,20	4,90
Average season	SCOP	-	4,10	4,10	4,00	4,00	
	Annual energy consumption	kWh/a	803	958	1.470	1.715	
Warmer season	Heating	Energy class	-	A+++	A+++	A+++	
	SCOP	-	5,10	5,20	5,10	5,10	
Standard efficiency ²	EER	-	3,30	3,23	3,40	3,33	
	COP	-	3,74	3,75	3,76	3,76	

Indoor unit		ILA1-Y	27M	35M	53M	70M	
Article code			89472265	89472270	89472264	89472267	
Dimensions	Unit	L x D x H	mm	726x210x291	802x200x295	969x241x320	1083x244x336
	Packaging	L x D x H	mm	790x270x375	875x285x380	1045x315x405	1155x315x415
System weight	Unit/Packaging		kg	7,70/9,90	8,20/10,9	11,2/14,6	13,6/17,3
Air filter	Type		-	CCF	CCF	CCF	
Airflow		Hi/Mid/Lo	m ³ /h	460/330/260	570/490/450	800/600/500	1090/770/610
Dehumidification capacity			l/h	1,00	1,20	1,80	2,70
Sound power		Hi	dB(A)	52	56	56	62
Sound pressure level		Hi/Mid/Lo	dB(A)	37/32/25	41/38/24	41/37/31	46/37/35
Control systems	Infrared remote control		-	RG10A4-D2S-BGEF	RG10A4-D2S-BGEF	RG10A4-D2S-BGEF	RG10A4-D2S-BGEF
	Settable temperature		°C	16÷30	16÷30	16÷30	16÷30
Power supply	Voltage/Frequency/Phases		V/Hz/n°	230 / 50 / 1	230 / 50 / 1	230 / 50 / 1	230 / 50 / 1

Outdoor unit		MLA1-Y	27M	35M	53M	70M	
Article code			88292245	88292244	88292242	88292243	
Dimensions	Unit	L x D x H	mm	720x270x495	720x270x495	805x330x554	890x342x673
	Packaging	L x D x H	mm	835x300x540	835x300x540	915x370x615	995x398x740
System weight	Unit/Packaging		kg	21,0/22,8	21,0/22,8	33,5/36,1	43,9/46,9
Sound power		Nominal	dB(A)	60	64	65	67
Sound pressure level		Nominal	dB(A)	55	55	57	60
Operating range	Cooling	Indoor T.	°C	16÷32	16÷32	16÷32	16÷32
		Outdoor T.	°CBS	-15÷50	-15÷50	-15÷50	-15÷50
	Heating	Indoor T.	°C	0÷30	0÷30	0÷30	0÷30
		Outdoor T.	°CBU	-15÷24	-15÷24	-15÷24	-15÷24
Refrigerant	Type/GWP		-	R-32 / 675	R-32 / 675	R-32 / 675	R-32 / 675
Power supply	Voltage/Frequency/Phases		V/Hz/n°	230 / 50 / 1	230 / 50 / 1	230 / 50 / 1	230 / 50 / 1

¹ SEER and SCOP data, relative energy ratings and annual energy consumption in conformity to the EN 14825 standard measurement.
² EER/COP values declared only for tax deductions in force at the time this document was written.
 CCF = Cold Catalyst Fan speed: Hi=High; Mid=Medium; Lo=Low; Si=Silent

Test conditions: according to EN14511 / EN12102
 Cooling: indoor air temperature 27°C DB/19°C WB; outdoor air temperature 35°C DB/24°C WB;
 Heating: indoor air temperature 20°C DB/15°C WB; outdoor air temperature 7°C DB/6°C WB.
 Data declared according to UE 626/2011 delegated regulation

refrigerant piping and connections

Set			27M	35M	53M	70M
Max equivalent length	V/Hz/n°		25	25	30	50
Max difference in level ODU / IDU	no. of cables		±10	±10	±20	±25
Refrigerant precharge	V/Hz/n°		0,55 / 5	0,55 / 5	1,10 / 5	1,45 / 5
External diameters	Liquid	no. of cables	Φ6,35 - 1/4"	Φ6,35 - 1/4"	Φ6,35 - 1/4"	Φ9,52 - 3/8"
	Gas	no. of cables	Φ9,52 - 3/8"	Φ9,52 - 3/8"	Φ12,7 - 1/2"	Φ15,9 - 5/8"

electrical connections

Set			27M	35M	53M	70M
ODU	Power supply	V/Hz/n°	230 / 50 / 1	230 / 50 / 1	230 / 50 / 1	230 / 50 / 1
		no. of cables	2 + G	2 + G	2 + G	2 + G
IDU	Power supply	V/Hz/n°	230 / 50 / 1	230 / 50 / 1	230 / 50 / 1	230 / 50 / 1
		no. of cables	2 + G	2 + G	2 + G	2 + G
	Signal	no. of cables	2	2	2	2

accessories

Standard

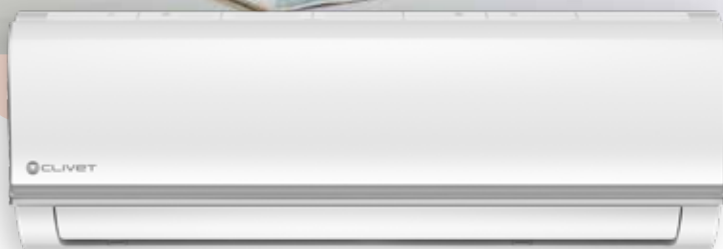
RG10A-D2S-BGEF Infrared remote control for CERVINO / CRISTALLO 2 / EZCOOL / BOX 2 / CONSOLE 3 / DUCT 3 / DUCT 2 / C&F 2 indoor units

Optionals

NWMX Wi-Fi kit for indoor units



25
dB(A)



SINGLE Split / MULTI Split with Hiwall indoor unit

WHY CHOOSE NATIV?

- ✓ Full range: SINGLE Split 9.000 ÷ 24.000 Btu/h, MULTI Split 9.000 ÷ 24.000 Btu/h
- ✓ SINGLE Split/MULTI Split Compatible
- ✓ Optional: Wi-Fi for the remote management with NetHome Plus application for Android and iOS

MULTI-DIRECTIONAL AIRFLOW

The air conditioning unit can distribute the flow of air in multiple directions: to better direct the flow within the room, it electronically adjusts the direction of the louvers both horizontally and vertically.



The standard control can be used to easily set the desired louver position.



MONOSplit

FOLLOW-ME FUNCTION

The system gives priority to the temperature sensor in the remote control and adjusts itself accordingly.



1. Standard temperature sensor
2. Temperature sensor can be activated

CONTROL BY SMARTPHONE

Thanks to an optional accessory, it is possible to set the temperature, on/off and timer of the unit from the smartphone.



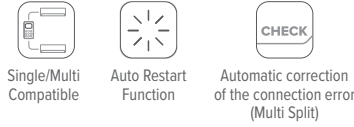
COMFORT



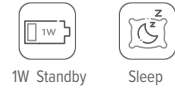
RELIABILITY



CONVENIENCE



ENERGY SAVING



HEALTH



OPTIONAL



technical data

Set			27M	35M	53M	70M	
Cooling capacity	Standard (Min.~Max.)	Btu/h	9,000 (3,100÷11,600)	12,000 (3,800÷14,200)	18,000 (4,200÷19,900)	24,000 (7,100÷27,000)	
	Standard (Min.~Max.)	kW	2,64 (0,91÷3,40)	3,52 (1,11÷4,20)	5,27 (1,22÷5,83)	7,03 (2,08÷7,91)	
Heating capacity	Standard (Min.~Max.)	Btu/h	10,000 (2,800÷11,500)	13,000 (3,700÷14,400)	19,000 (4,600÷20,000)	25,000 (5,500÷27,000)	
	Standard (Min.~Max.)	kW	2,93 (0,82÷3,70)	3,81 (1,09÷4,22)	5,57 (1,35÷5,85)	7,33 (1,61÷7,91)	
Standard power input	Cooling (Min.~Max.)	W	732 (100÷1,240)	1,213 (130÷1,580)	1,550 (560÷2,050)	2,600 (420÷3,150)	
	Heating (Min.~Max.)	W	733 (120÷1,200)	1,088 (100÷1,680)	1,570 (780÷2,000)	2,400 (300÷2,750)	
Rated current input	Cooling (Min.~Max.)	A	3,18 (0,40÷5,40)	5,27 (0,50÷6,90)	6,70 (2,40÷8,90)	11,5 (1,80÷13,8)	
	Heating (Min.~Max.)	A	3,18 (0,50÷5,20)	4,73 (0,40÷6,90)	6,80 (3,40÷8,70)	11,0 (1,30÷12,2)	
Seasonal efficiency ¹	Cooling	Energy efficiency class	-	A++	A++	A++	A++
		Design load (Pdesign)	kW	2,80	3,60	5,20	7,00
		SEER	-	6,30	6,10	7,40	6,10
		Annual energy consumption	kWh/a	156	211	247	405
	Average season	Energy efficiency class	-	A+	A+	A+	A+
		Design load (Pdesign)	kW	2,60	2,70	4,10	4,80
		SCOP	-	4,00	4,00	4,00	4,00
		Annual energy consumption	kWh/a	910	945	1,435	1,680
	Warmer season	Energy efficiency class	-	A+++	A+++	A+++	A+++
		SCOP	-	5,10	5,10	5,10	4,80
Standard efficiency ²	EER	-	3,60	3,28	3,54	3,28	
	COP	-	3,92	3,71	3,83	3,73	

Indoor unit			IZ2-Y	27M	35M	53M	70M
Item Code			89472260	89472262	89472261	89472263	89472263
Dimensions	Unit	L x P x A	mm	805x194x285	805x194x285	957x213x302	1040x220x327
	Packaging	L x P x A	mm	870x270x365	870x270x365	1035x295x385	1120x315x405
Weight	Unit/Packaging		kg	7,60/9,70	7,60/9,80	10,0/13,0	12,3/15,8
Air filter	Type				CCF		
Airflow		Hi/Mid/Lo	m ³ /h	466/360/325	540/430/314	840/680/540	980/817/662
Dehumidification capacity			l/h	1,00	1,20	1,80	2,70
Sound power level		Hi	dB(A)	54	55	56	59
Sound pressure level		Hi/Mid/Lo	dB(A)	39/32/25	41/35/25	43/36/26	45/41/36
Control systems	Infrared remote control				RG10A4-D-BGEF		
	Settable temperature		°C		17÷30		
Power supply	Voltage/Frequency/Phases		V/Hz/n°		230 / 50 / 1		

Outdoor unit			MZ2-Y	27M	35M	53M	70M
Item Code			89092202	88072202	88062295	88072200	88072200
Dimensions	Unit	L x P x A	mm	720x270x495	720x270x495	805x330x554	890x342x673
	Packaging	L x P x A	mm	835x300x540	835x300x540	915x370x615	995x398x740
Weight	Unit/Packaging		kg	23,2/25,0	23,2/25,0	32,7/35,4	42,9/45,9
Sound power level		Nominal	dB(A)	62	63	63	67
Sound pressure level		Nominal	dB(A)	56	56	56	59
Operating range	Cooling	Indoor T.	°C			17÷32	
		Outdoor T.	°CBS			-15÷50	
	Heating	Indoor T.	°C			0÷30	
		Outdoor T.	°CBU			-15÷30	
Refrigerant	Type/GWP				R-32 / 675		
Power supply	Voltage/Frequency/Phases		V/Hz/n°		230 / 50 / 1		

¹SEER and SCOP data, relative energy ratings and annual energy consumption in conformity to the EN 14825 standard measurement.
CCF = Cold Catalyst
Fan speed: Hi=High; Mid=Medium; Lo=Low; Si=Silent

Test conditions:
according to EN14511 / EN12102
Cooling: indoor air temperature 27°C DB/19°C WB; outdoor air temperature 35°C DB/24°C WB;
Heating: indoor air temperature 20°C DB/15°C WB; outdoor air temperature 7°C DB/6°C WB.
Data declared according to UE 626/2011 delegated regulation

refrigerant piping and connections

Set			27M	35M	53M	70M
Max equivalent length		m	25	25	30	50
Max difference in level ODU / IDU		m	10	10	20	25
Refrigerant precharge		kg / m	0,55 / 5	0,55 / 5	1,08 / 5	1,42 / 5
External diameters	Liquid	mm / inch	Φ6,35 - 1/4"	Φ6,35 - 1/4"	Φ6,35 - 1/4"	Φ9,52 - 3/8"
	Gas	mm / inch	Φ9,52 - 3/8"	Φ9,52 - 3/8"	Φ12,7 - 1/2"	Φ15,9 - 5/8"

electrical connections

Set			27M	35M	53M	70M
ODU	Power supply	V/Hz/n°	230 / 50 / 1	230 / 50 / 1	230 / 50 / 1	230 / 50 / 1
		no. of cables	2 + G	2 + G	2 + G	2 + G
IDU	Power supply	V/Hz/n°	230 / 50 / 1	230 / 50 / 1	230 / 50 / 1	230 / 50 / 1
		no. of cables	2 + G	2 + G	2 + G	2 + G
	Signal	no. of cables	2	2	2	2

MONOSplit

accessories

Standard

RG10A-D2S-BGEF Standard Wireless remote control fo indoor units CRISTALLO 2 / CRISTALLO / ESSENTIAL 2 / NATIV

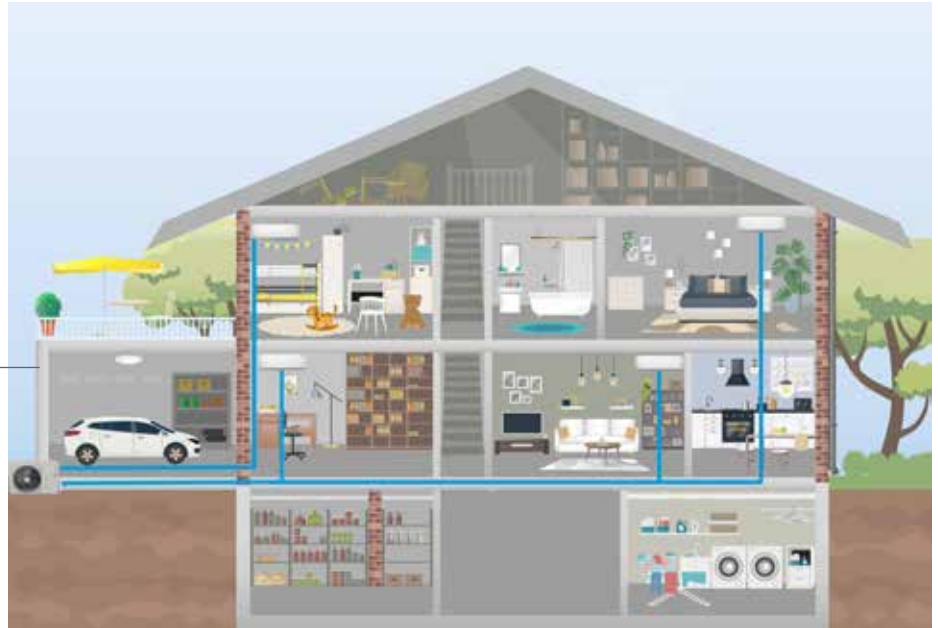
Optionals

Control systems [\(learn more at Control System page\)](#)

MultiSplit

MULTISplit

Space-saving solution ideal for air conditioning multiple rooms.

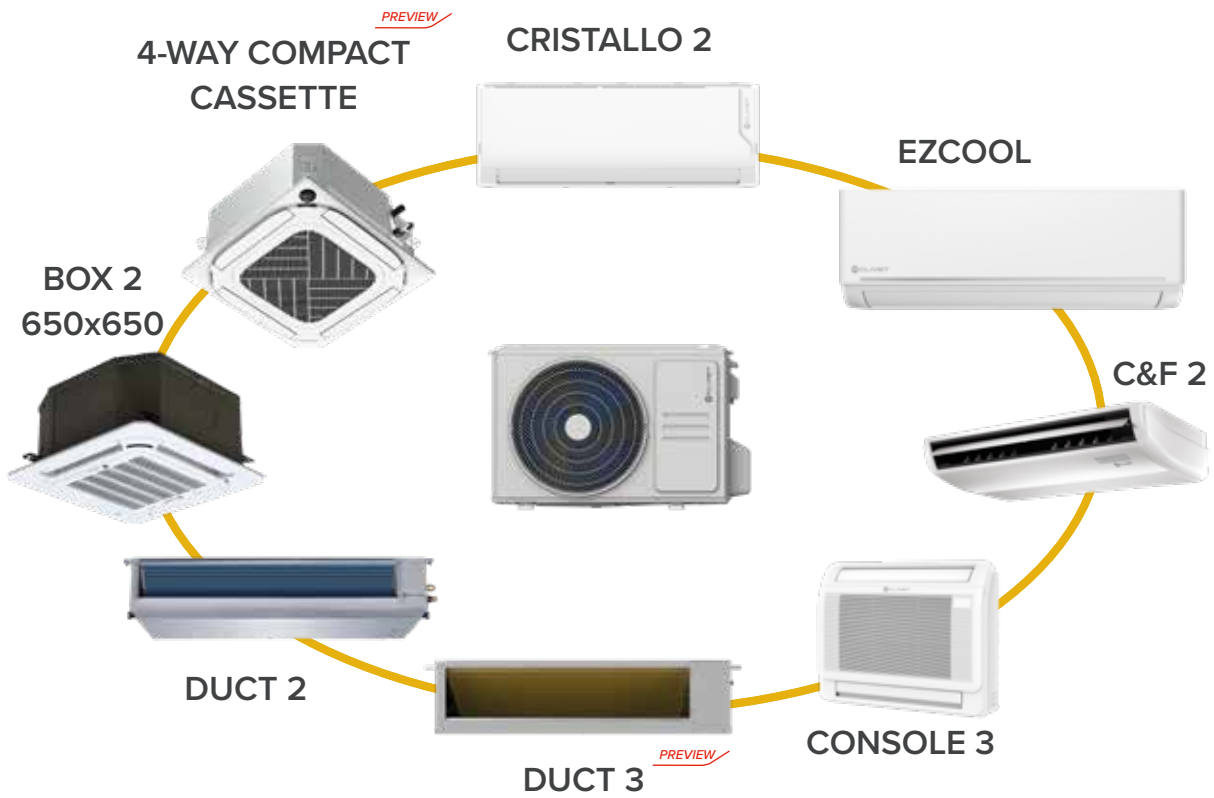


OUTDOOR/INDOOR UNIT COMBINATION

UNIT OUTDOOR	ENERGY CLASS ¹		WALL MOUNTED INTERNAL UNIT								CASSETTE CONSOLE INDOOR UNIT		
			CRISTALLO 2 IMA1-Y				EZCOOL ILA1-Y				CONSOLE 3 IC3-Y		
			27M	35M	53M	70M	27M	35M	53M	70M	27M	35M	53M
MU2-Y 41M			•	•	•	-	•	•	•	-	•	•	•
MU2-Y 53M			•	•	•	-	•	•	•	-	•	•	•
<i>PREVIEW</i> MU2-Y 53M-3			•	•	•	-	•	•	•	-	•	•	•
MU2-Y 61M			•	•	•	-	•	•	•	-	•	•	•
MU2-Y 79M			•	•	•	-	•	•	•	-	•	•	•
MU2-Y 82M			•	•	•	-	•	•	•	-	•	•	•
MU2-Y 105M			•	•	•	•	•	•	•	•	•	•	•
MU2-Y 125M			•	•	•	•	•	•	•	•	•	•	•

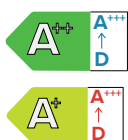
¹Energy Classes for a 100% combination of the nominal load. For the complete technical data of the combinations, refer to the Combination Tables

COMPLETE RANGE OF INDOOR UNITS



MULTISplit

COMPACT CASSETTE INDOOR UNIT 650x650						DUCTABLE INDOOR UNITS								INDOOR UNITS ceiling / floor
COMPACT 4-WAY CASSETTE IBA1-Y			BOX 650x650 IB3-XY			DUCT 3 IDA-Y				DUCT 2 ID3-XY				C&F 2 IF3-XY
27M	35M	53M	27M	35M	53M	27M	35M	53M	70M	27M	35M	53M	70M	53M
•	•	•	•	•	•	•	•	•	-	•	•	•	-	•
•	•	•	•	•	•	•	•	•	-	•	•	•	-	•
•	•	•	•	•	•	•	•	•	-	•	•	•	-	•
•	•	•	•	•	•	•	•	•	-	•	•	•	-	•
•	•	•	•	•	•	•	•	•	-	•	•	•	-	•
•	•	•	•	•	•	•	•	•	•	•	•	•	•	•
•	•	•	•	•	•	•	•	•	•	•	•	•	•	•
•	•	•	•	•	•	•	•	•	•	•	•	•	•	•



Outdoor unit for MULTISplit systems

WHY CHOOSE OUTDOOR UNIT-SM 2?

- ✓ From 1 up to 5 connectable indoor units, also of different types
- ✓ Rapid installation: automatic correction of the connection errors
- ✓ Extremely extended operating ranges: Heating $-15^{\circ}\text{C} \div +24^{\circ}\text{C}$; Cooling $-15^{\circ}\text{C} \div +50^{\circ}\text{C}$

COMFORT CONVENIENCE RELIABILITY



7 Outdoor Fan Speeds Levels



Automatic correction of the connection errors



Opposite fan rotation



MU2-Y (41M=53M)



MU2-Y (61M=79M)

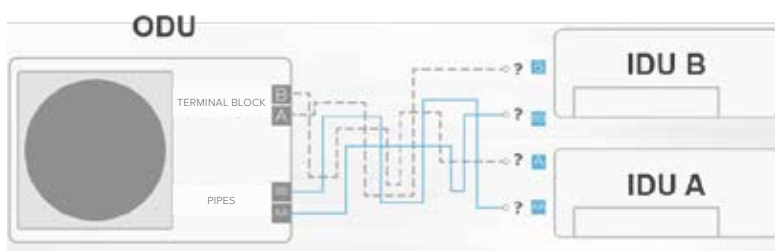


MU2-Y (82M=125M)

AUTOMATIC CORRECTION FUNCTION OF PIPING/WIRING ERRORS

The unit reassigns the communication, correcting any wiring errors.

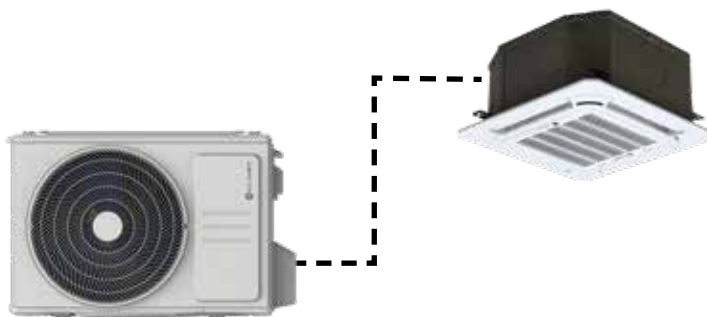
Note: Press the «CHECK» button for 5 seconds until «CE» appears on the display.



MULTISplit

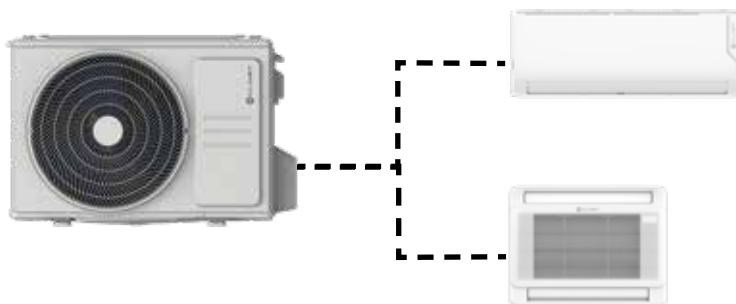
EVEN ONLY ONE COLLECTABLE IDU

Possibility to add more indoor units after the first installation.



ALSO DIFFERENT IDU

Possibility of installing different types of indoor units.



technical data

Outdoor unit		MU2-Y	41M	53M	53M-3 <small>PREVIEW</small>	61M	79M	82M	105M	125M
Code			87012281	89112242	62242521	89092251	89112265	89092231	89112261	89132206
Connectable Indoor Units		Min=Max	1=2 (DUAL)	1=2 (DUAL)	1=3 (TRIPLE)	1=3 (TRIPLE)	1=3 (TRIPLE)	1=4 (QUADRI)	1=4 (QUADRI)	1=5 (PENTA)
Cooling capacity	Nominal ¹ (Min=Max)	Btu/h	14.000 (5.000÷16.500)	18.000 (7.600÷19.000)	18.000 (7.000÷20.500)	21.000 (6.800÷22.500)	27.000 (10.200÷29.000)	28.000 (7.000÷33.600)	36.000 (7.000÷36.000)	42.000 (10.800÷42.000)
	Nominal ¹ (Min=Max)	kW	4,10 (1,47÷4,83)	5,30 (2,23÷5,57)	5,30 (2,05÷6,00)	6,20 (2,00÷6,59)	7,90 (3,00÷8,49)	8,20 (2,05÷9,84)	10,5 (2,05÷10,5)	12,3 (3,16÷12,3)
Heating capacity	Nominal ² (Min=Max)	Btu/h	15.000 (5.500÷16.500)	19.000 (8.000÷19.200)	18.000 (8.700÷19.500)	22.000 (4.900÷22.800)	28.000 (7.500÷29.000)	30.000 (8.000÷36.000)	37.000 (8.000÷38.000)	42.000 (11.500÷42.000)
	Nominal ² (Min=Max)	kW	4,40 (1,61÷4,83)	5,57 (2,34÷5,63)	5,30 (2,55÷5,71)	6,45 (1,45÷6,68)	8,20 (2,20÷8,50)	8,80 (2,34÷10,5)	10,8 (2,34÷11,1)	12,3 (3,37÷12,3)
Dimensions	Unit	L x D x H	mm	805x330x554	805x330x554	805x330x554	890x342x673	890x342x673	946x410x810	946x410x810
	Packaging	L x D x H	mm	915x370x615	915x370x615	950x370x615	1030x438x750	1030x438x750	1090x500x875	1090x500x875
Weight	Unit / Packaging	kg	31,6/34,7	35,0/38,0	36,2/39,4	43,3/47,1	48,0/51,8	62,1/67,7	68,8/75,6	73,3/80,4
Sound power	Nominal	dB(A)	65	65	64	68	68	69	70	70
Sound pressure level	Nominal	dB(A)	56	56	57	58	58	61	62	64
Operating	Cooling	Outdoor T.	°CBS	-15÷50	-15÷50	-15÷50	-15÷50	-15÷50	-15÷50	-15÷50
Voltage Range	Heating	Outdoor T.	°CBU	-15÷24	-15÷24	-15÷24	-15÷24	-15÷24	-15÷24	-15÷24
Refrigerant	Type/GWP			R-32 / 675	R-32 / 675	R-32 / 675	R-32 / 675	R-32 / 675	R-32 / 675	R-32 / 675
Power supply	Voltage/Frequency/Phases	V/Hz/n°	230 / 50 / 1	230 / 50 / 1	230 / 50 / 1	230 / 50 / 1	230 / 50 / 1	230 / 50 / 1	230 / 50 / 1	230 / 50 / 1

Note: Adapters for connection to the refrigerant piping with different diameters supplied as standard

according to EN14511 / EN12102

Cooling: indoor air temperature 27°C DB/19°C WB; outdoor air temperature 35°C DB/24°C WB;

Heating: indoor air temperature 20°C DB/15°C WB; outdoor air temperature 7°C DB/6°C WB.

Data declared according to UE 626/2011 delegated regulation

¹ Test conditions: indoor air temperature 27°C B.S./19°C B.U. - outdoor air temperature 35°C B.S./24°C B.U.

² Test conditions: indoor air temperature 20°C B.S./15°C B.U. - outdoor air temperature 7°C B.S./6°C B.U.

Test conditions:

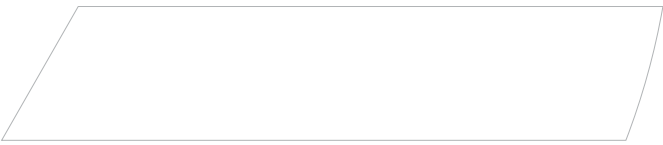
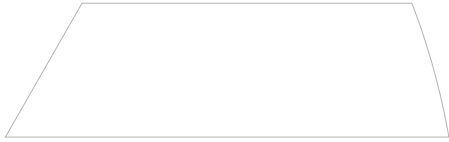
refrigerant piping and connections

Outdoor unit		41M	53M	53M-3 <small>PREVIEW</small>	61M	79M	82M	105M	125M
Max equivalent length (Total)	m	40	40	60	60	60	80	80	80
Max equivalent length (Each branch)	m	25	25	30	30	30	35	35	35
Max difference in level ODU / IDU	m	±15	±15	±15	±15	±15	±15	±15	±15
Max difference in level IDU / IDU	m	±10	±10	±10	±10	±10	±10	±10	±10
Refrigerant precharge	kg / m	1,10 / (2x7,5)	1,25 / (2x7,5)	1,5 / (3x7,5)	1,5 / (3x7,5)	1,85 / (3x7,5)	2,10 / (4x7,5)	2,10 / (4x7,5)	2,90 / (5x7,5)
External diameters (ODU)	Liquid	mm / inch	2 x (Φ6,35 - 1/4")	2 x (Φ6,35 - 1/4")	3 x (Φ6,35 - 1/4")	3 x (Φ6,35 - 1/4")	3 x (Φ6,35 - 1/4")	4 x (Φ6,35 - 1/4")	4 x (Φ6,35 - 1/4")
	Gas	mm / inch	2 x (Φ9,52 - 3/8")	2 x (Φ9,52 - 3/8")	3 x (Φ9,52 - 3/8")	3 x (Φ9,52 - 3/8")	3 x (Φ9,52 - 3/8")	+ 1 x (Φ12,7 - 1/2")	+ 1 x (Φ12,7 - 1/2")

Indoor unit		20M	27M	35M	53M	70M
External diameters (IDU)	Liquid	mm / inch	Φ6,35 - 1/4"	Φ6,35 - 1/4"	Φ6,35 - 1/4"	Φ9,52 - 3/8"
	Gas	mm / inch	Φ9,52 - 3/8"	Φ9,52 - 3/8"	Φ9,52 - 3/8"	Φ15,9 - 5/8"

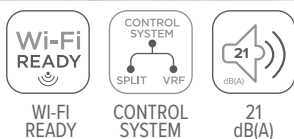
electrical connections

Set		41M	53M	53M-3 <small>PREVIEW</small>	61M	79M	82M	105M	125M
ODU	Power supply	V/Hz/n°	230 / 50 / 1	230 / 50 / 1	230 / 50 / 1	230 / 50 / 1	230 / 50 / 1	230 / 50 / 1	230 / 50 / 1
		no. of cables	2 + G	2 + G	2 + G	2 + G	2 + G	2 + G	2 + G
IDU	Power supply (for each IDU)	V/Hz/n°	230 / 50 / 1	230 / 50 / 1	230 / 50 / 1	230 / 50 / 1	230 / 50 / 1	230 / 50 / 1	230 / 50 / 1
		no. of cables	2 + G	2 + G	2 + G	2 + G	2 + G	2 + G	2 + G
	Signal (for each IDU)	no. of cables	1	1	1	1	1	1	1



CRISTALLO 2 27M ÷ 70M

MULTISplit



Hiwall indoor unit for MULTISplit systems

WHY CHOOSE CRISTALLO2?

- ✓ ALTODesign panel with strong but elegant lines, in matt finish with contrasting logo
- ✓ Purification filter: active against odours, dust, VOC, pollen, spores, bacteria
- ✓ Smart management as standard: via smartphone with the NetHome Plus App and voice control setup with Amazon Alexa and Google Assistant

MULTIDIRECTIONAL AIRFLOW

The air conditioning unit can channel the air flow in different directions to better direct the flow inside the environment



VOICE CONTROL



COMFORT



Stepless Indoor Fan Speed



Anti-cold air



Multidirectional Airflow

RELIABILITY



Self-diagnosis Function



Auto Defrosting

CONVENIENCE



Control Wi-Fi



Single/Multi Compatible



Voice control compatible



Auto-restart

ENERGY SAVING



Sleep

HEALTH



High Density filter



Cold Catalyst filter



Purification filter

OPTIONAL



Wired controller



Centralised control



BMS Communication



Remote On/Off



Wi-Fi NWMX (standard)



WIRED REMOTE CONTROL KJR-120N-12V (optional) (necessary kit MKSS2X)



WIRED REMOTE CONTROL KJR-120X2-TFBG-E (optional) (necessary kit MKSS2X)



REMOTE CONTROL RG10A-D2S-BGEF (standard)



IMA1-Y

technical data

Indoor unit			IMA1-Y	27M	35M	53M	70M
Code				89682314	89682313	89682315	89682312
Cooling capacity	Nominal		Btu/h	9.000	12.000	18.000	24.000
			kW	2,64	3,52	5,30	7,03
Heating capacity	Nominal		Btu/h	10.000	13.000	19.000	25.000
			kW	2,93	3,81	5,57	7,33
Dimensions	Unit	L x D x H	mm	802x200x295	802x200x295	969x241x320	1083x244x336
	Packaging	L x D x H	mm	875x285x380	875x285x380	1045x315x405	1155x315x415
Weight	Unit/Packaging		kg	8,7/11,5	8,7/11,5	11,2/14,6	13,6/17,3
Air filter	Type			PUF	PUF	PUF	PUF
Airflow			m ³ /h	510/360/300	520/370/310	800/600/500	1090/770/610
Sound power			dB(A)	54	55	56	62
Sound pressure level			dB(A)	37/31/22	39/33/22	41/37/31	46/37/35
Operating Voltage Range	Cooling	Indoor T	°C	17÷32	17÷32	17÷32	17÷32
	Heating	Indoor T	°C	0÷30	0÷30	0÷30	0÷30
Refrigerant piping	External diameters	Liquid-Gas	mm	Φ6,35 - Φ9,52	Φ6,35 - Φ9,52	Φ6,35 - Φ12,7	Φ9,52 - Φ15,9
			inch.	1/4" - 3/8"	1/4" - 3/8"	1/4" - 1/2"	3/8" - 5/8"
Control system	Infrared remote control		-	RG10A4-D2S-BGEF	RG10A4-D2S-BGEF	RG10A4-D2S-BGEF	RG10A4-D2S-BGEF
	Settable temperature		°C	16÷30	16÷30	16÷30	16÷30
Power supply	Voltage/Frequency/Phases		V/Hz/n°	230 / 50 / 1	230 / 50 / 1	230 / 50 / 1	230 / 50 / 1

Fan speed:
i=High; Mid=Medium; Lo=Low; Si=Silent
PUF= Purificator
Test conditions:

according to EN14511 / EN12102
Cooling: indoor air temperature 27°C DB/19°C WB; outdoor air temperature 35°C DB/24°C WB;
Heating: indoor air temperature 20°C DB/15°C WB; outdoor air temperature 7°C DB/6°C WB.
Data declared according to UE 626/2011 delegated regulation

accessories

Standard	
RG10A-D2S-BGEF	Infrared remote control for CERVINO / CRISTALLO 2 / EZCOOL / BOX 2 / CONSOLE 3 / DUCT 3 / DUCT 2 / C&F 2 indoor units
NWMX	Wi-fi kit for indoor units
Optionals	
MKSS2X	Multifunction board that makes the indoor unit available for Remote ON / OFF, Alarm port and XYE Port (required for connection of Wired controller, Centralized wired controller, Data Converter, BMS Gateway) <i>The ON-OFF/Alarm/XYE/Wi-Fi port functions can be used simultaneously</i>
Control Systems	(see dedicated section)



Hiwall indoor unit for MULTISplit systems

WHY CHOOSE EZCOOL?

- ✓ Silent operation with low power consumption
- ✓ Option of Smart management: via smartphone with the NetHome Plus App and set up for voice control with Amazon Alexa and Google Assistant
- ✓ SINGLE Split/MULTI Split compatible

FOLLOW-ME



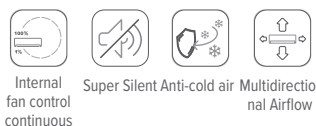
1. Standard temperature sensor
2. Temperature sensor can be activated

VOICE CONTROL



Optional

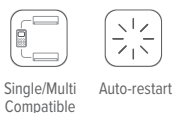
COMFORT



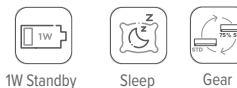
RELIABILITY



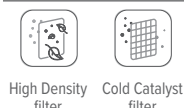
CONVENIENCE



ENERGY SAVING



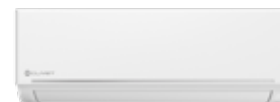
HEALTH



Wi-Fi
NWMX
(optional)



REMOTE CONTROL
RG10A-D2S-BGEF
(standard)



ILA1-Y

technical data

Indoor unit				ILA1-Y	27M	35M	53M	70M
Code					89472265	89472270	89472264	89472267
Cooling capacity	Nominal		Btu/h		9,000	12,000	18,000	24,000
			kW		2,64	3,52	5,30	7,03
Heating capacity	Nominal		Btu/h		10,000	13,000	19,000	25,000
			kW		2,93	3,81	5,57	7,33
Dimensions	Unit	L x D x H	mm	726x210x291	835x208x295	969x241x320	1083x244x336	
	Packaging	L x D x H	mm	790x270x375	905x290x355	1045x315x405	1155x315x415	
Weight	Unit/Packaging		kg	7,80/10,1	8,40/11,0	11,2/14,6	13,6/17,3	
Air filter	Type			-	CCF	CCF	CCF	CCF
Airflow			m ³ /h	451/325/255	575/493/454	800/600/500	1090/770/610	
Sound power			dB(A)	52	54	56	62	
Sound pressure level			dB(A)	37/29/26	38/29/25	41/37/31	46/37/35	
Operating Voltage Range	Cooling	Indoor T	°C	17÷32	17÷32	17÷32	17÷32	
	Heating	Indoor T	°C	0÷30	0÷30	0÷30	0÷30	
Refrigerant piping	External diameters	Liquid-Gas	mm	Φ6,35 - Φ9,52	Φ6,35 - Φ9,52	Φ6,35 - Φ12,7	Φ9,52 - Φ15,9	
			inch.	1/4" - 3/8"	1/4" - 3/8"	1/4" - 1/2"	3/8" - 5/8"	
Control system	Infrared remote control		-	RG10A4-D2S-BGEF	RG10A4-D2S-BGEF	RG10A4-D2S-BGEF	RG10A4-D2S-BGEF	
	Settable temperature		°C	16÷30	16÷30	16÷30	16÷30	
Power supply	Voltage/Frequency/Phases		V/Hz/n°	230 / 50 / 1	230 / 50 / 1	230 / 50 / 1	230 / 50 / 1	

Fan speed:
i=High; M=Medium; L=Low; S=Silent
CCF = Cold Catalyst
Test conditions:

according to EN14511 / EN12102
Cooling: indoor air temperature 27°C DB/19°C WB; outdoor air temperature 35°C DB/24°C WB;
Heating: indoor air temperature 20°C DB/15°C WB; outdoor air temperature 7°C DB/6°C WB.
Data declared according to UE 626/2011 delegated regulation

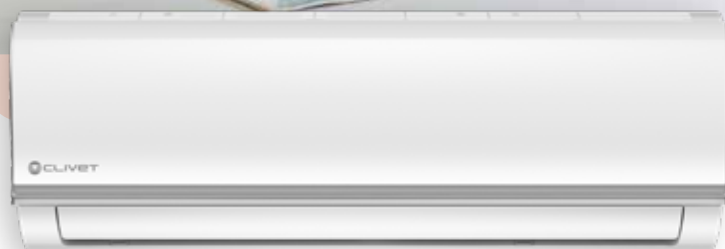
accessories

Standard	
RG10A-D2S-BGEF	Infrared remote control for CERVINO / CRISTALLO 2 / EZCOOL / BOX 2 / CONSOLE 3 / DUCT 3 / DUCT 2 / C&F 2 indoor units
Optionals	
NWMX	Wi-Fi kit for indoor units



25
dB(A)

▶A++
▶A+



SINGLE Split / MULTI Split reversible heat pump with Hiwall indoor unit

WHY CHOOSE NATIV?

- ✓ Full range: SINGLE Split 9.000 ÷ 24.000 Btu/h, MULTI Split 9.000 ÷ 24.000 Btu/h
- ✓ SINGLE Split/MULTI Split compatible
- ✓ Optional: Wi-Fi for the remote management with NetHome Plus application for Android and iOS

COMFORT



12-grades indoor Fan speed



Anti-cold air Function



Temperature compensation

RELIABILITY



Self-diagnosis Function



Auto defrosting

CONVENIENCE



Single/Multi Compatible



Louver Position Memory



Auto Restart Function



Automatic correction of the connection error (Multi Split)

ENERGY SAVING



Sleep mode

HEALTH



High Density Filter



Cold Catalyst Filter

OPTIONAL



WIFI Control



Wi-Fi NWMX (optional)



REMOTE CONTROL RG10A-D-BGEF (standard)



IZ2-XY

technical data

Indoor unit			IZ2-XY	27M	35M	53M	70M
Article code				89472260	89472262	89472261	89472263
Cooling capacity	Standard		Btu/h	9.000	12.000	18.000	24.000
			kW	2,64	3,52	5,30	7,03
Heating capacity	Standard		Btu/h	10.000	13.000	19.000	25.000
			kW	2,93	3,81	5,57	7,33
Dimensions	Unit	L x P x A	mm	805x194x285	805x194x285	957x213x302	1040x220x327
	Packaging	L x P x A	mm	870x270x365	870x270x365	1035x295x385	1120x315x405
Weight	Unit/Packaging		kg	7,60/9,70	7,60/9,80	10,0/13,0	12,3/15,8
Air filter	Type		-			CCF	
Airflow			m ³ /h	466/360/325	540/430/314	840/680/540	980/817/662
Sound power level			dB(A)	54	55	56	59
Sound pressure level			dB(A)	39/32/25	41/35/25	43/36/26	45/41/36
Operating range	Cooling	Indoor T.	°C			17÷32	
	Heating	Indoor T.	°C			0÷30	
Refrigerant piping	External diameters	Liquid-Gas	mm	Φ6,35 - Φ9,52	Φ6,35 - Φ9,52	Φ6,35 - Φ12,7	Φ9,52 - Φ15,9
			inch.	1/4" - 3/8"	1/4" - 3/8"	1/4" - 1/2"	3/8" - 5/8"
Control systems	Infrared remote control		-		RG10A4-D-BGEF		
	Settable temperature		°C		17÷30		
Power supply	Voltage/Frequency/Phases		V/Hz/n°			230 / 50 / 1	

¹SEER and SCOP data, relative energy ratings and annual energy consumption in conformity to the EN 14825 standard measurement.

CCF = Cold Catalyst

Fan speed: Hi=High; Mid=Medium; Lo=Low; Si=Silent

Test conditions:

according to EN14511 / EN12102

Cooling: indoor air temperature 27°C DB/19°C WB; outdoor air temperature 35°C DB/24°C WB;

Heating: indoor air temperature 20°C DB/15°C WB; outdoor air temperature 7°C DB/6°C WB.

Data declared according to UE 626/2011 delegated regulation

accessories

Standard

RG10A4-D-BGEF

Standard Wireless remote control fo indoor units CRISTALLO 2 / CRISTALLO / ESSENTIAL 2 / NATIV

Optionals

Control systems

(learn more at Control System page)



CONTROL SYSTEM



29 dB(A)

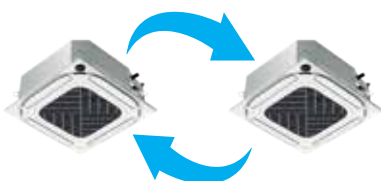
Compact Cassette indoor unit for MULTISplit systems

WHY CHOOSE 4-WAY COMPACT CASSETTE?

- ✓ MULTISplit/Light Commercial compatible
- ✓ Compact design for standard 600x600cm modules
- ✓ Integrated condensate discharge pump, 1000 mm H₂O of static pressure
- ✓ Panel that integrates perfectly into the ceiling frame

ROTATION AND BACKUP FUNCTION

Possibility of operating two units with the same wired remote control (accessory) in the 'Rotation and backup' mode



BUILD-IN DRAIN PUMP

Available pressure:
1000 mm H₂O



COMFORT



Anti-cold air

RELIABILITY



Self-diagnosis Function



Auto Defrosting



Condensate drain pump

CONVENIENCE



Remote On/Off



Error Alarm Port



Auto-restart



Timer

ENERGY SAVING



Sleep

HEALTH



Fresh Air

OPTIONAL



Wired controller



Centralised control



BMS Communication



WiFi Control



Wi-Fi NWMX (optional)



620X620 PANNEL T-MBQ4-03BD (mandatory accessory)



REMOTE CONTROL KJR-120N-12 V (optional)



REMOTE CONTROL RG10N2-D2S-BGEF (standard)



IBA1-Y

technical data

Indoor unit				IBA1-Y	27M	35M	53M
Code					62242525	62242524	62242526
Cooling capacity	Nominal		Btu/h	9.000	12.000	18.000	
			kW	2,64	3,52	5,30	
Heating capacity	Nominal		Btu/h	10.000	13.000	19.000	
			kW	2,93	4,10	5,40	
Dimensions	Unit	L x D x H	mm	570x570x245	570x570x245	570x570x245	
	Packaging (Unit)	L x D x H	mm	715x640x295	715x640x295	715x640x295	
	Panel	L x D x H	mm	620x620x50	620x620x50	620x620x50	
	Packaging (Panel)	L x D x H	mm	715x700x115	715x700x115	715x700x115	
Weight	Unit / Packaging		kg	14,6/17,5	16,1/18,8	16,2/19	
	Panel / Packaging		kg	2,7/4,3	2,7/4,3	2,7/4,3	
Air filter	Type		-	R/W	R/W	R/W	
Airflow		Hi/Mid/Lo	m ³ /h	500/460/400	620/520/330	660/540/300	
Sound power		Hi	dB(A)	52	55	59	
Sound pressure level		Hi/Mid/Lo	dB(A)	37/36/33	42/39/32	44/41/32	
Operating Voltage Range	Cooling	Indoor T	°C	17÷32	17÷32	17÷32	
	Heating	Indoor T	°C	0÷30	0÷30	0÷30	
Refrigerant piping	External diameters	Liquid-Gas	mm	Φ6,35 - Φ9,52	Φ6,35 - Φ9,52	Φ6,35 - Φ12,7	
			inch.	1/4" - 3/8"	1/4" - 3/8"	1/4" - 1/2"	
Control system	Infrared remote control		-	RG10N2-D2S-BGEF	RG10N2-D2S-BGEF	RG10N2-D2S-BGEF	
	Settable temperature		°C	16÷30	16÷30	16÷30	
Power supply	Voltage/Frequency/Phases		V/Hz/h [°]	230 / 50 / 1	230 / 50 / 1	230 / 50 / 1	

R/W = Removable/Washable

Test conditions:
according to EN14511 / EN12102

Cooling: indoor air temperature 27°C DB/19°C WB; outdoor air temperature 35°C DB/24°C WB;
Heating: indoor air temperature 20°C DB/15°C WB; outdoor air temperature 7°C DB/6°C WB.
Data declared according to UE 626/2011 delegated regulation

accessories

Standard

RG10A-D2S-BGEF

Infrared remote control for CERVINO / CRISTALLO 2 / EZCOOL / BOX 2 / CONSOLE 3 / DUCT 3 / DUCT 2 / C&F 2 indoor units

Optionals

T-MBQ4-03BD

Panel for 4-WAY COMPACT CASSETTE, 360° air delivery, round hole grill. (Mandatory accessory, to be selected separately)

NWMX

Wi-Fi kit for indoor units

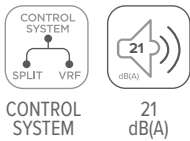
Control Systems

(see dedicated section)

BOX 2 650X650 27M ÷ 53M

AD ESAURIMENTO

MULTISplit



Cassette indoor unit for MULTISplit systems

WHY CHOOSE BOX 2 650x650?

- ✓ MULTISplit/Light Commercial compatible
- ✓ Compact design for standard 60x60cm modules
- ✓ Integrated condensate discharge pump, 750 mm H₂O of static pressure
- ✓ Predisposition to operate with a fresh air fraction

RESERVED REMOTE ON-OFF AND ALARM PORTS

Possibility to manage with an ON/OFF window contact and to activate a remote alarm (vibration, light, etc.)



BUILD-IN DRAIN PUMP

Available pressure:
750 mm H₂O



COMFORT



Anti-cold air

RELIABILITY



Self-diagnosis Function



Auto Defrosting



Condensate drain pump

CONVENIENCE



Remote On/Off



Error Alarm Port



Auto-restart



Timer

ENERGY SAVING



Sleep

HEALTH



Fresh Air

OPTIONAL



Wired controller



Centralised control



BMS Communication



WiFi Control



PANEL 650X650
T-MBQ4-03B4
(mandatory accessory)



Wi-Fi
WF-60A1-C
(optional)



WIRED REMOTE CONTROL
KJR-120N-12 V
(optional)



WIRED REMOTE CONTROL
KJR-120X2-TFBG-E
(optional)



REMOTE CONTROL
RG10A-D2S-BGEF
(standard)



IB3-XY

technical data

Indoor unit				IB3-XY	27M	35M	53M
Code					89112291	89102297	89102233
Cooling capacity	Nominal		Btu/h		9.000	12.000	18.000
			kW		2,64	3,52	5,30
Heating capacity	Nominal		Btu/h		10.000	14.000	18.500
			kW		2,93	4,10	5,40
Dimensions	Unit	L x D x H	mm		570x570x260	570x570x260	570x570x260
	Packaging (Unit)	L x D x H	mm		662x662x317	662x662x317	662x662x317
	Panel	L x D x H	mm		647x647x50	647x647x50	647x647x50
	Packaging (Panel)	L x D x H	mm		715x715x123	715x715x123	715x715x123
Weight	Unit / Packaging		kg		14,7/19,3	16,2/21,4	16,2/21,4
	Panel / Packaging		kg		2,50/4,50	2,50/4,50	2,50/4,50
Air filter	Type		-		R/W	R/W	R/W
Airflow		Hi/Mid/Lo	m ³ /h		580/500/450	617/504/415	680/560/500
Sound power		Hi	dB(A)		53	56	56
Sound pressure level		Hi/Mid/Lo	dB(A)		38/33/29	41/37/34	44/42/41
Operating Voltage Range	Cooling	Indoor T	°C		17÷32	17÷32	17÷32
	Heating	Indoor T	°C		0÷30	0÷30	0÷30
Refrigerant piping	External diameters	Liquid-Gas	mm		Φ6,35 - Φ9,52	Φ6,35 - Φ9,52	Φ6,35 - Φ12,7
			inch.		1/4" - 3/8"	1/4" - 3/8"	1/4" - 1/2"
Control system	Infrared remote control		-		RG10A-D2S-BGEF	RG10A-D2S-BGEF	RG10A-D2S-BGEF
	Settable temperature		°C		16÷30	16÷30	16÷30
Power supply	Voltage/Frequency/Phases		V/Hz/°		230 / 50 / 1	230 / 50 / 1	230 / 50 / 1

R/W = Removable/Washable

Test conditions:
according to EN14511 / EN12102

Cooling: indoor air temperature 27°C DB/19°C WB; outdoor air temperature 35°C DB/24°C WB;
Heating: indoor air temperature 20°C DB/15°C WB; outdoor air temperature 7°C DB/6°C WB.
Data declared according to UE 626/2011 delegated regulation

accessories

Standard

RG10A-D2S-BGEF

Infrared remote control for CERVINO / CRISTALLO 2 / EZCOOL / BOX 2 / CONSOLE 3 / DUCT 3 / DUCT 2 / C&F 2 indoor units

Optionals

T-MBQ4-03B4

Panel for Box 2 650x650, 360° air delivery, round hole grill. (Mandatory accessory, to be selected separately)

WF-60A1-C

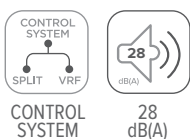
Smart port kit for the hiwall indoor unit management via Wi-Fi (it includes the adaptor and the USB key)

Control Systems

(see dedicated section)

DUCT 3 27M ÷ 70M

MULTISplit



Ductable indoor unit for MULTISplit systems

WHY CHOOSE DUCT 3?

- ✓ MULTISplit/Light Commercial compatible
- ✓ Constant airflow function: the fan adapts the static pressure to the pressure drops
- ✓ Air return from the back or from below modifiable directly from the building site
- ✓ Integrated condensate discharge pump, 1000 mm H₂O of static pressure
- ✓ Both horizontal and vertical installation (excluding sizes 27M and 35M)

BUILD-IN DRAIN PUMP

Available head:
1000 mm H₂O



FLEXIBLE INSTALLATION

The air intake can be modified in the building site:

- air intake from rear
- air intake from below



CONSTANT AIRFLOW CONTROL

With constant air volume control technology, optimal airflow cools every room appropriately with both short pipes and long pipes.



VERTICAL INSTALLATION

The unit can also be installed in a vertical position. Sizes 27M and 35M are excluded.



COMFORT



Anti-cold air

RELIABILITY



Self-diagnosis
Function



Auto
Defrosting



Condensate
drain pump

CONVENIENCE



Remote
On/Off



Error Alarm
Port



Auto-restart

ENERGY SAVING



Sleep

HEALTH



Fresh Air

OPTIONAL



Wired
controller



Centralised
control



BMS
Communication



WiFi Control

PREVIEW



WIRED REMOTE
CONTROL
KJR-120N-12 V
(optional)



REMOTE CONTROL
RG10A-D2S-BGEF
(standard)



IDA1-Y

technical data

Indoor unit			IDA1-Y	27M	35M	53M	70M
Code				62242513	62242512	62242514	62242516
Cooling capacity	Nominal		Btu/h	9,000	12,000	18,000	24,000
			kW	2,64	3,52	5,30	7,03
Heating capacity	Nominal		Btu/h	10,000	13,000	19,000	26,000
			kW	2,93	3,81	5,57	7,62
Dimensions	Unit	L x D x H	mm	700x506x200	700x506x200	700x750x245	1000x750x245
	Packaging	L x D x H	mm	860x540x285	860x540x285	925x850x298	1225x860x304
Weight	Unit/Packaging		kg	16,6/19,8	16,6/19,8	24,4/29	31,8/37,2
Air filter	Type		-	R/W	R/W	R/W	R/W
Airflow		Hi/Mid/Lo	m ³ /h	620/540/450	660/570/470	900/780/650	1.200/1.000/700
External static pressure		Std (Min=Max)	Pa	25 (0÷80)	25 (0÷100)	25 (0÷160)	25 (0÷160)
Sound power		Hi	dB(A)	57	58	60	56
Sound pressure level		Hi/Mid/Lo	dB(A)	40/35/28	41/38/34	41/38/34	34/34/31
Operating Voltage Range	Cooling	Indoor T	°C	17÷32	17÷32	17÷32	17÷32
	Heating	Indoor T	°C	0÷30	0÷30	0÷30	0÷30
Refrigerant piping	External diameters	Liquid-Gas	mm	Φ6,35 - Φ9,52	Φ6,35 - Φ9,52	Φ6,35 - Φ12,7	Φ9,52 - Φ15,9
			inch.	1/4" - 3/8"	1/4" - 3/8"	1/4" - 1/2"	3/8" - 5/8"
Control system	Infrared remote control		-	RG10A-D2S-BGEF	RG10A-D2S-BGEF	RG10A-D2S-BGEF	RG10A-D2S-BGEF
	Settable temperature		°C	16÷30	16÷30	16÷30	16÷30
Power supply	Voltage/Frequency/Phases		V/Hz/n°	230 / 50 / 1	230 / 50 / 1	230 / 50 / 1	230 / 50 / 1

R/W = Removable/Washable

Test conditions:
according to EN14511 / EN12102

Cooling: indoor air temperature 27°C DB/19°C WB; outdoor air temperature 35°C DB/24°C WB;
Heating: indoor air temperature 20°C DB/15°C WB; outdoor air temperature 7°C DB/6°C WB.
Data declared according to UE 626/2011 delegated regulation

accessories

Standard

RG10A-D2S-BGEF

Infrared remote control for CERVINO / CRISTALLO 2 / EZCOOL / BOX 2 / CONSOLE 3 / DUCT 3 / DUCT 2 / C&F 2 indoor units

Optionals

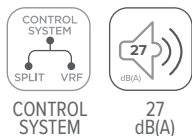
Control systems

(see dedicated section)

DUCT 2 27M ÷ 70M

AD ESAURIMENTO

MULTISplit



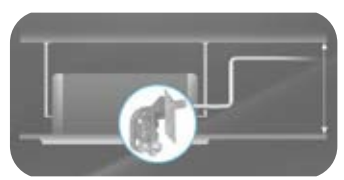
Ductable indoor unit for MULTISplit systems

WHY CHOOSE DUCT 2?

- ✓ MULTISplit/Light Commercial compatible
- ✓ Constant airflow function: the fan adapts the static pressure to the pressure drops
- ✓ Air return from the back or from below modifiable directly from the building site
- ✓ Integrated condensate discharge pump, 750 mm H₂O of static pressure

BUILD-IN DRAIN PUMP

Available pressure:
750 mm H₂O



FLEXIBLE INSTALLATION

The air intake can be modified in the building site:

- air intake from rear
- air intake from bottom.



CONSTANT AIRFLOW CONTROL

With constant air volume control technology, optimal airflow cools every room appropriately with both short pipes and long pipes.



COMFORT



Anti-cold air

RELIABILITY



Self-diagnosis Function



Auto Defrosting



Condensate drain pump

CONVENIENCE



Remote On/Off



Error Alarm Port



Auto-restart

ENERGY SAVING



Sleep

HEALTH



Fresh Air

OPTIONAL



Wired controller



Centralised control



BMS Communication



WiFi Control



Wi-Fi
WF-60A1-C
(optional)



PREVIEW
WIRED REMOTE CONTROL
KJR-120N-12 V
(optional)



WIRED REMOTE CONTROL
KJR-120X2-TFBG-E
(optional)



REMOTE CONTROL
RG10A-D2S-BGEF
(standard)



ID3-XY

technical data

Indoor unit			ID3-XY	27M	35M	53M	70M
Code				89092235	89092219	89132211	89102201
Cooling capacity	Nominal		Btu/h	9,000	12,000	18,000	24,000
			kW	2,64	3,52	5,30	7,03
Heating capacity	Nominal		Btu/h	10,000	13,000	19,000	26,000
			kW	2,93	3,81	5,57	7,62
Dimensions	Unit	L x D x H	mm	700x450x200	700x450x200	880x600x210	1100x700x249
	Packaging	L x D x H	mm	860x540x275	860x540x275	1070x725x280	1305x805x315
Weight	Unit/Packaging		kg	18,0/22,0	18,0/22,0	24,3/29,6	32,3/39,1
Air filter	Type		-	R/W	R/W	R/W	R/W
Airflow		Hi/Mid/Lo	m ³ /h	500/340/230	600/480/300	880/650/350	1229/1035/825
External static pressure		Std (Min=Max)	Pa	25 (0÷60)	25 (0÷60)	25 (0÷100)	25 (0÷160)
Sound power		Hi	dB(A)	58	59	59	62
Sound pressure level		Hi/Mid/Lo	dB(A)	40/35/28	40/35/28	42/38/33	49/46/41
Operating Voltage Range	Cooling	Indoor T	°C	17÷32	17÷32	17÷32	17÷32
	Heating	Indoor T	°C	0÷30	0÷30	0÷30	0÷30
Refrigerant piping	External diameters	Liquid-Gas	mm	Φ6,35 - Φ9,52	Φ6,35 - Φ9,52	Φ6,35 - Φ12,7	Φ9,52 - Φ15,9
			inch.	1/4" - 3/8"	1/4" - 3/8"	1/4" - 1/2"	3/8" - 5/8"
Control system	Infrared remote control		-	RG10A-D2S-BGEF	RG10A-D2S-BGEF	RG10A-D2S-BGEF	RG10A-D2S-BGEF
	Settable temperature		°C	16÷30	16÷30	16÷30	16÷30
Power supply	Voltage/Frequency/Phases		V/Hz/n°	230 / 50 / 1	230 / 50 / 1	230 / 50 / 1	230 / 50 / 1

R/W = Removable/Washable

Test conditions:
according to EN14511 / EN12102

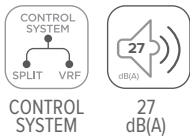
Cooling: indoor air temperature 27°C DB/19°C WB; outdoor air temperature 35°C DB/24°C WB;
Heating: indoor air temperature 20°C DB/15°C WB; outdoor air temperature 7°C DB/6°C WB.
Data declared according to UE 626/2011 delegated regulation

accessories

Standard	
RG10A-D2S-BGEF	Infrared remote control for CRISTALLO 2 / EZCool / BOX 2 / CONSOLE 3 / DUCT 3 / DUCT 2 / C&F 2 indoor units
Optionals	
WF-60A1-C	Smart port kit for the hiwall indoor unit management via Wi-Fi (it includes the adaptor and the USB key)
Control systems	(see dedicated section)

CONSOLE 3 27M ÷ 53M

MULTISplit



Console indoor unit for MULTI Split Systems

WHY CHOOSE CONSOLE 3?

- ✓ MULTISplit/Light Commercial compatible
- ✓ Compact dimensions suitable for installation under a window
- ✓ Selection of active air supply nozzles according to the situation

SUPERSILENT

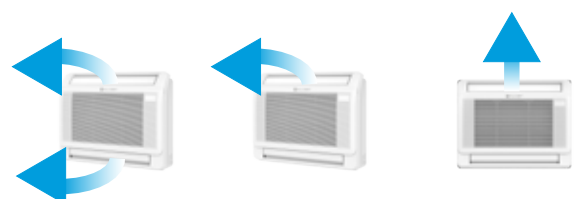
Thanks to the new double tangential fan system, noise is reduced to the lowest of its category.



DOUBLE FLOW FOR FRONT RETURN AIR SUPPLY

Selectable air supply:

1. From the bottom and from the top
2. From the top only



COMFORT



Stepless Indoor Fan Speed



Anti-cold air



Temperature Compensation



Multidirectional airflow

RELIABILITY



Self-diagnosis Function

CONVENIENCE



Remote On/Off



Timer



Auto-restart

ENERGY SAVING



Sleep

OPTIONAL



Wired controller



Centralised control



BMS Communication



WiFi Control

HEALTH



High Density filter



Cold Catalyst filter



Wi-Fi NWMX (optional)

PREVIEW



WIRED REMOTE CONTROL KJR-120N-12 V (optional) (necessario kit MKCX)



WIRED REMOTE CONTROL KJR-120X2-TFBG-E (optional) (MKCX kit necessary)



REMOTE CONTROL RG10A-D2S-BGEF (standard)



IC3-Y

technical data

Indoor unit			IC3-Y	27M	35M	53M
Code				89472268	89472266	89472269
Cooling capacity	Nominal		Btu/h	9.000	12.000	17.000
			kW	2,64	3,52	4,98
Heating capacity	Nominal		Btu/h	10.000	13.000	18.000
			kW	2,93	3,81	5,30
Dimensions	Unit	L x D x H	mm	794x206x621	794x206x621	794x206x621
	Packaging	L x D x H	mm	865x280x719	865x280x719	865x280x719
Weight	Unit/Packaging		kg	14,9/18,8	14,9/18,8	14,9/18,8
Air filter	Type		-	R/W	R/W	R/W
Airflow		Hi/Mid/Lo	m ³ /h	650/580/490	650/580/490	780/690/600
Sound power		Hi	dB(A)	54	54	55
Sound pressure level		Hi/Mid/Lo	dB(A)	37/34/27	37/34/27	41/38/32
Operating Voltage Range	Cooling	Indoor T	°C	17÷32	17÷32	17÷32
	Heating	Indoor T	°C	0÷30	0÷30	0÷30
Refrigerant piping	External diameters	Liquid-Gas	mm	Φ6,35 - Φ9,52	Φ6,35 - Φ9,52	Φ6,35 - Φ12,7
			inch.	1/4" - 3/8"	1/4" - 3/8"	1/4" - 1/2"
Control system	Infrared remote control		-	RG10A-D2S-BGEF	RG10A-D2S-BGEF	RG10A-D2S-BGEF
	Settable temperature		°C	16÷30	16÷30	16÷30
Power supply	Voltage/Frequency/Phases		V/Hz/n°	230 / 50 / 1	230 / 50 / 1	230 / 50 / 1

R/W = Removable/Washable

Test conditions:
according to EN14511 / EN12102

Cooling: indoor air temperature 27°C DB/19°C WB; outdoor air temperature 35°C DB/24°C WB;
Heating: indoor air temperature 20°C DB/15°C WB; outdoor air temperature 7°C DB/6°C WB.
Data declared according to UE 626/2011 delegated regulation

accessories

Standard

RG10A-D2S-BGEF

Infrared remote control for CERVINO / CRISTALLO 2 / EZCOOL / BOX 2 / CONSOLE 3 / DUCT 3 / DUCT 2 / C&F 2 indoor units

Optionals

NWMX

Wi-fi kit for indoor units

MKCX

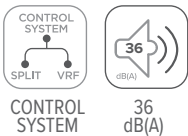
Multifunction board that makes the indoor unit available for Remote ON / OFF, Alarm port and XYE Port (required for connection of Wired controller, Centralized wired controller, Data Converter, BMS Gateway)
The ON-OFF/Alarm/XYE/Wi-Fi port functions can be used simultaneously

Control systems

(see dedicated section)

CEILING & FLOOR 2 53M

MULTISplit



Ceiling and floor indoor unit for MULTISplit systems

WHY CHOOSE CEILING&FLOOR 2?

- ✓ MULTISplit/Light Commercial compatible
- ✓ Vertical or horizontal, ceiling or floor installation
- ✓ Predisposition to operate with a fresh air fraction

SLIM DESIGN

Redesigned internal parts for durability and a slimmer chassis. The new air conditioner is slimmer and lighter than before.



MULTIDIRECTIONAL AIRFLOW

Vertical air flow and horizontal airflow can be adjusted by remote controller to direct air flow to every corner of the room.



COMFORT



Anti-cold air Multidirectional Airflow Temperature Compensation

RELIABILITY



Self-diagnosis Function Auto Defrosting

CONVENIENCE



Remote On/Off Error Alarm Port Auto Restart

ENERGY SAVING



Sleep

HEALTH



Fresh air

OPTIONAL



Wired controller Centralised control BMS Communication WiFi Control



Wi-Fi
WF-60A1-C
(optional)



PREVIEW
WIRED REMOTE CONTROL
KJR-120N-12 V
(optional)



WIRED REMOTE CONTROL
KJR-120X2-TFBG-E
(optional)



REMOTE CONTROL
RG10A-D2S-BGEF
(standard)



IF3-XY

technical data

Indoor unit		IF3-XY		53M	
Code				89092229	
Cooling capacity	Nominal			Btu/h	18,000
				kW	5,30
Heating capacity	Nominal			Btu/h	19,000
				kW	5,57
Dimensions	Unit	L x D x H	mm	1068x675x235	
	Packaging	L x D x H	mm	1145x755x318	
Weight	Unit/Packaging			kg	25,0/29,7
Air filter	Type			-	R/W
Airflow		Hi/Mid/Lo	m ³ /h	958/839/723	
Sound power		Hi	dB(A)	57	
Sound pressure level		Hi/Mi/Lo	dB(A)	44/41/37	
Operating Voltage Range	Cooling	Indoor T	°C	17÷32	
	Heating	Indoor T	°C	0÷30	
Refrigerant piping	External diameters	Liquid-Gas	mm	Φ6,35 - Φ12,7	
			inch.	1/4" - 1/2"	
Control system	Infrared remote control			RG10A-D2S-BGEF	
	Settable temperature			16÷30	
Power supply	Voltage/Frequency/Phases	V/Hz/n°		230 / 50 / 1	

R/W = Removable/Washable

Test conditions:
according to EN14511 / EN12102

Cooling: indoor air temperature 27°C DB/19°C WB; outdoor air temperature 35°C DB/24°C WB;
Heating: indoor air temperature 20°C DB/15°C WB; outdoor air temperature 7°C DB/6°C WB.
Data declared according to UE 626/2011 delegated regulation

accessories

Standard

RG10A-D2S-BGEF Infrared remote control for CERVINO / CRISTALLO 2 / EZCOOL / BOX 2 / CONSOLE 3 / DUCT 3 / DUCT 2 / C&F 2 indoor units

Optionals

WF-60A1-C Smart port kit for the not hinwall indoor unit management via Wi-Fi (it includes adaptor and USB key)

Control Systems (see dedicated section)

COMBINATION TABLES

Outdoor unit: MU2-Y 41M (DUAL)

MULTISplit

COOLING	OUTDOOR UNIT	INDOOR UNIT		COOLING CAPACITY [KW]		TOTAL COOLING CAPACITY [KW]			ABSORBED COOLING CAPACITY [KW]			TOTAL COOLING CURRENT [A]			EER	SEASONAL EFFICIENCY (EN14825)			
		TO	B	TO	B	Min.	Std.	Max.	Min.	Std.	Max.	Min.	Std.	Max.		Class	SEER	Pd	CEA [kWh]
	MU2-Y 41M (1x1)	20M	—	2,00	—	1,23	2,00	2,90	0,30	0,62	0,77	1,30	2,68	3,34	3,25	—	—	—	—
		8.000	—	2,50	—	1,23	2,50	3,20	0,30	0,77	0,96	1,30	3,34	4,18	3,25	—	—	—	—
		27M	—	3,50	—	1,23	3,50	3,90	0,30	1,08	1,35	1,30	4,68	5,85	3,25	—	—	—	—
		9.000	—	4,10	—	1,35	4,10	4,90	0,40	1,27	1,59	1,74	5,52	6,90	3,23	—	—	—	—
		35M	—	2,05	2,05	1,76	4,10	4,92	0,44	1,27	1,59	1,93	5,52	6,90	3,23	A++	6,90	4,10	210
		12.000	—	1,79	2,31	1,76	4,10	4,92	0,44	1,27	1,59	1,93	5,52	6,90	3,23	A++	6,90	4,10	210
	MU2-Y 41M (1x2)	20M	20M	1,51	2,59	1,76	4,10	4,92	0,44	1,27	1,59	1,93	5,52	6,90	3,23	A++	6,90	4,10	210
		8.000	8.000	2,05	2,05	1,76	4,10	4,92	0,44	1,27	1,59	1,93	5,52	6,90	3,23	A++	6,90	4,10	210
		20M	27M	2,05	2,05	1,76	4,10	4,92	0,44	1,27	1,59	1,93	5,52	6,90	3,23	A++	6,90	4,10	210
		8.000	9.000	1,76	2,34	1,76	4,10	4,92	0,44	1,27	1,59	1,93	5,52	6,90	3,23	A++	6,90	4,10	210
		20M	35M	2,05	2,05	1,76	4,10	4,92	0,44	1,27	1,59	1,93	5,52	6,90	3,23	A++	6,90	4,10	210
		8.000	12.000	1,76	2,34	1,76	4,10	4,92	0,44	1,27	1,59	1,93	5,52	6,90	3,23	A++	6,90	4,10	210
		27M	27M	2,05	2,05	1,76	4,10	4,92	0,44	1,27	1,59	1,93	5,52	6,90	3,23	A++	6,90	4,10	210
		9.000	9.000	1,76	2,34	1,76	4,10	4,92	0,44	1,27	1,59	1,93	5,52	6,90	3,23	A++	6,90	4,10	210
27M	35M	1,76	2,34	1,76	4,10	4,92	0,44	1,27	1,59	1,93	5,52	6,90	3,23	A++	6,90	4,10	210		
9.000	12.000																		

Notes Pd = Pdesign CEA = Annual Energy Consumption

HEATING	OUTDOOR UNIT	INDOOR UNIT		HEATING CAPACITY [KW]		TOTAL HEATING CAPACITY [KW]			ABSORBED HEATING CAPACITY [KW]			TOTAL COOLING CURRENT [A]			COP	SEASONAL EFFICIENCY (EN14825)			
		TO	B	TO	B	Min.	Std.	Max.	Min.	Std.	Max.	Min.	Std.	Max.		Class	SCOP	Pd	CEA [kWh]
	MU2-Y 41M (1x1)	20M	—	2,45	—	1,32	2,50	2,82	0,28	0,67	0,83	1,22	2,90	3,62	3,75	—	—	—	—
		8.000	—	2,92	—	1,32	2,90	3,36	0,28	0,78	0,97	1,22	3,38	4,23	3,73	—	—	—	—
		27M	—	3,75	—	1,32	3,80	4,31	0,28	1,02	1,28	1,22	4,44	5,55	3,72	—	—	—	—
		9.000	—	4,40	—	1,45	4,40	5,24	0,38	1,19	1,48	1,65	5,16	6,45	3,71	—	—	—	—
		35M	—	2,20	2,20	1,89	4,40	5,28	0,42	1,19	1,48	1,80	5,16	6,45	3,71	A+	4,00	3,80	1330
		12.000	—	1,93	2,48	1,89	4,40	5,28	0,42	1,19	1,48	1,80	5,16	6,45	3,71	A+	4,00	3,80	1330
	MU2-Y 41M (1x2)	20M	20M	1,62	2,78	1,89	4,40	5,28	0,42	1,19	1,48	1,80	5,16	6,45	3,71	A+	4,00	3,80	1330
		8.000	9.000	2,20	2,20	1,89	4,40	5,28	0,42	1,19	1,48	1,80	5,16	6,45	3,71	A+	4,00	3,80	1330
		20M	35M	1,89	2,51	1,89	4,40	5,28	0,42	1,19	1,48	1,80	5,16	6,45	3,71	A+	4,00	3,80	1330
		8.000	12.000	1,89	2,51	1,89	4,40	5,28	0,42	1,19	1,48	1,80	5,16	6,45	3,71	A+	4,00	3,80	1330
		27M	27M	2,20	2,20	1,89	4,40	5,28	0,42	1,19	1,48	1,80	5,16	6,45	3,71	A+	4,00	3,80	1330
		9.000	9.000	1,89	2,51	1,89	4,40	5,28	0,42	1,19	1,48	1,80	5,16	6,45	3,71	A+	4,00	3,80	1330
		27M	35M	1,89	2,51	1,89	4,40	5,28	0,42	1,19	1,48	1,80	5,16	6,45	3,71	A+	4,00	3,80	1330
		9.000	12.000																

Notes Pd = Pdesign CEA = Annual Energy Consumption

COMBINATION TABLES

Outdoor unit: MU2-Y 53M (DUAL)

OUTDOOR UNIT	INDOOR UNIT		COOLING CAPACITY [KW]		TOTAL COOLING CAPACITY [KW]			POWER INPUT COOLING [KW]			TOTAL COOLING CURRENT [A]			EER	SEASONAL EFFICIENCY (EN14825)			
	TO	B	TO	B	Min.	Std.	Max.	Min.	Std.	Max.	Min.	Std.	Max.		Class	SEER	Pd	CEA [kWh]
MU2-Y 53M (1x1)	20M 8.000	—	2,00	—	1,43	2,00	2,90	0,35	0,60	0,75	1,52	2,60	3,24	3,35	—	—	—	—
	27M 9.000	—	2,50	—	1,43	2,50	3,20	0,35	0,75	0,93	1,52	3,24	4,06	3,35	—	—	—	—
	35M 12.000	—	3,50	—	1,43	3,50	3,90	0,35	1,08	1,29	1,52	4,68	5,62	3,25	—	—	—	—
	53M 18.000	—	5,00	—	1,64	5,00	5,51	0,45	1,55	1,89	1,96	6,73	8,20	3,23	—	—	—	—
MU2-Y 53M (1x2)	20M 8.000	20M 8.000	2,65	2,65	2,12	5,30	5,62	0,54	1,64	2,05	2,35	7,13	8,92	3,23	A++	6,10	5,30	304
	20M 8.000	27M 9.000	2,32	2,98	2,12	5,30	5,83	0,54	1,64	2,05	2,35	7,13	8,92	3,23	A++	6,10	5,30	304
	20M 8.000	35M 12.000	1,95	3,35	2,12	5,30	6,41	0,54	1,64	2,05	2,35	7,13	8,92	3,23	A++	6,10	5,30	304
	20M 8.000	53M 18.000	1,48	3,85	2,12	5,30	6,47	0,54	1,64	2,05	2,35	7,13	8,92	3,23	A++	6,10	5,30	304
	27M 9.000	27M 9.000	2,65	2,65	2,12	5,30	6,41	0,54	1,64	2,05	2,35	7,13	8,92	3,23	A++	6,30	5,30	300
	27M 9.000	35M 12.000	2,27	3,03	2,12	5,30	6,41	0,54	1,64	2,05	2,35	7,13	8,92	3,23	A++	6,30	5,30	300
	27M 9.000	53M 18.000	1,77	3,53	2,12	5,30	6,47	0,54	1,64	2,05	2,35	7,13	8,92	3,23	A++	6,30	5,30	300
	35M 12.000	35M 12.000	2,65	2,65	2,12	5,30	6,41	0,54	1,64	2,05	2,35	7,13	8,92	3,23	A++	6,30	5,30	300

Notes Pd = Pdesign CEA = Annual Energy Consumption

OUTDOOR UNIT	INDOOR UNIT		HEATING CAPACITY [KW]		TOTAL HEATING CAPACITY [KW]			ABSORBED HEATING CAPACITY [KW]			TOTAL COOLING CURRENT [A]			COP	SEASONAL EFFICIENCY (EN14825)			
	TO	B	TO	B	Min.	Std.	Max.	Min.	Std.	Max.	Min.	Std.	Max.		Class	SCOP	Pd	CEA [kWh]
MU2-Y 53M (1x1)	20M 8.000	—	2,50	—	1,56	2,50	3,03	0,32	0,67	0,83	1,39	2,90	3,62	3,75	—	—	—	—
	27M 9.000	—	3,00	—	1,56	3,00	3,63	0,32	0,80	1,00	1,39	3,48	4,35	3,75	—	—	—	—
	35M 12.000	—	3,80	—	1,56	3,80	4,60	0,32	1,00	1,20	1,39	4,34	5,20	3,81	—	—	—	—
	53M 18.000	—	5,20	—	1,73	5,20	5,79	0,42	1,35	1,88	1,83	5,87	8,16	3,85	—	—	—	—
MU2-Y 53M (1x2)	20M 8.000	20M 8.000	2,50	2,50	2,23	5,00	6,04	0,51	1,35	1,88	2,22	5,86	8,16	3,71	A+	4,00	4,30	1505
	20M 8.000	27M 9.000	2,32	2,98	2,23	5,30	6,13	0,51	1,43	1,88	2,22	6,21	8,16	3,71	A+	4,00	4,30	1505
	20M 8.000	35M 12.000	2,03	3,47	2,23	5,50	6,36	0,51	1,48	1,88	2,22	6,45	8,16	3,71	A+	4,00	4,30	1505
	20M 8.000	53M 18.000	1,60	4,14	2,23	5,70	6,60	0,51	1,54	1,88	2,22	6,68	8,16	3,71	A+	4,00	4,30	1505
	27M 9.000	27M 9.000	2,79	2,79	2,23	5,57	6,68	0,51	1,50	1,88	2,22	6,53	8,16	3,71	A+	4,00	4,50	1570
	27M 9.000	35M 12.000	2,39	3,18	2,23	5,57	6,68	0,51	1,50	1,88	2,22	6,53	8,16	3,71	A+	4,00	4,50	1570
	27M 9.000	53M 18.000	1,86	3,71	2,23	5,57	6,68	0,51	1,50	1,88	2,22	6,53	8,16	3,71	A+	4,00	4,50	1570
	35M 12.000	35M 12.000	2,79	2,79	2,23	5,57	6,68	0,51	1,50	1,88	2,22	6,53	8,16	3,71	A+	4,00	4,50	1570

Notes Pd = Pdesign CEA = Annual Energy Consumption

MULTISplit

Unità esterna: MU2-Y 53M-3 (TRIAL)

MULTISplit

OUTDOOR UNIT	INDOOR UNIT			COOLING CAPACITY [KW]			TOTAL COOLING CAPACITY [KW]			ABSORBED COOLING CAPACITY [KW]			TOTAL COOLING CURRENT [A]			EER	SEASONAL EFFICIENCY (EN14825)			
	TO	B	C	TO	B	C	Min.	Std.	Max.	Min.	Std.	Max.	Min.	Std.	Max.		Class	SEER	Pd	CEA [kWh]
MU2-Y 53M-3 (1x1)	20M 8.000"	—	—	2,00	—	—	1,43	2,00	2,90	0,35	0,60	0,75	1,52	2,60	3,24	3,35	—	—	—	—
	27M 9.000"	—	—	2,50	—	—	1,43	2,50	3,20	0,35	0,75	0,93	1,52	3,24	4,06	3,35	—	—	—	—
	35M 12.000"	—	—	3,50	—	—	1,43	3,50	3,90	0,35	1,08	1,29	1,52	4,68	5,62	3,25	—	—	—	—
	53M 18.000"	—	—	5,00	—	—	1,64	5,00	5,51	0,45	1,55	1,89	1,96	6,73	8,20	3,23	—	—	—	—
MU2-Y 53M-3 (1x2)	20M 8.000"	20M 8.000"	—	2,65	2,65	—	2,12	5,30	5,62	0,54	1,64	2,05	2,35	7,13	8,92	3,23	A++	6,10	5,30	304
	20M 8.000"	27M 9.000"	—	2,32	2,98	—	2,12	5,30	5,83	0,54	1,64	2,05	2,35	7,13	8,92	3,23	A++	6,10	5,30	304
	20M 8.000"	35M 12.000"	—	1,95	3,35	—	2,12	5,30	6,41	0,54	1,64	2,05	2,35	7,13	8,92	3,23	A++	6,10	5,30	304
	20M 8.000"	53M 18.000"	—	1,48	3,85	—	2,12	5,30	6,47	0,54	1,64	2,05	2,35	7,13	8,92	3,23	A++	6,10	5,30	304
	27M 9.000"	27M 9.000"	—	2,64	2,64	—	1,58	5,28	5,80	0,24	1,63	1,96	0,53	6,89	8,35	3,23	A++	6,30	5,28	293
	27M 9.000"	35M 12.000"	—	2,26	3,01	—	1,58	5,28	5,80	0,24	1,63	1,96	0,53	6,89	8,35	3,23	A++	6,22	5,28	297
	27M 9.000"	53M 18.000"	—	1,75	3,51	—	1,58	5,26	5,79	0,25	1,65	1,98	0,54	6,96	8,43	3,19	A+	5,96	5,26	309
	35M 12.000"	35M 12.000"	—	2,64	2,64	—	1,58	5,28	5,80	0,24	1,63	1,96	0,53	6,89	8,35	3,23	A++	6,15	5,28	300
	35M 12.000"	53M 18.000"	—	2,10	3,16	—	1,58	5,26	5,79	0,25	1,65	1,98	0,54	6,96	8,43	3,19	A+	5,89	5,26	258
	MU2-Y 53M-3 (1x3)	27M 9.000"	27M 9.000"	27M 9.000"	1,77	1,77	1,77	1,59	5,30	5,83	0,18	1,22	1,47	0,40	5,15	6,24	4,34	A++	7,2	5,3

Notes Pd = Pdesign CEA = Annual Energy Consumption

Unità esterna: MU2-Y 53M-3 (TRIAL)

OUTDOOR UNIT	INDOOR UNIT			HEATING CAPACITY [KW]			TOTAL HEATING CAPACITY [KW]			ABSORBED HEATING CAPACITY [KW]			TOTAL COOLING CURRENT [A]			COP	SEASONAL EFFICIENCY (EN14825)			
	TO	B	C	TO	B	C	Min.	Std.	Max.	Min.	Std.	Max.	Min.	Std.	Max.		Class	SCOP	Pd	CEA [kWh]
MU2-Y 53M (1x1)	20M 8.000	—	—	2,50	—	—	1,56	2,50	3,03	0,32	0,67	0,83	1,39	2,90	3,62	3,75	—	—	—	—
	27M 9.000	—	—	3,00	—	—	1,56	3,00	3,63	0,32	0,80	1,00	1,39	3,48	4,35	3,75	—	—	—	—
	35M 12.000	—	—	3,80	—	—	1,56	3,80	4,60	0,32	1,00	1,20	1,39	4,34	5,20	3,81	—	—	—	—
	53M 18.000	—	—	5,20	—	—	1,73	5,20	5,79	0,42	1,35	1,88	1,83	5,87	8,16	3,85	—	—	—	—
	20M 8.000	20M 8.000	—	2,50	2,50	—	2,23	5,00	6,04	0,51	1,35	1,88	2,22	5,86	8,16	3,71	A+	4,00	4,30	1505
20M 8.000	27M 9.000	—	2,32	2,98	—	2,23	5,30	6,13	0,51	1,43	1,88	2,22	6,21	8,16	3,71	A+	4,00	4,30	1505	
20M 8.000	35M 12.000"	—	2,03	3,47	—	2,23	5,50	6,36	0,51	1,48	1,88	2,22	6,45	8,16	3,71	A+	4,00	4,30	1505	
20M 8.000	53M 18.000	—	1,60	4,14	—	2,23	5,70	6,60	0,51	1,54	1,88	2,22	6,68	8,16	3,71	A+	4,00	4,30	1505	
27M 9.000	27M 9.000	—	2,78	2,78	—	1,67	5,57	6,13	0,23	1,50	1,80	0,49	6,33	7,67	3,71	A+	4,00	4,50	1575	
27M 9.000	35M 12.000	—	2,39	3,18	—	1,67	5,57	6,13	0,23	1,50	1,80	0,49	6,33	7,67	3,71	A+	4,00	4,50	1576	
27M 9.000	53M 18.000	—	1,86	3,71	—	1,67	5,57	6,12	0,22	1,46	1,75	0,48	6,17	7,48	3,81	TO	3,83	4,50	1643	
35M 12.000	35M 12.000	—	2,78	2,78	—	1,67	5,57	6,13	0,23	1,50	1,80	0,49	6,33	7,67	3,71	A+	4,00	4,50	1577	
35M 12.000	53M 18.000	—	2,23	3,34	—	1,67	5,57	6,12	0,22	1,46	1,75	0,48	6,17	7,48	3,81	TO	3,83	4,50	1643	
MU2-Y 53M-3 (1x3)	27M 9.000	27M 9.000	27M 9.000	1,77	1,77	1,77	1,59	5,30	5,83	0,17	1,12	1,34	0,37	4,73	5,73	4,73	A+	4,1	4,4	1502

MULTISplit

Notes Pd = Pdesign CEA = Annual Energy Consumption

COMBINATION TABLES

Outdoor unit: MU2-Y 61M (TRIPLE)

MULTISplit

OUTDOOR UNIT	INDOOR UNIT			COOLING CAPACITY [KW]			TOTAL COOLING CAPACITY [KW]			POWER INPUT COOLING [KW]			TOTAL COOLING CURRENT [A]			EER	SEASONAL EFFICIENCY (EN14825)			
	TO	B	C	TO	B	C	Min.	Std.	Max.	Min.	Std.	Max.	Min.	Std.	Max.		Class	SEER	Pd	CEA [kWh]
MU2-Y 61M (1x1)	20M	—	—	2,00	—	—	1,43	2,00	2,90	0,38	0,62	0,77	1,65	2,69	3,37	3,23	—	—	—	—
	8.000	—	—	2,50	—	—	1,43	2,50	3,20	0,38	0,77	0,97	1,65	3,37	4,21	3,23	—	—	—	—
	27M	—	—	3,50	—	—	1,43	3,50	3,90	0,38	1,08	1,30	1,65	4,71	5,65	3,23	—	—	—	—
	9.000	—	—	5,00	—	—	1,65	5,00	6,50	0,48	1,55	1,78	2,09	6,73	7,74	3,23	—	—	—	—
	35M	—	—	2,10	2,10	—	2,01	4,20	5,49	0,57	1,30	1,89	2,46	5,65	8,21	3,23	A+	5,60	4,20	263
MU2-Y 61M (1x2)	12.000	—	—	2,06	2,64	—	2,01	4,70	5,80	0,57	1,46	1,98	2,46	6,33	8,62	3,23	A+	5,60	4,70	294
	53M	—	—	1,95	3,35	—	2,01	5,30	6,10	0,57	1,64	2,08	2,46	7,13	9,03	3,23	A+	5,60	5,30	331
	18.000	—	—	1,76	4,54	—	2,01	6,30	6,83	0,57	1,95	2,17	2,46	8,48	9,44	3,23	A+	5,60	6,30	394
	20M	20M	—	2,65	2,65	—	2,01	5,30	6,41	0,57	1,64	2,08	2,46	7,13	9,03	3,23	A+	5,60	5,30	331
	8.000	8.000	—	2,57	3,43	—	2,01	6,00	6,59	0,57	1,86	2,12	2,46	8,08	9,20	3,23	A+	5,60	6,00	375
	20M	27M	—	2,10	4,20	—	2,01	6,30	6,83	0,57	1,95	2,17	2,46	8,48	9,44	3,23	A+	5,60	6,30	394
	8.000	9.000	—	3,10	3,10	—	2,01	6,20	6,83	0,57	1,92	2,17	2,46	8,35	9,44	3,23	A+	5,60	6,20	388
	20M	35M	—	2,03	2,03	2,03	2,44	6,10	7,20	0,68	1,89	2,36	2,96	8,21	10,26	3,23	A++	6,70	6,10	319
	8.000	8.000	8.000	1,86	1,86	2,39	2,44	6,10	7,26	0,68	1,89	2,36	2,96	8,21	10,26	3,23	A++	6,70	6,10	319
	20M	20M	35M	1,64	1,64	2,82	2,44	6,10	7,32	0,68	1,89	2,36	2,96	8,21	10,26	3,23	A++	6,70	6,10	319
8.000	8.000	12.000	1,71	2,20	2,20	2,44	6,10	7,32	0,68	1,89	2,36	2,96	8,21	10,26	3,23	A++	6,70	6,10	319	
MU2-Y 61M (1x3)	20M	27M	35M	1,53	1,96	2,61	2,44	6,10	7,32	0,68	1,89	2,36	2,96	8,21	10,26	3,23	A++	6,70	6,10	319
	8.000	9.000	12.000	2,03	2,03	2,03	2,44	6,10	7,32	0,68	1,89	2,36	2,96	8,21	10,26	3,23	A++	6,70	6,10	319
	20M	27M	35M	1,83	1,83	2,44	2,44	6,10	7,32	0,68	1,89	2,36	2,96	8,21	10,26	3,23	A++	6,70	6,10	319
	8.000	9.000	12.000																	
	27M	27M	35M																	
9.000	9.000	12.000																		

Notes Pd = Pdesign CEA = Annual Energy Consumption

COMBINATION TABLES

Outdoor unit: MU2-Y 61M (TRIPLE)

OUTDOOR UNIT	INDOOR UNIT			HEATING CAPACITY [KW]			TOTAL HEATING CAPACITY [KW]			ABSORBED HEATING CAPACITY [KW]			TOTAL COOLING CURRENT [A]			COP	SEASONAL EFFICIENCY (EN14825)			
	TO	B	C	TO	B	C	Min.	Std.	Max.	Min.	Std.	Max.	Min.	Std.	Max.		Class	SCOP	Pd	CEA [kWh]
MU2-Y 61M (1x1)	20M	—	—	2,50	—	—	1,43	2,50	3,03	0,35	0,67	0,84	1,52	2,93	3,66	3,71	—	—	—	—
	8.000	—	—	2,50	—	—	1,43	2,50	3,03	0,35	0,67	0,84	1,52	2,93	3,66	3,71	—	—	—	—
	27M	—	—	3,00	—	—	1,43	3,00	3,63	0,35	0,81	1,01	1,52	3,52	4,39	3,71	—	—	—	—
	9.000	—	—	3,00	—	—	1,43	3,00	3,63	0,35	0,81	1,01	1,52	3,52	4,39	3,71	—	—	—	—
	35M	—	—	3,80	—	—	1,43	3,80	4,60	0,35	1,02	1,23	1,52	4,45	5,34	3,71	—	—	—	—
	12.000	—	—	3,80	—	—	1,43	3,80	4,60	0,35	1,02	1,23	1,52	4,45	5,34	3,71	—	—	—	—
MU2-Y 61M (1x2)	53M	—	—	5,20	—	—	1,74	5,20	6,64	0,45	1,40	2,00	1,96	6,09	8,69	3,71	—	—	—	—
	18.000	—	—	5,20	—	—	1,74	5,20	6,64	0,45	1,40	2,00	1,96	6,09	8,69	3,71	—	—	—	—
	20M	20M	—	2,50	2,50	—	2,13	5,00	5,80	0,52	1,35	1,74	2,27	5,86	7,56	3,71	TO	3,80	4,00	1474
	8.000	8.000	—	2,50	2,50	—	2,13	5,00	5,80	0,52	1,35	1,74	2,27	5,86	7,56	3,71	TO	3,80	4,00	1474
	20M	27M	—	2,45	3,15	—	2,13	5,60	6,12	0,52	1,51	1,82	2,27	6,56	7,93	3,71	TO	3,80	4,48	1651
	8.000	9.000	—	2,45	3,15	—	2,13	5,60	6,12	0,52	1,51	1,82	2,27	6,56	7,93	3,71	TO	3,80	4,48	1651
	20M	35M	—	2,17	3,73	—	2,13	5,90	6,45	0,52	1,59	1,91	2,27	6,91	8,31	3,71	TO	3,80	4,80	1768
	8.000	12.000	—	2,17	3,73	—	2,13	5,90	6,45	0,52	1,59	1,91	2,27	6,91	8,31	3,71	TO	3,80	4,80	1768
	20M	53M	—	1,82	4,68	—	2,13	6,50	7,22	0,52	1,75	2,00	2,27	7,62	8,69	3,71	TO	3,80	5,12	1886
	8.000	18.000	—	1,82	4,68	—	2,13	6,50	7,22	0,52	1,75	2,00	2,27	7,62	8,69	3,71	TO	3,80	5,12	1886
	27M	27M	—	2,95	2,95	—	2,13	5,90	6,77	0,52	1,59	1,91	2,27	6,91	8,31	3,71	TO	3,80	4,80	1768
	9.000	9.000	—	2,95	2,95	—	2,13	5,90	6,77	0,52	1,59	1,91	2,27	6,91	8,31	3,71	TO	3,80	4,80	1768
MU2-Y 61M (1x3)	27M	35M	—	2,70	3,60	—	2,13	6,30	6,96	0,52	1,70	1,94	2,27	7,38	8,46	3,71	TO	3,80	5,12	1886
	9.000	12.000	—	2,70	3,60	—	2,13	6,30	6,96	0,52	1,70	1,94	2,27	7,38	8,46	3,71	TO	3,80	5,12	1886
	27M	53M	—	2,20	4,40	—	2,13	6,60	7,22	0,52	1,78	2,00	2,27	7,73	8,69	3,71	TO	3,80	5,12	1886
	9.000	18.000	—	2,20	4,40	—	2,13	6,60	7,22	0,52	1,78	2,00	2,27	7,73	8,69	3,71	TO	3,80	5,12	1886
	35M	35M	—	3,15	3,15	—	2,13	6,30	7,22	0,52	1,70	2,00	2,27	7,38	8,69	3,71	TO	3,80	5,12	1886
	12.000	12.000	—	3,15	3,15	—	2,13	6,30	7,22	0,52	1,70	2,00	2,27	7,38	8,69	3,71	TO	3,80	5,12	1886
	20M	20M	20M	2,15	2,15	2,15	2,26	6,45	7,61	0,62	1,74	2,17	2,72	7,56	9,44	3,71	A+	4,00	5,20	1820
	8.000	8.000	8.000	2,15	2,15	2,15	2,26	6,45	7,61	0,62	1,74	2,17	2,72	7,56	9,44	3,71	A+	4,00	5,20	1820
	20M	20M	27M	1,96	1,96	2,52	2,26	6,45	7,61	0,62	1,74	2,17	2,72	7,56	9,44	3,71	A+	4,00	5,20	1820
	8.000	8.000	9.000	1,96	1,96	2,52	2,26	6,45	7,61	0,62	1,74	2,17	2,72	7,56	9,44	3,71	A+	4,00	5,20	1820
	20M	20M	35M	1,73	1,73	2,97	2,26	6,45	7,74	0,62	1,74	2,17	2,72	7,56	9,44	3,71	A+	4,00	5,20	1820
	8.000	8.000	12.000	1,73	1,73	2,97	2,26	6,45	7,74	0,62	1,74	2,17	2,72	7,56	9,44	3,71	A+	4,00	5,20	1820
20M	27M	27M	1,80	2,32	2,32	2,26	6,45	7,74	0,62	1,74	2,17	2,72	7,56	9,44	3,71	A+	4,00	5,20	1820	
8.000	9.000	9.000	1,80	2,32	2,32	2,26	6,45	7,74	0,62	1,74	2,17	2,72	7,56	9,44	3,71	A+	4,00	5,20	1820	
20M	27M	35M	1,61	2,07	2,76	2,26	6,45	7,74	0,62	1,74	2,17	2,72	7,56	9,44	3,71	A+	4,00	5,20	1820	
8.000	9.000	12.000	1,61	2,07	2,76	2,26	6,45	7,74	0,62	1,74	2,17	2,72	7,56	9,44	3,71	A+	4,00	5,20	1820	
27M	27M	27M	2,15	2,15	2,15	2,26	6,45	7,74	0,62	1,74	2,17	2,72	7,56	9,44	3,71	A+	4,00	5,20	1820	
9.000	9.000	9.000	2,15	2,15	2,15	2,26	6,45	7,74	0,62	1,74	2,17	2,72	7,56	9,44	3,71	A+	4,00	5,20	1820	
27M	27M	35M	1,93	1,93	2,58	2,26	6,45	7,74	0,62	1,74	2,17	2,72	7,56	9,44	3,71	A+	4,00	5,20	1820	
9.000	9.000	12.000	1,93	1,93	2,58	2,26	6,45	7,74	0,62	1,74	2,17	2,72	7,56	9,44	3,71	A+	4,00	5,20	1820	

Notes Pd = Pdesign CEA = Annual Energy Consumption

MULTISplit

COMBINATION TABLES

Outdoor unit: MU2-Y 79M (TRIPLE)

MULTISplit

OUTDOOR UNIT	INDOOR UNIT			COOLING CAPACITY [KW]			TOTAL COOLING CAPACITY [KW]			POWER INPUT COOLING [KW]			TOTAL COOLING CURRENT [A]			EER	SEASONAL EFFICIENCY (EN14825)			
	TO	B	C	TO	B	C	Min.	Std.	Max.	Min.	Std.	Max.	Min.	Std.	Max.		Class	SEER	Pd	CEA [kWh]
MU2-Y 79M (1x1)	20M	—	—	2,00	—	—	1,58	2,00	2,90	0,40	0,62	0,77	1,74	2,69	3,37	3,23	—	—	—	—
	8.000	—	—	2,50	—	—	1,58	2,50	3,20	0,40	0,77	0,97	1,74	3,37	4,21	3,23	—	—	—	—
	27M	—	—	3,50	—	—	1,58	3,50	3,90	0,40	1,08	1,30	1,74	4,71	5,65	3,23	—	—	—	—
	9.000	—	—	5,00	—	—	1,78	5,00	6,50	0,50	1,55	1,78	2,17	6,73	7,74	3,23	—	—	—	—
	35M	—	—	2,10	2,10	—	2,21	4,20	6,32	0,64	1,30	2,08	2,76	5,65	9,04	3,23	A+	5,60	4,20	263
	12.000	—	—	2,06	2,64	—	2,21	4,70	6,72	0,64	1,46	2,20	2,76	6,33	9,57	3,23	A+	5,60	4,70	294
MU2-Y 79M (1x2)	20M	20M	—	1,95	3,35	—	2,21	5,30	7,11	0,64	1,64	2,45	2,76	7,13	10,63	3,23	A+	5,60	5,30	331
	8.000	8.000	—	1,82	4,68	—	2,21	6,50	7,90	0,64	2,01	2,69	2,76	8,75	11,70	3,23	A+	5,60	6,50	406
	20M	27M	—	2,65	2,65	—	2,21	5,30	7,11	0,64	1,64	2,45	2,76	7,13	10,63	3,23	A+	5,60	5,30	331
	8.000	9.000	—	2,57	3,43	—	2,21	6,00	7,51	0,64	1,86	2,57	2,76	8,08	11,17	3,23	A+	5,60	6,00	375
	20M	35M	—	2,27	4,53	—	2,21	6,80	7,90	0,64	2,11	2,69	2,76	9,15	11,70	3,23	A+	5,60	6,80	425
	8.000	12.000	—	3,15	3,15	—	2,21	6,30	7,66	0,64	1,95	2,64	2,76	8,48	11,48	3,23	A+	5,60	6,30	394
	20M	53M	—	2,72	4,08	—	2,21	6,80	7,90	0,64	2,11	2,69	2,76	9,15	11,70	3,23	A+	5,60	6,80	425
	8.000	18.000	—	2,43	2,43	2,43	2,77	7,30	8,69	0,76	2,26	2,91	3,30	9,83	12,65	3,23	A++	6,10	7,30	419
	27M	27M	—	2,25	2,25	2,90	2,77	7,40	8,69	0,76	2,29	2,91	3,30	9,96	12,65	3,23	A++	6,10	7,40	425
	9.000	9.000	—	2,13	2,13	3,65	2,77	7,90	8,69	0,76	2,45	2,91	3,30	10,63	12,65	3,23	A++	6,10	7,90	453
	27M	35M	—	1,73	1,73	4,44	2,77	7,90	8,69	0,76	2,45	2,91	3,30	10,63	12,65	3,23	A++	6,10	7,90	453
	9.000	12.000	—	2,13	2,74	2,74	2,77	7,60	8,69	0,76	2,35	2,91	3,30	10,23	12,65	3,23	A++	6,10	7,60	436
	20M	20M	20M	1,98	2,54	3,39	2,77	7,90	8,69	0,76	2,45	2,91	3,30	10,63	12,65	3,23	A++	6,10	7,90	453
	8.000	9.000	12.000	1,63	2,09	4,18	2,77	7,90	8,69	0,76	2,45	2,91	3,30	10,63	12,65	3,23	A++	6,10	7,90	453
20M	35M	35M	1,78	3,06	3,06	2,77	7,90	8,69	0,76	2,45	2,91	3,30	10,63	12,65	3,23	A++	6,10	7,90	453	
8.000	12.000	12.000	2,63	2,63	2,63	2,77	7,90	8,69	0,76	2,45	2,91	3,30	10,63	12,65	3,23	A++	6,10	7,90	453	
27M	27M	27M	2,37	2,37	3,16	2,77	7,90	8,69	0,76	2,45	2,91	3,30	10,63	12,65	3,23	A++	6,10	7,90	453	
9.000	9.000	12.000	2,15	2,87	2,87	2,77	7,90	8,69	0,76	2,45	2,91	3,30	10,63	12,65	3,23	A++	6,10	7,90	453	
27M	35M	35M	2,63	2,63	2,63	2,77	7,90	8,69	0,76	2,45	2,91	3,30	10,63	12,65	3,23	A++	6,10	7,90	453	
9.000	12.000	12.000																		

COOLING

Notes Pd = Pdesign CEA = Annual Energy Consumption

COMBINATION TABLES

Outdoor unit: MU2-Y 79M (TRIPLE)

OUTDOOR UNIT	INDOOR UNIT			HEATING CAPACITY [KW]			TOTAL HEATING CAPACITY [KW]			ABSORBED HEATING CAPACITY [KW]			TOTAL COOLING CURRENT [A]			COP	SEASONAL EFFICIENCY (EN14825)							
	TO	B	C	TO	B	C	Min.	Std.	Max.	Min.	Std.	Max.	Min.	Std.	Max.		Class	SCOP	Pd	CEA [kWh]				
MU2-Y 79M (1x1)	20M	8.000	—	—	2,50	—	—	1,64	2,50	2,90	0,40	0,67	0,84	1,74	2,91	3,64	3,73	—	—	—	—			
	27M	9.000	—	—	3,00	—	—	1,64	3,00	3,20	0,40	0,80	1,01	1,74	3,50	4,37	3,73	—	—	—	—			
	35M	12.000	—	—	3,80	—	—	1,64	3,80	3,90	0,40	1,02	1,22	1,74	4,43	5,32	3,73	—	—	—	—			
	53M	18.000	—	—	5,20	—	—	1,89	5,20	7,22	0,50	1,39	1,59	2,17	6,03	6,93	3,75	—	—	—	—			
	20M	8.000	20M	8.000	—	2,50	2,50	—	2,30	5,00	6,56	0,57	1,35	1,88	2,50	5,86	8,17	3,71	TO	3,80	4,80	1768		
MU2-Y 79M (1x2)	20M	8.000	27M	9.000	—	2,45	3,15	—	2,30	5,60	6,98	0,57	1,51	1,99	2,50	6,56	8,66	3,71	TO	3,80	5,00	1842		
	20M	8.000	35M	12.000	—	2,21	3,79	—	2,30	6,00	7,39	0,57	1,62	2,21	2,50	7,03	9,62	3,71	TO	3,80	5,10	1879		
	20M	8.000	53M	18.000	—	1,96	5,04	—	2,30	7,00	8,21	0,57	1,89	2,43	2,50	8,20	10,58	3,71	TO	3,80	5,10	1879		
	27M	9.000	27M	9.000	—	3,00	3,00	—	2,30	6,00	7,39	0,57	1,62	2,21	2,50	7,03	9,62	3,71	TO	3,80	5,10	1879		
	27M	9.000	35M	12.000	—	2,70	3,60	—	2,30	6,30	7,80	0,57	1,70	2,32	2,50	7,38	10,10	3,71	TO	3,80	5,10	1879		
	27M	9.000	53M	18.000	—	2,33	4,67	—	2,30	7,00	8,21	0,57	1,89	2,43	2,50	8,20	10,58	3,71	TO	3,80	5,10	1879		
	35M	12.000	35M	12.000	—	3,25	3,25	—	2,30	6,50	7,96	0,57	1,75	2,39	2,50	7,62	10,39	3,71	TO	3,80	5,10	1879		
	35M	12.000	53M	18.000	—	2,80	4,20	—	2,30	7,00	8,21	0,57	1,89	2,43	2,50	8,20	10,58	3,71	TO	3,80	5,10	1879		
	MU2-Y 79M (1x3)	20M	8.000	20M	8.000	20M	8.000	2,73	2,73	2,73	2,87	8,20	9,85	0,68	2,21	2,76	2,98	9,61	12,02	3,71	A+	4,00	5,70	1995
		20M	8.000	20M	8.000	27M	9.000	2,50	2,50	3,21	2,87	8,20	9,85	0,68	2,21	2,76	2,98	9,61	12,02	3,71	A+	4,00	5,70	1995
20M		8.000	20M	8.000	35M	12.000	2,21	2,21	3,78	2,87	8,20	9,85	0,68	2,21	2,76	2,98	9,61	12,02	3,71	A+	4,00	5,70	1995	
20M		8.000	20M	8.000	53M	18.000	1,79	1,79	4,61	2,87	8,20	9,85	0,68	2,21	2,76	2,98	9,61	12,02	3,71	A+	4,00	5,70	1995	
20M		8.000	27M	9.000	27M	9.000	2,30	2,95	2,95	2,87	8,20	9,85	0,68	2,21	2,76	2,98	9,61	12,02	3,71	A+	4,00	5,70	1995	
20M		8.000	27M	9.000	35M	12.000	2,05	2,64	3,51	2,87	8,20	9,85	0,68	2,21	2,76	2,98	9,61	12,02	3,71	A+	4,00	5,70	1995	
20M		8.000	27M	9.000	53M	18.000	1,69	2,17	4,34	2,87	8,20	9,85	0,68	2,21	2,76	2,98	9,61	12,02	3,71	A+	4,00	5,70	1995	
20M		8.000	35M	12.000	35M	12.000	1,85	3,17	3,17	2,87	8,20	9,85	0,68	2,21	2,76	2,98	9,61	12,02	3,71	A+	4,00	5,70	1995	
27M		9.000	27M	9.000	27M	9.000	2,73	2,73	2,73	2,87	8,21	9,85	0,68	2,21	2,76	2,98	9,62	12,02	3,71	A+	4,00	5,50	1925	
27M		9.000	27M	9.000	35M	12.000	2,46	2,46	3,28	2,87	8,20	9,85	0,68	2,21	2,76	2,98	9,61	12,02	3,71	A+	4,00	5,50	1925	
27M		9.000	35M	12.000	35M	12.000	2,24	2,98	2,98	2,87	8,20	9,85	0,68	2,21	2,76	2,98	9,61	12,02	3,71	A+	4,00	5,50	1925	
35M		12.000	35M	12.000	35M	12.000	2,73	2,73	2,73	2,87	8,20	9,85	0,68	2,21	2,76	2,98	9,61	12,02	3,71	A+	4,00	5,50	1925	

Notes Pd = Pdesign CEA = Annual Energy Consumption

MULTISplit

HEATING

COMBINATION TABLES

Outdoor unit: MU2-Y 82M (QUADRI)

MULTISplit

OUTDOOR UNIT	INDOOR UNIT				COOLING CAPACITY [KW]				TOTAL COOLING CAPACITY [KW]			POWER INPUT COOLING [KW]			TOTAL COOLING CURRENT [A]			EER	SEASONAL EFFICIENCY (EN14825)			
	TO	B	C	D	TO	B	C	D	Min.	Std.	Max.	Min.	Std.	Max.	Min.	Std.	Max.		Class	SEER	Pd	CEA [kWh]
MU2-Y 82M (1x1)	20M	—	—	—	2,00	—	—	—	1,52	2,00	2,90	0,40	0,62	0,77	1,74	2,69	3,37	3,23	—	—	—	—
	8.000	—	—	—	—	—	—	—	—	—	—	—	—	—	—	—	—	—	—	—	—	
	27M	—	—	—	2,50	—	—	—	1,52	2,50	3,20	0,40	0,77	0,97	1,74	3,37	4,21	3,23	—	—	—	—
	9.000	—	—	—	—	—	—	—	—	—	—	—	—	—	—	—	—	—	—	—	—	—
	35M	—	—	—	3,50	—	—	—	1,52	3,50	3,90	0,40	1,08	1,30	1,74	4,71	5,65	3,23	—	—	—	—
	12.000	—	—	—	—	—	—	—	—	—	—	—	—	—	—	—	—	—	—	—	—	—
MU2-Y 82M (1x2)	53M	—	—	—	5,00	—	—	—	1,72	5,00	6,50	0,50	1,55	1,78	2,17	6,73	7,74	3,23	—	—	—	—
	18.000	—	—	—	—	—	—	—	—	—	—	—	—	—	—	—	—	—	—	—	—	—
	20M	20M	—	—	2,10	2,10	—	—	2,05	4,20	6,07	0,63	1,30	2,03	2,76	5,65	8,83	3,23	TO	5,10	4,20	288
	8.000	8.000	—	—	—	—	—	—	—	—	—	—	—	—	—	—	—	—	—	—	—	—
	20M	27M	—	—	2,06	2,64	—	—	2,05	4,70	6,40	0,63	1,46	2,16	2,76	6,33	9,38	3,23	TO	5,10	4,70	323
	8.000	9.000	—	—	—	—	—	—	—	—	—	—	—	—	—	—	—	—	—	—	—	—
	20M	35M	—	—	1,95	3,35	—	—	2,05	5,30	6,81	0,63	1,64	2,28	2,76	7,13	9,93	3,23	TO	5,10	5,30	364
	8.000	12.000	—	—	—	—	—	—	—	—	—	—	—	—	—	—	—	—	—	—	—	—
	20M	53M	—	—	1,96	5,04	—	—	2,05	7,00	7,54	0,63	2,17	2,79	2,76	9,42	12,14	3,23	TO	5,10	7,00	480
	8.000	18.000	—	—	—	—	—	—	—	—	—	—	—	—	—	—	—	—	—	—	—	—
	27M	27M	—	—	2,65	2,65	—	—	2,05	5,30	6,81	0,63	1,64	2,28	2,76	7,13	9,93	3,23	TO	5,10	5,30	364
	9.000	9.000	—	—	—	—	—	—	—	—	—	—	—	—	—	—	—	—	—	—	—	—
	27M	35M	—	—	2,57	3,43	—	—	2,05	6,00	6,97	0,63	1,86	2,41	2,76	8,08	10,49	3,23	TO	5,10	6,00	412
	9.000	12.000	—	—	—	—	—	—	—	—	—	—	—	—	—	—	—	—	—	—	—	—
	27M	53M	—	—	2,43	4,87	—	—	2,05	7,30	7,54	0,63	2,26	2,79	2,76	9,83	12,14	3,23	TO	5,10	7,30	501
	9.000	18.000	—	—	—	—	—	—	—	—	—	—	—	—	—	—	—	—	—	—	—	—
	35M	35M	—	—	3,25	3,25	—	—	2,05	6,50	7,38	0,63	2,01	2,49	2,76	8,75	10,82	3,23	TO	5,10	6,50	446
	12.000	12.000	—	—	—	—	—	—	—	—	—	—	—	—	—	—	—	—	—	—	—	—
35M	53M	—	—	2,92	4,38	—	—	2,05	7,30	7,54	0,63	2,26	2,79	2,76	9,83	12,14	3,23	TO	5,10	7,30	501	
12.000	18.000	—	—	—	—	—	—	—	—	—	—	—	—	—	—	—	—	—	—	—	—	
53M	53M	—	—	3,75	3,75	—	—	2,05	7,50	7,54	0,63	2,32	2,79	2,76	10,10	12,14	3,23	TO	5,10	7,50	515	
18.000	18.000	—	—	—	—	—	—	—	—	—	—	—	—	—	—	—	—	—	—	—	—	
MU2-Y 82M (1x3)	20M	20M	20M	—	2,00	2,00	2,00	—	2,62	6,00	8,45	0,76	1,86	2,94	3,31	8,08	12,80	3,23	A++	6,50	6,00	323
	8.000	8.000	8.000	—	—	—	—	—	—	—	—	—	—	—	—	—	—	—	—	—	—	—
	20M	20M	27M	—	1,98	1,98	2,54	—	2,62	6,50	8,45	0,76	2,01	2,94	3,31	8,75	12,80	3,23	A++	6,50	6,50	350
	8.000	8.000	9.000	—	—	—	—	—	—	—	—	—	—	—	—	—	—	—	—	—	—	—
	20M	20M	35M	—	1,91	1,91	3,28	—	2,62	7,10	8,45	0,76	2,20	2,94	3,31	9,56	12,80	3,23	A++	6,50	7,10	382
	8.000	8.000	12.000	—	—	—	—	—	—	—	—	—	—	—	—	—	—	—	—	—	—	—
	20M	20M	53M	—	1,71	1,71	4,39	—	2,62	7,80	8,45	0,76	2,41	2,94	3,31	10,50	12,80	3,23	A++	6,50	7,80	420
	8.000	8.000	18.000	—	—	—	—	—	—	—	—	—	—	—	—	—	—	—	—	—	—	—
	20M	27M	27M	—	1,90	2,45	2,68	—	2,62	6,80	8,45	0,76	2,11	2,94	3,31	9,15	12,80	3,23	A++	6,50	6,80	366
	8.000	9.000	9.000	—	—	—	—	—	—	—	—	—	—	—	—	—	—	—	—	—	—	—
	20M	27M	35M	—	1,88	2,41	3,21	—	2,62	7,50	8,45	0,76	2,32	2,94	3,31	10,10	12,80	3,23	A++	6,50	7,50	404
	8.000	9.000	12.000	—	—	—	—	—	—	—	—	—	—	—	—	—	—	—	—	—	—	—
	20M	27M	53M	—	1,61	2,06	4,13	—	2,62	7,80	8,45	0,76	2,41	2,94	3,31	10,50	12,80	3,23	A++	6,50	7,80	420
	8.000	9.000	18.000	—	—	—	—	—	—	—	—	—	—	—	—	—	—	—	—	—	—	—
	20M	35M	35M	—	1,76	3,02	3,02	—	2,62	7,80	8,45	0,76	2,41	2,94	3,31	10,50	12,80	3,23	A++	6,50	7,80	420
	8.000	12.000	12.000	—	—	—	—	—	—	—	—	—	—	—	—	—	—	—	—	—	—	—
	20M	35M	53M	—	1,48	2,53	3,79	—	2,62	7,80	8,45	0,76	2,41	2,94	3,31	10,50	12,80	3,23	A++	6,50	7,80	420
	8.000	12.000	18.000	—	—	—	—	—	—	—	—	—	—	—	—	—	—	—	—	—	—	—
	27M	27M	27M	—	2,37	2,37	2,37	—	2,62	7,10	8,45	0,76	2,20	2,94	3,31	9,56	12,80	3,23	A++	6,50	7,10	382
	9.000	9.000	9.000	—	—	—	—	—	—	—	—	—	—	—	—	—	—	—	—	—	—	—
	27M	27M	35M	—	2,34	2,34	3,12	—	2,62	7,80	8,45	0,76	2,41	2,94	3,31	10,50	12,80	3,23	A++	6,50	7,80	420
9.000	9.000	12.000	—	—	—	—	—	—	—	—	—	—	—	—	—	—	—	—	—	—	—	
27M	27M	53M	—	1,95	1,95	3,90	—	2,62	7,80	8,45	0,76	2,41	2,94	3,31	10,50	12,80	3,23	A++	6,50	7,80	420	
9.000	9.000	18.000	—	—	—	—	—	—	—	—	—	—	—	—	—	—	—	—	—	—	—	
27M	35M	35M	—	2,13	2,84	2,84	—	2,62	7,80	8,45	0,76	2,41	2,94	3,31	10,50	12,80	3,23	A++	6,50	7,80	420	
9.000	12.000	12.000	—	—	—	—	—	—	—	—	—	—	—	—	—	—	—	—	—	—	—	
27M	35M	53M	—	1,80	2,40	3,60	—	2,62	7,80	8,45	0,76	2,41	2,94	3,31	10,50	12,80	3,23	A++	6,50	7,80	420	
9.000	12.000	18.000	—	—	—	—	—	—	—	—	—	—	—	—	—	—	—	—	—	—	—	
35M	35M	35M	—	2,60	2,60	2,60	—	2,62	7,80	8,45	0,76	2,41	2,94	3,31	10,50	12,80	3,23	A++	6,50	7,80	420	
12.000	12.000	12.000	—	—	—	—	—	—	—	—	—	—	—	—	—	—	—	—	—	—	—	

COOLING

Notes Pd = Pdesign CEA = Annual Energy Consumption

COMBINATION TABLES

Outdoor unit: MU2-Y 82M (QUADRI)

OUTDOOR UNIT	INDOOR UNIT				COOLING CAPACITY [KW]				TOTAL COOLING CAPACITY [KW]			POWER INPUT COOLING [KW]			TOTAL COOLING CURRENT [A]			EER	SEASONAL EFFICIENCY (EN14825)			
	TO	B	C	D	TO	B	C	D	Min.	Std.	Max.	Min.	Std.	Max.	Min.	Std.	Max.		Class	SEER	Pd	CEA [kWh]
MU2-Y 82M (x4)	20M	20M	20M	20M	2,05	2,05	2,05	2,05	2,87	8,20	9,92	0,86	2,54	3,17	3,75	11,04	13,80	3,23	A++	7,20	8,20	399
	8.000	8.000	8.000	8.000																		
	20M	20M	20M	27M	1,91	1,91	1,91	2,46	2,87	8,20	9,92	0,86	2,54	3,17	3,75	11,04	13,80	3,23	A++	7,20	8,20	399
	8.000	8.000	8.000	9.000																		
	20M	20M	20M	35M	1,74	1,74	1,74	2,98	2,87	8,20	9,92	0,86	2,54	3,17	3,75	11,04	13,80	3,23	A++	7,20	8,20	399
	8.000	8.000	8.000	12.000																		
	20M	20M	20M	53M	1,47	1,47	1,47	3,78	2,87	8,20	9,92	0,86	2,54	3,17	3,75	11,04	13,80	3,23	A++	7,20	8,20	399
	8.000	8.000	8.000	18.000																		
	20M	20M	27M	27M	1,79	1,79	2,31	2,31	2,87	8,20	9,92	0,86	2,54	3,17	3,75	11,04	13,80	3,23	A++	7,20	8,20	399
	8.000	8.000	9.000	9.000																		
	20M	20M	27M	35M	1,64	1,64	2,11	2,81	2,87	8,20	9,92	0,86	2,54	3,17	3,75	11,04	13,80	3,23	A++	7,20	8,20	399
	8.000	8.000	9.000	12.000																		
	20M	20M	35M	35M	1,51	1,51	2,59	2,59	2,87	8,20	9,92	0,86	2,54	3,17	3,75	11,04	13,80	3,23	A++	7,20	8,20	399
	8.000	8.000	12.000	12.000																		
	20M	27M	27M	27M	1,69	2,17	2,17	2,17	2,87	8,20	9,92	0,86	2,54	3,17	3,75	11,04	13,80	3,23	A++	7,20	8,20	399
	8.000	9.000	9.000	9.000																		
20M	27M	27M	35M	1,55	1,99	1,99	2,66	2,87	8,20	9,92	0,86	2,54	3,17	3,75	11,04	13,80	3,23	A++	7,20	8,20	399	
8.000	9.000	9.000	12.000																			
20M	27M	35M	35M	1,44	1,85	2,46	2,46	2,87	8,20	9,92	0,86	2,54	3,17	3,75	11,04	13,80	3,23	A++	7,20	8,20	399	
8.000	9.000	12.000	12.000																			
27M	27M	27M	27M	2,05	2,05	2,05	2,05	2,87	8,20	9,92	0,86	2,54	3,17	3,75	11,04	13,80	3,23	A++	7,20	8,20	399	
9.000	9.000	9.000	9.000																			
27M	27M	27M	35M	1,89	1,89	1,89	2,52	2,87	8,20	9,92	0,86	2,54	3,17	3,75	11,04	13,80	3,23	A++	7,20	8,20	399	
9.000	9.000	9.000	12.000																			

Notes Pd = Pdesign CEA = Annual Energy Consumption

COMBINATION TABLES

Outdoor unit: MU2-Y 82M (QUADRI)

MULTISplit

OUTDOOR UNIT	INDOOR UNIT				HEATING CAPACITY [KW]				TOTAL HEATING CAPACITY [KW]			ABSORBED HEATING CAPACITY [KW]			TOTAL COOLING CURRENT [A]			COP	SEASONAL EFFICIENCY (EN14825)			
	TO	B	C	D	TO	B	C	D	Min.	Std.	Max.	Min.	Std.	Max.	Min.	Std.	Max.		Class	SCOP	Pd	CEA [kWh]
MU2-Y 82M (1x1)	20M	—	—	—	2,50	—	—	—	1,63	2,50	2,90	0,40	0,67	0,83	1,74	2,90	3,62	3,75	—	—	—	—
	8.000	—	—	—	—	—	—	—	—	—	—	—	—	—	—	—	—	—	—	—	—	
	27M	—	—	—	3,00	—	—	—	1,63	3,00	3,20	0,40	0,80	1,00	1,74	3,48	4,35	3,75	—	—	—	—
	9.000	—	—	—	—	—	—	—	—	—	—	—	—	—	—	—	—	—	—	—	—	
	35M	—	—	—	3,80	—	—	—	1,63	3,80	3,90	0,40	1,01	1,22	1,74	4,41	5,29	3,75	—	—	—	—
	12.000	—	—	—	—	—	—	—	—	—	—	—	—	—	—	—	—	—	—	—	—	—
MU2-Y 82M (1x2)	53M	—	—	—	5,60	—	—	—	1,85	5,60	6,78	0,50	1,48	1,70	2,17	6,44	7,41	3,78	—	—	—	—
	18.000	—	—	—	—	—	—	—	—	—	—	—	—	—	—	—	—	—	—	—	—	
	20M	20M	—	—	2,50	2,50	—	—	2,20	5,00	6,51	0,59	1,31	1,90	2,58	5,71	8,25	3,81	TO	3,40	3,85	1585
	8.000	8.000	—	—	—	—	—	—	—	—	—	—	—	—	—	—	—	—	—	—	—	—
	20M	27M	—	—	2,45	3,15	—	—	2,20	5,60	6,86	0,59	1,47	2,02	2,58	6,39	8,77	3,81	TO	3,40	4,31	1776
	8.000	9.000	—	—	—	—	—	—	—	—	—	—	—	—	—	—	—	—	—	—	—	—
	20M	35M	—	—	2,21	3,79	—	—	2,20	6,00	7,30	0,59	1,57	2,13	2,58	6,85	9,28	3,81	TO	3,40	4,62	1902
	8.000	12.000	—	—	—	—	—	—	—	—	—	—	—	—	—	—	—	—	—	—	—	—
	20M	53M	—	—	2,18	5,62	—	—	2,20	7,80	8,10	0,59	2,03	2,61	2,58	8,81	11,34	3,85	TO	3,40	6,01	2473
	8.000	18.000	—	—	—	—	—	—	—	—	—	—	—	—	—	—	—	—	—	—	—	—
	27M	27M	—	—	3,00	3,00	—	—	2,20	6,00	7,30	0,59	1,57	2,13	2,58	6,85	9,28	3,81	TO	3,40	4,62	1902
	9.000	9.000	—	—	—	—	—	—	—	—	—	—	—	—	—	—	—	—	—	—	—	—
	27M	35M	—	—	3,00	4,00	—	—	2,20	7,00	7,48	0,59	1,84	2,25	2,58	7,99	9,80	3,81	TO	3,40	5,39	2219
	9.000	12.000	—	—	—	—	—	—	—	—	—	—	—	—	—	—	—	—	—	—	—	—
	27M	53M	—	—	2,63	5,27	—	—	2,20	7,90	8,10	0,59	2,05	2,61	2,58	8,92	11,34	3,85	TO	3,40	6,08	2505
	9.000	18.000	—	—	—	—	—	—	—	—	—	—	—	—	—	—	—	—	—	—	—	—
	35M	35M	—	—	3,75	3,75	—	—	2,20	7,50	7,92	0,59	1,97	2,32	2,58	8,56	10,11	3,81	TO	3,40	5,78	2378
	12.000	12.000	—	—	—	—	—	—	—	—	—	—	—	—	—	—	—	—	—	—	—	—
	35M	53M	—	—	3,20	4,80	—	—	2,20	8,00	8,10	0,59	2,08	2,61	2,58	9,03	11,34	3,85	TO	3,40	6,08	2505
	12.000	18.000	—	—	—	—	—	—	—	—	—	—	—	—	—	—	—	—	—	—	—	—
53M	53M	—	—	4,00	4,00	—	—	2,20	8,00	8,10	0,59	2,08	2,61	2,58	9,03	11,34	3,85	TO	3,40	6,08	2505	
18.000	18.000	—	—	—	—	—	—	—	—	—	—	—	—	—	—	—	—	—	—	—	—	
MU2-Y 82M (1x3)	20M	20M	20M	—	2,33	2,33	2,33	—	2,82	7,00	9,06	0,71	1,89	2,75	3,09	8,20	11,96	3,71	TO	3,80	5,39	1986
	8.000	8.000	8.000	—	—	—	—	—	—	—	—	—	—	—	—	—	—	—	—	—	—	—
	20M	20M	27M	—	2,37	2,37	3,05	—	2,82	7,80	9,06	0,71	2,10	2,75	3,09	9,14	11,96	3,71	TO	3,80	6,01	2213
	8.000	8.000	9.000	—	—	—	—	—	—	—	—	—	—	—	—	—	—	—	—	—	—	—
	20M	20M	35M	—	2,26	2,26	3,88	—	2,82	8,40	9,06	0,71	2,26	2,75	3,09	9,84	11,96	3,71	TO	3,80	6,10	2247
	8.000	8.000	12.000	—	—	—	—	—	—	—	—	—	—	—	—	—	—	—	—	—	—	—
	20M	20M	53M	—	1,88	1,88	4,84	—	2,82	8,60	9,06	0,71	2,32	2,75	3,09	10,08	11,96	3,71	TO	3,80	6,20	2284
	8.000	8.000	18.000	—	—	—	—	—	—	—	—	—	—	—	—	—	—	—	—	—	—	—
	20M	27M	27M	—	2,35	3,02	2,68	—	2,82	8,40	9,06	0,71	2,26	2,75	3,09	9,84	11,96	3,71	TO	3,80	6,10	2247
	8.000	9.000	9.000	—	—	—	—	—	—	—	—	—	—	—	—	—	—	—	—	—	—	—
	20M	27M	35M	—	2,13	2,73	3,64	—	2,82	8,50	9,06	0,71	2,29	2,75	3,09	9,96	11,96	3,71	TO	3,80	6,20	2284
	8.000	9.000	12.000	—	—	—	—	—	—	—	—	—	—	—	—	—	—	—	—	—	—	—
	20M	27M	53M	—	1,77	2,28	4,55	—	2,82	8,60	9,06	0,71	2,32	2,75	3,09	10,08	11,96	3,71	TO	3,80	6,20	2284
	8.000	9.000	18.000	—	—	—	—	—	—	—	—	—	—	—	—	—	—	—	—	—	—	—
	20M	35M	35M	—	1,94	3,33	3,33	—	2,82	8,60	9,06	0,71	2,32	2,75	3,09	10,08	11,96	3,71	TO	3,80	6,20	2284
	8.000	12.000	12.000	—	—	—	—	—	—	—	—	—	—	—	—	—	—	—	—	—	—	—
	20M	35M	53M	—	1,63	2,79	4,18	—	2,82	8,60	9,06	0,71	2,32	2,75	3,09	10,08	11,96	3,71	TO	3,80	6,20	2284
	8.000	12.000	18.000	—	—	—	—	—	—	—	—	—	—	—	—	—	—	—	—	—	—	—
	27M	27M	27M	—	2,87	2,87	2,87	—	2,82	8,60	9,06	0,71	2,32	2,75	3,09	10,08	11,96	3,71	TO	3,80	6,20	2284
	9.000	9.000	9.000	—	—	—	—	—	—	—	—	—	—	—	—	—	—	—	—	—	—	—
27M	27M	35M	—	2,58	2,58	3,44	—	2,82	8,60	9,06	0,71	2,32	2,75	3,09	10,08	11,96	3,71	TO	3,80	6,20	2284	
9.000	9.000	12.000	—	—	—	—	—	—	—	—	—	—	—	—	—	—	—	—	—	—	—	
27M	27M	53M	—	2,15	2,15	4,30	—	2,82	8,60	9,06	0,71	2,32	2,75	3,09	10,08	11,96	3,71	TO	3,80	6,20	2284	
9.000	9.000	18.000	—	—	—	—	—	—	—	—	—	—	—	—	—	—	—	—	—	—	—	
27M	35M	35M	—	2,35	3,13	3,13	—	2,82	8,60	9,06	0,71	2,32	2,75	3,09	10,08	11,96	3,71	TO	3,80	6,20	2284	
9.000	12.000	12.000	—	—	—	—	—	—	—	—	—	—	—	—	—	—	—	—	—	—	—	
27M	35M	53M	—	1,98	2,65	3,97	—	2,82	8,60	9,06	0,71	2,32	2,75	3,09	10,08	11,96	3,71	TO	3,80	6,20	2284	
9.000	12.000	18.000	—	—	—	—	—	—	—	—	—	—	—	—	—	—	—	—	—	—	—	
35M	35M	35M	—	2,87	2,87	2,87	—	2,82	8,60	9,06	0,71	2,32	2,75	3,09	10,08	11,96	3,71	TO	3,80	6,20	2284	
12.000	12.000	12.000	—	—	—	—	—	—	—	—	—	—	—	—	—	—	—	—	—	—	—	

Notes Pd = Pdesign CEA = Annual Energy Consumption

COMBINATION TABLES

Outdoor unit: MU2-Y 82M (QUADRI)

OUTDOOR UNIT	INDOOR UNIT				HEATING CAPACITY [KW]				TOTAL HEATING CAPACITY [KW]			ABSORBED HEATING CAPACITY [KW]			TOTAL COOLING CURRENT [A]			COP	SEASONAL EFFICIENCY (EN14825)			
	TO	B	C	D	TO	B	C	D	Min.	Std.	Max.	Min.	Std.	Max.	Min.	Std.	Max.		Class	SCOP	Pd	CEA [kWh]
MU2-Y 82M (1x4)	20M 8.000	20M 8.000	20M 8.000	20M 8.000	2,20	2,20	2,20	2,20	3,08	8,80	10,65	0,81	2,37	2,96	3,51	10,31	12,89	3,71	A+	4,01	6,70	2345
	20M 8.000	20M 8.000	20M 8.000	27M 9.000	2,05	2,05	2,05	2,64	3,08	8,80	10,65	0,81	2,37	2,96	3,51	10,31	12,89	3,71	A+	4,01	6,70	2345
	20M 8.000	20M 8.000	20M 8.000	35M 12.000	1,87	1,87	1,87	3,20	3,08	8,80	10,65	0,81	2,37	2,96	3,51	10,31	12,89	3,71	A+	4,01	6,70	2345
	20M 8.000	20M 8.000	20M 8.000	53M 18.000	1,58	1,58	1,58	4,06	3,08	8,80	10,65	0,81	2,37	2,96	3,51	10,31	12,89	3,71	A+	4,01	6,70	2345
	20M 8.000	20M 8.000	27M 9.000	27M 9.000	1,93	1,93	2,48	2,48	3,08	8,80	10,65	0,81	2,37	2,96	3,51	10,31	12,89	3,71	A+	4,01	6,70	2345
	20M 8.000	20M 8.000	27M 9.000	35M 12.000	1,76	1,76	2,26	3,02	3,08	8,80	10,65	0,81	2,37	2,96	3,51	10,31	12,89	3,71	A+	4,01	6,70	2345
	20M 8.000	20M 8.000	35M 12.000	35M 12.000	1,62	1,62	2,78	2,78	3,08	8,80	10,65	0,81	2,37	2,96	3,51	10,31	12,89	3,71	A+	4,01	6,70	2345
	20M 8.000	27M 9.000	27M 9.000	27M 9.000	1,81	2,33	2,33	2,33	3,08	8,80	10,65	0,81	2,37	2,96	3,51	10,31	12,89	3,71	A+	4,01	6,70	2345
	20M 8.000	27M 9.000	27M 9.000	35M 12.000	1,66	2,14	2,14	2,85	3,08	8,80	10,65	0,81	2,37	2,96	3,51	10,31	12,89	3,71	A+	4,01	6,70	2345
	20M 8.000	27M 9.000	35M 12.000	35M 12.000	1,54	1,98	2,64	2,64	3,08	8,80	10,65	0,81	2,37	2,96	3,51	10,31	12,89	3,71	A+	4,01	6,70	2345
	27M 9.000	27M 9.000	27M 9.000	27M 9.000	2,20	2,20	2,20	2,20	3,08	8,80	10,65	0,81	2,37	2,96	3,51	10,31	12,89	3,71	A+	4,01	6,70	2345
	27M 9.000	27M 9.000	27M 9.000	35M 12.000	2,03	2,03	2,03	2,71	3,08	8,80	10,65	0,81	2,37	2,96	3,51	10,31	12,89	3,71	A+	4,01	6,70	2345

Notes Pd = Pdesign CEA = Annual Energy Consumption

COMBINATION TABLES

Outdoor unit: MU2-Y 105M (QUADRI)

MULTISplit

OUTDOOR UNIT	INDOOR UNIT				COOLING CAPACITY [KW]				TOTAL COOLING CAPACITY [KW]			POWER INPUT COOLING [KW]			TOTAL COOLING CURRENT [A]			EER	SEASONAL EFFICIENCY (EN14825)				
	TO	B	C	D	TO	B	C	D	Min.	Std.	Max.	Min.	Std.	Max.	Min.	Std.	Max.		Class	SEER	Pd	CEA [kWh]	
MU2-Y 105M (1x1)	20M 8.000	—	—	—	2,00	—	—	—	1,58	2,00	2,90	0,45	0,61	0,76	1,96	2,65	3,31	3,28	—	—	—	—	
	27M 9.000	—	—	—	2,50	—	—	—	1,58	2,50	3,20	0,45	0,76	0,95	1,96	3,31	4,14	3,28	—	—	—	—	
	35M 12.000	—	—	—	3,50	—	—	—	1,58	3,50	3,90	0,45	1,07	1,28	1,96	4,64	5,57	3,28	—	—	—	—	
	53M 18.000	—	—	—	5,00	—	—	—	1,79	5,00	6,50	0,58	1,52	1,75	2,52	6,63	7,62	3,28	—	—	—	—	
	70M 24.000	—	—	—	7,00	—	—	—	2,21	7,00	8,00	0,62	2,13	2,45	2,70	9,28	10,67	3,28	—	—	—	—	
	HYDRO-M	—	—	—	10,60	—	—	—	-	10,60	-	-	3,50	-	-	-	-	-	3,01	-	-	-	-
	20M 8.000	20M 8.000	—	—	2,10	2,10	—	—	2,22	4,20	6,33	0,62	1,28	2,12	2,70	5,57	9,23	3,28	TO	5,10	4,20	288	
	20M 8.000	27M 9.000	—	—	2,06	2,64	—	—	2,22	4,70	6,54	0,62	1,43	2,29	2,70	6,23	9,94	3,28	TO	5,10	4,70	323	
20M 8.000	35M 12.000	—	—	2,03	3,47	—	—	2,22	5,50	6,86	0,62	1,68	2,45	2,70	7,29	10,65	3,28	TO	5,10	5,50	377		
20M 8.000	53M 18.000	—	—	1,96	5,04	—	—	2,22	7,00	8,44	0,62	2,13	2,87	2,70	9,28	12,50	3,28	TO	5,20	7,00	471		
20M 8.000	70M 24.000	—	—	2,03	6,97	—	—	2,22	9,00	9,50	0,62	2,74	3,06	2,69	11,93	13,29	3,28	TO	5,20	9,00	606		
27M 9.000	27M 9.000	—	—	2,65	2,65	—	—	2,22	5,30	6,86	0,62	1,62	2,45	2,70	7,03	10,65	3,28	TO	5,20	5,30	357		
27M 9.000	35M 12.000	—	—	2,57	3,43	—	—	2,22	6,00	7,39	0,62	1,83	2,61	2,70	7,95	11,36	3,28	TO	5,20	6,00	404		
27M 9.000	53M 18.000	—	—	2,50	5,00	—	—	2,22	7,50	9,50	0,62	2,29	2,94	2,70	9,94	12,78	3,28	TO	5,20	7,50	505		
27M 9.000	70M 24.000	—	—	2,59	6,91	—	—	2,22	9,50	10,02	0,62	2,90	3,12	2,69	12,59	13,57	3,28	TO	5,20	9,50	639		
35M 12.000	35M 12.000	—	—	3,50	3,50	—	—	2,22	7,00	7,91	0,62	2,13	2,78	2,70	9,28	12,07	3,28	TO	5,20	7,00	471		
35M 12.000	53M 18.000	—	—	3,40	5,10	—	—	2,22	8,50	10,02	0,62	2,59	2,94	2,70	11,27	12,78	3,28	TO	5,20	8,50	572		
35M 12.000	70M 24.000	—	—	3,33	6,67	—	—	2,22	10,00	10,55	0,62	3,09	3,19	2,69	13,42	13,85	3,24	TO	5,20	10,00	673		
53M 18.000	53M 18.000	—	—	5,00	5,00	—	—	2,22	10,00	10,55	0,62	3,09	3,27	2,70	13,42	14,20	3,24	TO	5,20	10,00	673		

Notes Pd = Pdesign CEA = Annual Energy Consumption

COMBINATION TABLES

Outdoor unit: MU2-Y 105M (QUADRI)

OUTDOOR UNIT	INDOOR UNIT				COOLING CAPACITY [KW]				TOTAL COOLING CAPACITY [KW]			POWER INPUT COOLING [KW]			TOTAL COOLING CURRENT [A]			EER	SEASONAL EFFICIENCY (EN14825)			
	TO	B	C	D	TO	B	C	D	Min.	Std.	Max.	Min.	Std.	Max.	Min.	Std.	Max.		Class	SEER	Pd	CEA [kWh]
MU2-Y 105M (1x3)	20M	20M	20M	—	2,00	2,00	2,00	—	2,85	6,00	7,39	0,78	1,80	2,94	3,41	7,83	12,78	3,33	A+	5,60	6,00	375
	8.000	8.000	8.000	—	1,98	1,98	2,54	—	2,85	6,50	7,91	0,78	1,98	3,10	3,41	8,62	13,49	3,28	A+	5,60	6,50	406
	20M	20M	27M	—	2,02	2,02	3,46	—	2,85	7,50	8,97	0,78	2,29	3,27	3,41	9,94	14,20	3,28	A+	5,60	7,50	469
	8.000	8.000	12.000	—	1,97	1,97	5,06	—	2,85	9,00	11,61	0,78	2,74	3,59	3,41	11,93	15,62	3,28	A+	5,80	9,00	543
	20M	20M	70M	—	1,84	1,84	6,32	—	2,85	10,00	11,61	0,78	3,09	3,59	3,41	13,42	15,62	3,24	A+	5,80	10,00	603
	8.000	8.000	24.000	—	1,96	2,52	2,52	—	2,85	7,00	8,97	0,78	2,13	3,27	3,41	9,28	14,20	3,28	A+	5,80	7,00	422
	20M	27M	27M	—	2,00	2,57	3,43	—	2,85	8,00	10,02	0,78	2,44	3,43	3,41	10,60	14,91	3,28	A+	5,80	8,00	483
	8.000	9.000	12.000	—	1,96	2,51	5,03	—	2,85	9,50	11,61	0,78	2,93	3,59	3,41	12,75	15,62	3,24	A+	5,80	9,50	573
	20M	27M	70M	—	1,75	2,25	6,00	—	2,85	10,00	11,61	0,78	3,09	3,59	3,41	13,42	15,62	3,24	A+	5,80	10,00	603
	8.000	9.000	24.000	—	2,03	3,48	3,48	—	2,85	9,00	10,55	0,78	2,78	3,43	3,41	12,08	14,91	3,24	A+	5,80	9,00	543
	20M	35M	35M	—	1,89	3,24	4,86	—	2,85	10,00	11,61	0,78	3,09	3,59	3,41	13,42	15,62	3,24	A+	5,80	10,00	603
	8.000	12.000	18.000	—	1,63	2,79	5,58	—	2,85	10,00	11,61	0,78	3,09	3,59	3,41	13,42	15,62	3,24	A+	5,80	10,00	603
	20M	35M	70M	—	1,63	4,19	4,19	—	2,85	10,00	11,61	0,78	3,09	3,59	3,41	13,42	15,62	3,24	A+	5,80	10,00	603
	8.000	18.000	18.000	—	2,50	2,50	2,50	—	2,85	7,50	10,02	0,78	2,31	3,43	3,41	10,06	14,91	3,24	A+	5,80	7,50	453
	27M	27M	27M	—	2,55	2,55	3,40	—	2,85	8,50	10,55	0,78	2,62	3,43	3,41	11,41	14,91	3,24	A+	5,80	8,50	513
	9.000	9.000	9.000	—	2,50	2,50	5,00	—	2,85	10,00	11,61	0,78	3,09	3,59	3,41	13,42	15,62	3,24	A+	5,80	10,00	603
	27M	27M	53M	—	2,14	2,14	5,71	—	2,85	10,00	11,61	0,78	3,09	3,59	3,41	13,42	15,62	3,24	A+	5,80	10,00	603
	9.000	9.000	18.000	—	2,59	3,45	3,45	—	2,85	9,50	11,61	0,78	2,93	3,59	3,41	12,75	15,62	3,24	A+	5,80	9,50	573
	27M	35M	35M	—	2,31	3,08	4,62	—	2,85	10,00	11,61	0,78	3,09	3,59	3,41	13,42	15,62	3,24	A+	5,80	10,00	603
	9.000	12.000	18.000	—	2,00	2,67	5,33	—	2,85	10,00	11,61	0,78	3,09	3,59	3,41	13,42	15,62	3,24	A+	5,80	10,00	603
	27M	35M	70M	—	2,00	4,00	4,00	—	2,85	10,00	11,61	0,78	3,09	3,59	3,41	13,42	15,62	3,24	A+	5,80	10,00	603
	9.000	18.000	18.000	—	3,33	3,33	3,33	—	2,85	10,00	11,61	0,78	3,09	3,59	3,41	13,42	15,62	3,24	A+	5,80	10,00	603
	35M	35M	35M	—	2,86	2,86	4,29	—	2,85	10,00	11,61	0,78	3,09	3,59	3,41	13,42	15,62	3,24	A+	5,80	10,00	603
	12.000	12.000	12.000	—	2,50	2,50	5,00	—	2,85	10,00	11,61	0,78	3,09	3,59	3,41	13,42	15,62	3,24	A+	5,80	10,00	603
	35M	35M	70M	—	2,50	3,75	3,75	—	2,85	10,00	11,61	0,78	3,09	3,59	3,41	13,42	15,62	3,24	A+	5,80	10,00	603
	12.000	12.000	24.000	—	2,50	3,75	3,75	—	2,85	10,00	11,61	0,78	3,09	3,59	3,41	13,42	15,62	3,24	A+	5,80	10,00	603
	35M	53M	53M	—	2,50	3,75	3,75	—	2,85	10,00	11,61	0,78	3,09	3,59	3,41	13,42	15,62	3,24	A+	5,80	10,00	603
	12.000	18.000	18.000	—																		

MULTISplit

COOLING

Notes Pd = Pdesign CEA = Annual Energy Consumption

COMBINATION TABLES

Outdoor unit: MU2-Y 105M (QUADRI)

OUTDOOR UNIT	INDOOR UNIT				HEATING CAPACITY [KW]				TOTAL HEATING CAPACITY [KW]			ABSORBED HEATING CAPACITY [KW]			TOTAL COOLING CURRENT [A]			COP	SEASONAL EFFICIENCY (EN14825)				
	TO	B	C	D	TO	B	C	D	Min.	Std.	Max.	Min.	Std.	Max.	Min.	Std.	Max.		Class	SCOP	Pd	CEA [kWh]	
MU2-Y 105M (1x4)	20M	—	—	—	3,00	—	—	—	1,58	3,00	3,20	0,45	0,81	1,01	1,96	3,52	4,39	3,71	—	—	—	—	
	8.000	—	—	—	3,80	—	—	—	1,58	3,80	3,90	0,45	1,02	1,23	1,96	4,45	5,34	3,71	—	—	—	—	
	27M	—	—	—	5,20	—	—	—	1,79	5,20	7,00	0,55	1,40	1,61	2,39	6,09	7,01	3,71	—	—	—	—	
	9.000	—	—	—	7,20	—	—	—	1,79	7,20	8,00	0,58	1,94	2,23	2,52	8,44	9,70	3,71	—	—	—	—	
	35M	—	—	—	11,10	—	—	—	-	11,10	-	-	3,00	-	-	-	-	-	3,71	TO	3,80	8,80	3246
	12.000	—	—	—	2,50	2,50	—	—	2,22	5,00	6,33	0,54	1,35	1,85	2,35	5,86	8,04	3,71	TO	3,40	4,34	1787	
	53M	—	—	—	2,45	3,15	—	—	2,22	5,60	6,54	0,54	1,51	1,99	2,35	6,56	8,65	3,71	TO	3,40	3,88	1596	
	18.000	—	—	—	2,21	3,79	—	—	2,22	6,00	6,86	0,54	1,62	2,13	2,35	7,03	9,27	3,71	TO	3,40	4,34	1787	
MU2-Y 105M (1x2)	20M	20M	—	—	2,24	5,76	—	—	2,22	8,00	8,44	0,54	2,16	2,50	2,35	9,38	10,88	3,71	TO	3,40	4,65	1915	
	8.000	8.000	—	—	2,17	7,43	—	—	2,22	9,60	10,23	0,54	2,59	2,67	2,35	11,25	11,62	3,71	TO	3,40	4,65	1915	
	20M	27M	—	—	3,00	3,00	—	—	2,22	6,00	6,86	0,54	1,62	2,13	2,35	7,03	9,27	3,71	TO	3,40	6,20	2553	
	8.000	9.000	—	—	3,00	4,00	—	—	2,22	7,00	7,39	0,54	1,89	2,27	2,35	8,20	9,89	3,71	TO	3,40	4,65	1915	
	20M	35M	—	—	2,93	5,87	—	—	2,22	8,80	9,50	0,54	2,37	2,56	2,35	10,31	11,13	3,71	TO	3,40	5,43	2234	
	8.000	12.000	—	—	2,67	7,13	—	—	2,22	9,80	10,13	0,54	2,64	2,70	2,35	11,48	11,75	3,71	TO	3,40	4,65	1915	
	20M	53M	—	—	3,75	3,75	—	—	2,22	7,50	7,91	0,54	2,02	2,42	2,35	8,79	10,51	3,71	TO	3,40	6,82	2808	
	8.000	18.000	—	—	3,76	5,64	—	—	2,22	9,40	10,02	0,54	2,53	2,56	2,35	11,02	11,13	3,71	TO	3,40	5,81	2393	
	20M	70M	—	—	3,33	6,67	—	—	2,22	10,00	10,34	0,54	2,70	2,79	2,35	11,72	12,12	3,71	TO	3,40	4,65	1915	
	8.000	24.000	—	—	5,05	5,05	—	—	2,22	10,10	10,55	0,54	2,72	2,84	2,35	11,84	12,36	3,71	TO	3,50	7,29	2914	
	27M	27M	—	—	5,05	5,05	—	—	2,33	10,10	11,10	0,57	2,72	2,99	2,51	12,16	13,19	3,71	TO	3,60	7,29	2833	
	9.000	9.000	—	—																			
	27M	35M	—	—																			
	9.000	12.000	—	—																			
	27M	53M	—	—																			
	9.000	18.000	—	—																			
27M	70M	—	—																				
9.000	24.000	—	—																				
35M	35M	—	—																				
12.000	12.000	—	—																				
35M	53M	—	—																				
12.000	18.000	—	—																				
35M	70M	—	—																				
12.000	24.000	—	—																				
53M	53M	—	—																				
18.000	18.000	—	—																				

MULTISplit

Notes Pd = Pdesign CEA = Annual Energy Consumption

COMBINATION TABLES

Outdoor unit: MU2-Y 105M (QUADRI)

MULTISplit

OUTDOOR UNIT	INDOOR UNIT				HEATING CAPACITY [KW]				TOTAL HEATING CAPACITY [KW]			ABSORBED HEATING CAPACITY [KW]			TOTAL COOLING CURRENT [A]			COP	SEASONAL EFFICIENCY (EN14825)			
	TO	B	C	D	TO	B	C	D	Min.	Std.	Max.	Min.	Std.	Max.	Min.	Std.	Max.		Class	SCOP	Pd	CEA [kWh]
MU2-Y 105M (1x3)	20M	20M	20M	—	2,50	2,50	2,50	—	2,85	7,50	7,39	0,68	2,02	2,56	2,97	8,79	11,13	3,71	TO	3,60	8,40	3267
	8.000	8.000	8.000	—	2,37	2,37	3,05	—	2,85	7,80	7,91	0,68	2,10	2,70	2,97	9,14	11,75	3,71	TO	3,60	5,81	2260
	20M	20M	27M	—	2,29	2,29	3,92	—	2,85	8,50	8,97	0,68	2,29	2,84	2,97	9,96	12,36	3,71	TO	3,60	6,05	2351
	8.000	8.000	9.000	—	2,34	2,34	6,02	—	2,85	10,70	11,61	0,68	2,88	3,13	2,97	12,54	13,60	3,71	TO	3,60	6,59	2562
	20M	20M	35M	—	1,97	1,97	6,76	—	2,85	10,70	11,61	0,68	2,88	3,13	2,97	12,54	13,60	3,71	TO	3,60	6,59	2562
	8.000	8.000	12.000	—	2,38	3,06	3,06	—	2,85	8,50	8,97	0,68	2,29	2,84	2,97	9,96	12,36	3,71	TO	3,60	8,60	3344
	20M	27M	27M	—	2,50	3,21	4,29	—	2,85	10,00	10,02	0,68	2,70	2,99	2,97	11,72	12,98	3,71	TO	3,60	6,59	2562
	8.000	9.000	9.000	—	2,20	2,83	5,66	—	2,85	10,70	11,61	0,68	2,88	3,13	2,97	12,54	13,60	3,71	TO	3,60	7,75	3014
	20M	27M	35M	—	1,87	2,41	6,42	—	2,85	10,70	11,61	0,68	2,88	3,13	2,97	12,54	13,60	3,71	TO	3,60	7,75	3014
	8.000	9.000	12.000	—	2,28	3,91	3,91	—	2,85	10,10	10,55	0,68	2,72	2,99	2,97	11,84	12,98	3,71	TO	3,60	8,60	3344
	20M	35M	35M	—	2,02	3,47	5,21	—	2,85	10,70	11,61	0,68	2,88	3,13	2,97	12,54	13,60	3,71	TO	3,60	8,40	3267
	8.000	12.000	12.000	—	1,74	2,99	5,97	—	2,85	10,70	11,61	0,68	2,88	3,13	2,97	12,54	13,60	3,71	TO	3,60	8,40	3267
	20M	35M	70M	—	1,74	4,48	4,48	—	2,85	10,70	11,61	0,68	2,88	3,13	2,97	12,54	13,60	3,71	TO	3,60	8,60	3344
	8.000	18.000	18.000	—	3,33	3,33	3,33	—	2,85	10,00	10,02	0,68	2,70	2,99	2,97	11,72	12,98	3,71	TO	3,60	8,60	3344
	9.000	9.000	9.000	—	3,03	3,03	4,04	—	2,85	10,10	10,55	0,68	2,72	2,99	2,97	11,84	12,98	3,71	TO	3,60	7,75	3014
	27M	27M	35M	—	2,68	2,68	5,35	—	2,85	10,70	11,61	0,68	2,88	3,13	2,97	12,54	13,60	3,71	TO	3,60	8,40	3267
	9.000	9.000	12.000	—	2,29	2,29	6,11	—	2,73	10,70	11,11	0,65	2,88	2,99	2,84	12,54	13,02	3,71	TO	3,60	8,40	3267
	27M	27M	70M	—	2,92	3,89	3,89	—	2,85	10,70	11,61	0,68	2,88	3,13	2,97	12,54	13,60	3,71	TO	3,60	8,60	3344
	9.000	12.000	12.000	—	2,47	3,29	4,94	—	2,85	10,70	11,61	0,68	2,88	3,13	2,97	12,54	13,60	3,71	TO	3,60	8,60	3344
	27M	35M	53M	—	2,14	2,85	5,71	—	2,85	10,70	11,61	0,68	2,88	3,13	2,97	12,54	13,60	3,71	TO	3,60	8,60	3344
	9.000	12.000	24.000	—	2,14	4,28	4,28	—	2,85	10,70	11,61	0,68	2,88	3,13	2,97	12,54	13,60	3,71	TO	3,60	8,60	3344
	27M	53M	53M	—	3,57	3,57	3,57	—	2,85	10,70	11,61	0,68	2,88	3,13	2,97	12,54	13,60	3,71	TO	3,60	8,60	3344
	12.000	12.000	12.000	—	3,06	3,06	4,59	—	2,85	10,70	11,61	0,68	2,88	3,13	2,97	12,54	13,60	3,71	TO	3,60	8,60	3344
	35M	35M	53M	—	2,68	2,68	5,35	—	2,85	10,70	11,61	0,68	2,88	3,13	2,97	12,54	13,60	3,71	TO	3,60	8,60	3344
	12.000	12.000	18.000	—	2,68	4,01	4,01	—	2,85	10,70	11,61	0,68	2,88	3,13	2,97	12,54	13,60	3,71	TO	3,60	8,60	3344
	35M	35M	70M	—	2,68	2,68	5,35	—	2,85	10,70	11,61	0,68	2,88	3,13	2,97	12,54	13,60	3,71	TO	3,60	8,60	3344
	12.000	12.000	24.000	—	2,68	4,01	4,01	—	2,85	10,70	11,61	0,68	2,88	3,13	2,97	12,54	13,60	3,71	TO	3,60	8,60	3344
	35M	53M	53M	—	2,68	4,01	4,01	—	2,85	10,70	11,61	0,68	2,88	3,13	2,97	12,54	13,60	3,71	TO	3,60	8,60	3344
	12.000	18.000	18.000	—	2,68	4,01	4,01	—	2,85	10,70	11,61	0,68	2,88	3,13	2,97	12,54	13,60	3,71	TO	3,60	8,60	3344

Notes Pd = Pdesign CEA = Annual Energy Consumption

COMBINATION TABLES

Outdoor unit: MU2-Y 105M (QUADRI)

OUTDOOR UNIT	INDOOR UNIT				HEATING CAPACITY [KW]				TOTAL HEATING CAPACITY [KW]			ABSORBED HEATING CAPACITY [KW]			TOTAL COOLING CURRENT [A]			COP	SEASONAL EFFICIENCY (EN14825)			
	TO	B	C	D	TO	B	C	D	Min.	Std.	Max.	Min.	Std.	Max.	Min.	Std.	Max.		Class	SCOP	Pd	CEA [kWh]
MU2-Y 105M (1x4)	20M 8.000	20M 8.000	20M 8.000	20M 8.000	2,50	2,50	2,50	2,50	3,69	10,00	10,55	0,77	2,70	2,84	3,34	11,72	12,36	3,71	TO	3,80	8,60	3168
	20M 8.000	20M 8.000	20M 8.000	27M 9.000	2,36	2,36	2,36	3,03	3,69	10,10	11,08	0,77	2,72	2,99	3,34	11,84	12,98	3,71	TO	3,80	7,75	2855
	20M 8.000	20M 8.000	20M 8.000	35M 12.000	2,31	2,31	2,31	3,96	3,69	10,90	11,61	0,77	2,94	3,13	3,34	12,77	13,60	3,71	TO	3,80	8,50	3132
	20M 8.000	20M 8.000	20M 8.000	53M 18.000	1,99	1,99	1,99	5,12	3,69	11,10	12,66	0,77	2,99	3,70	3,34	13,01	16,07	3,71	TO	3,80	8,80	3242
	20M 8.000	20M 8.000	20M 8.000	70M 24.000	1,73	1,73	1,73	5,92	3,69	11,10	12,66	0,77	2,99	3,70	3,34	13,01	16,07	3,71	TO	3,80	8,80	3242
	20M 8.000	20M 8.000	27M 9.000	27M 9.000	2,38	2,38	3,07	3,07	3,69	10,90	11,61	0,77	2,94	3,13	3,34	12,77	13,60	3,71	TO	3,80	8,80	3242
	20M 8.000	20M 8.000	27M 9.000	35M 12.000	2,22	2,22	2,85	3,81	3,69	11,10	12,13	0,77	2,99	3,41	3,34	13,01	14,84	3,71	TO	3,80	8,80	3242
	20M 8.000	20M 8.000	27M 9.000	53M 18.000	1,90	1,90	2,44	4,87	3,69	11,10	12,66	0,77	2,99	3,70	3,34	13,01	16,07	3,71	TO	3,80	8,80	3242
	20M 8.000	20M 8.000	27M 9.000	70M 24.000	1,65	1,65	2,13	5,67	3,69	11,10	12,66	0,77	2,99	3,70	3,34	13,01	16,07	3,71	TO	3,80	8,80	3242
	20M 8.000	20M 8.000	35M 12.000	35M 12.000	2,04	2,04	3,51	3,51	3,69	11,10	12,66	0,77	2,99	3,70	3,34	13,01	16,07	3,71	TO	3,80	8,80	3242
	20M 8.000	20M 8.000	35M 12.000	53M 18.000	1,77	1,77	3,03	4,54	3,69	11,10	12,66	0,77	2,99	3,70	3,34	13,01	16,07	3,71	TO	3,80	8,80	3242
	20M 8.000	20M 8.000	53M 18.000	53M 18.000	1,55	1,55	4,00	4,00	3,69	11,10	12,66	0,77	2,99	3,70	3,34	13,01	16,07	3,71	TO	3,80	8,80	3242
	20M 8.000	27M 9.000	27M 9.000	27M 9.000	2,29	2,94	2,94	2,94	3,69	11,10	12,13	0,77	2,99	3,27	3,34	13,01	14,22	3,71	TO	3,80	8,80	3242
	20M 8.000	27M 9.000	27M 9.000	35M 12.000	2,10	2,70	2,70	3,60	3,69	11,10	12,66	0,77	2,99	3,70	3,34	13,01	16,07	3,71	TO	3,80	8,80	3242
	20M 8.000	27M 9.000	27M 9.000	53M 18.000	1,81	2,32	2,32	4,65	3,69	11,10	12,66	0,77	2,99	3,70	3,34	13,01	16,07	3,71	TO	3,80	8,80	3242
	20M 8.000	27M 9.000	27M 9.000	70M 24.000	1,59	2,04	2,04	5,44	3,69	11,10	12,66	0,77	2,99	3,70	3,34	13,01	16,07	3,71	TO	3,80	8,80	3242
	20M 8.000	27M 9.000	35M 12.000	35M 12.000	1,94	2,50	3,33	3,33	3,69	11,10	12,66	0,77	2,99	3,70	3,34	13,01	16,07	3,71	TO	3,80	8,80	3242
	20M 8.000	27M 9.000	35M 12.000	53M 18.000	1,69	2,17	2,90	4,34	3,69	11,10	12,66	0,77	2,99	3,70	3,34	13,01	16,07	3,71	TO	3,80	8,80	3242
	20M 8.000	27M 9.000	53M 18.000	53M 18.000	1,49	1,92	3,84	3,84	3,69	11,10	12,66	0,77	2,99	3,70	3,34	13,01	16,07	3,71	TO	3,80	8,80	3242
	20M 8.000	35M 12.000	35M 12.000	35M 12.000	1,81	3,10	3,10	3,10	3,69	11,10	12,66	0,77	2,99	3,70	3,34	13,01	16,07	3,71	TO	3,80	8,80	3242
	20M 8.000	35M 12.000	35M 12.000	53M 18.000	1,59	2,72	2,72	4,08	3,69	11,10	12,66	0,77	2,99	3,70	3,34	13,01	16,07	3,71	TO	3,80	8,80	3242
	27M 9.000	27M 9.000	27M 9.000	27M 9.000	2,64	2,64	2,64	2,64	3,69	10,55	12,66	0,77	2,84	3,70	3,34	12,36	16,07	3,71	A+	4,00	9,20	3220
	27M 9.000	27M 9.000	27M 9.000	35M 12.000	2,56	2,56	2,56	3,42	3,69	11,10	12,66	0,77	2,99	3,70	3,34	13,01	16,07	3,71	A+	4,00	9,20	3220
	27M 9.000	27M 9.000	27M 9.000	53M 18.000	2,22	2,22	2,22	4,44	3,69	11,10	12,66	0,77	2,99	3,70	3,34	13,01	16,07	3,71	A+	4,00	9,20	3220
	27M 9.000	27M 9.000	35M 12.000	35M 12.000	2,38	2,38	3,17	3,17	3,69	11,10	12,66	0,77	2,99	3,70	3,34	13,01	16,07	3,71	A+	4,00	9,20	3220
	27M 9.000	27M 9.000	35M 12.000	53M 18.000	2,08	2,08	2,78	4,16	3,69	11,10	12,66	0,77	2,99	3,70	3,34	13,01	16,07	3,71	A+	4,00	9,20	3220
	27M 9.000	35M 12.000	35M 12.000	35M 12.000	2,22	2,96	2,96	2,96	3,69	11,10	12,66	0,77	2,99	3,70	3,34	13,01	16,07	3,71	A+	4,00	9,20	3220
	27M 9.000	35M 12.000	35M 12.000	53M 18.000	1,96	2,61	2,61	3,92	3,69	11,10	12,66	0,77	2,99	3,70	3,34	13,01	16,07	3,71	A+	4,00	9,20	3220
	35M 12.000	35M 12.000	35M 12.000	35M 12.000	2,78	2,78	2,78	2,78	3,69	11,10	12,66	0,77	2,99	3,70	3,34	13,01	16,07	3,71	A+	4,00	9,20	3220

Notes Pd = Pdesign CEA = Annual Energy Consumption

MULTISplit

COMBINATION TABLES

Outdoor unit: MU2-Y 125M (PENTA)

OUTDOOR UNIT	INDOOR UNIT					COOLING CAPACITY [KW]					TOTAL COOLING CAPACITY [KW]			POWER INPUT COOLING [KW]			TOTAL COOLING CURRENT [A]			EER	SEASONAL EFFICIENCY (EN14825)			
	TO	B	C	D	E	TO	B	C	D	E	Min.	Std.	Max.	Min.	Std.	Max.	Min.	Std.	Max.		Class	SEER	Pd	CEA [kWh]
MU2-Y 125M (1x1)	20M	—	—	—	—	2,00	—	—	—	—	1,66	2,00	2,90	0,45	1,02	1,28	1,96	4,44	5,56	3,22	—	—	—	—
	8.000	—	—	—	—	2,50	—	—	—	—	1,66	2,50	3,20	0,45	1,28	1,60	1,96	5,56	6,94	3,20	—	—	—	—
	27M	—	—	—	—	3,50	—	—	—	—	1,66	3,50	3,90	0,45	1,79	2,15	1,96	7,78	9,33	3,18	—	—	—	—
	9.000	—	—	—	—	5,00	—	—	—	—	1,85	5,00	6,50	0,58	1,98	2,28	2,52	8,62	9,91	3,12	—	—	—	—
	35M	—	—	—	—	7,00	—	—	—	—	2,09	7,00	8,20	0,70	2,30	2,42	3,04	10,00	10,50	3,07	—	—	—	—
	12.000	—	—	—	—	2,10	2,10	—	—	—	2,34	4,20	7,38	0,65	1,49	2,21	2,81	6,49	9,60	3,16	TO	5,10	4,20	288
	53M	—	—	—	—	2,06	2,64	—	—	—	2,34	4,70	7,63	0,65	1,67	2,36	2,81	7,26	10,27	3,14	TO	5,10	4,70	323
18.000	—	—	—	—	2,03	3,47	—	—	—	2,34	5,50	8,00	0,65	1,95	2,55	2,81	8,50	11,09	3,12	TO	5,10	5,50	377	
70M	—	—	—	—	1,96	5,04	—	—	—	2,34	7,00	9,84	0,65	2,49	2,70	2,81	10,81	11,76	3,06	TO	5,10	7,00	480	
24.000	—	—	—	—	2,05	7,05	—	—	—	2,34	9,10	11,69	0,65	3,23	3,05	2,81	14,06	13,25	3,01	TO	5,10	9,10	625	
MU2-Y 125M (1x2)	20M	20M	—	—	—	2,65	2,65	—	—	—	2,34	5,30	8,00	0,65	1,88	2,55	2,81	8,19	11,09	3,12	TO	5,10	5,30	364
	8.000	8.000	—	—	—	2,57	3,43	—	—	—	2,34	6,00	8,61	0,65	2,13	2,59	2,81	9,27	11,26	3,10	TO	5,10	6,00	412
	20M	27M	—	—	—	2,50	5,00	—	—	—	2,34	7,50	11,07	0,65	2,66	2,86	2,81	11,59	12,42	3,04	TO	5,10	7,50	515
	8.000	9.000	—	—	—	2,65	7,05	—	—	—	2,34	9,70	12,30	0,65	3,45	3,24	2,81	14,98	14,07	2,99	TO	5,10	9,70	666
	20M	35M	—	—	—	3,50	3,50	—	—	—	2,34	7,00	9,23	0,65	2,49	2,70	2,81	10,81	11,76	3,07	TO	5,10	7,00	480
	8.000	12.000	—	—	—	3,40	5,10	—	—	—	2,34	8,50	11,69	0,65	3,02	3,12	2,81	13,13	13,58	3,02	TO	5,10	8,50	583
	20M	53M	—	—	—	3,33	6,67	—	—	—	2,34	10,00	12,30	0,65	3,55	3,43	2,81	15,45	14,90	2,97	TO	5,10	10,00	686
	8.000	18.000	—	—	—	5,25	5,25	—	—	—	2,34	10,50	12,30	0,65	3,73	3,43	2,81	16,22	14,90	2,96	TO	5,10	10,50	721
	20M	70M	—	—	—	4,93	6,57	—	—	—	2,34	11,50	12,50	0,65	3,88	3,42	2,81	16,88	14,86	2,96	TO	5,10	11,50	789
	8.000	24.000	—	—	—	—	—	—	—	—	—	—	—	—	—	—	—	—	—	—	—	—	—	—

Notes Pd = Pdesign CEA = Annual Energy Consumption

COMBINATION TABLES

Outdoor unit: MU2-Y 125M (PENTA)

OUTDOOR UNIT	INDOOR UNIT					COOLING CAPACITY [KW]					TOTAL COOLING CAPACITY [KW]			POWER INPUT COOLING [KW]			TOTAL COOLING CURRENT [A]			EER	SEASONAL EFFICIENCY (EN14825)			
	TO	B	C	D	E	TO	B	C	D	E	Min.	Std.	Max.	Min.	Std.	Max.	Min.	Std.	Max.		Class	SEER	Pd	CEA [kWh]
MU2-Y 125M (1x3)	20M	20M	20M	—	—	2,00	2,00	2,00	—	—	2,89	6,00	7,38	0,80	1,73	3,05	3,48	7,50	13,25	3,10	TO	5,30	6,00	396
	8.000	8.000	8.000	—	—	1,98	1,98	2,54	—	—	2,89	6,50	8,61	0,80	1,87	3,24	3,48	8,13	14,07	3,08	TO	5,30	6,50	429
	20M	20M	27M	—	—	2,02	2,02	3,46	—	—	2,89	7,50	9,23	0,80	2,16	3,43	3,48	9,38	14,90	3,06	TO	5,30	7,50	495
	8.000	8.000	9.000	—	—	1,97	1,97	5,06	—	—	2,89	9,00	11,07	0,80	2,59	3,62	3,48	11,25	15,73	3,00	TO	5,30	9,00	594
	20M	20M	70M	—	—	2,03	2,03	6,95	—	—	2,89	11,00	12,92	0,80	3,16	3,81	3,48	13,76	16,56	2,95	TO	5,30	11,00	726
	8.000	8.000	24.000	—	—	1,96	2,52	2,52	—	—	2,89	7,00	9,23	0,80	2,01	3,35	3,48	8,75	14,57	3,06	TO	5,30	7,00	462
	20M	27M	35M	—	—	2,00	2,57	3,43	—	—	2,89	8,00	10,46	0,80	2,30	3,50	3,48	10,00	15,23	3,04	TO	5,30	8,00	528
	8.000	9.000	12.000	—	—	1,96	2,51	5,03	—	—	2,89	9,50	11,07	0,80	2,73	3,73	3,48	11,88	16,23	2,98	TO	5,30	9,50	627
	20M	27M	70M	—	—	2,01	2,59	6,90	—	—	2,89	11,50	12,92	0,80	3,31	3,96	3,48	14,38	17,22	2,93	TO	5,30	11,50	759
	8.000	9.000	24.000	—	—	2,03	3,48	3,48	—	—	2,89	9,00	11,07	0,80	2,59	3,62	3,48	11,25	15,73	3,01	TO	5,30	9,00	594
	20M	35M	35M	—	—	1,99	3,41	5,11	—	—	2,89	10,50	12,30	0,80	3,02	3,81	3,48	13,13	16,56	2,96	TO	5,30	10,50	693
	8.000	12.000	18.000	—	—	1,87	3,21	6,42	—	—	2,89	11,50	12,92	0,80	3,31	3,96	3,48	14,38	17,22	2,91	TO	5,30	11,50	759
	20M	35M	70M	—	—	1,87	4,81	4,81	—	—	2,89	11,50	12,92	0,80	3,31	3,96	3,48	14,38	17,22	2,90	TO	5,30	11,50	759
	8.000	18.000	18.000	—	—	2,67	2,67	2,67	—	—	2,89	8,00	10,46	0,80	2,30	3,81	3,48	10,00	16,56	3,05	TO	5,30	8,00	528
	27M	27M	27M	—	—	2,70	2,70	3,60	—	—	2,89	9,00	12,92	0,80	2,59	3,62	3,48	11,25	15,73	3,02	TO	5,30	9,00	594
	9.000	9.000	9.000	—	—	2,63	2,63	5,25	—	—	2,89	10,50	12,30	0,80	3,02	3,81	3,48	13,13	16,56	2,97	TO	5,30	10,50	693
	27M	27M	53M	—	—	2,46	2,46	6,57	—	—	2,89	11,50	12,92	0,80	3,31	3,96	3,48	14,38	17,22	2,91	TO	5,30	11,50	759
	9.000	9.000	18.000	—	—	2,45	3,27	3,27	—	—	2,89	9,00	11,07	0,80	2,59	3,62	3,48	11,25	15,73	2,99	TO	5,30	9,00	594
	27M	35M	35M	—	—	2,54	3,38	5,08	—	—	2,89	11,00	11,69	0,80	3,16	3,81	3,48	13,76	16,56	2,94	TO	5,30	11,00	726
	9.000	12.000	18.000	—	—	2,30	3,07	6,13	—	—	2,89	11,50	12,92	0,80	3,31	3,96	3,48	14,38	17,22	2,89	TO	5,30	11,50	759
	27M	35M	70M	—	—	2,40	4,80	4,80	—	—	2,89	12,00	12,92	0,80	3,45	3,96	3,48	15,01	17,22	2,89	TO	5,30	12,00	792
	9.000	18.000	18.000	—	—	3,17	3,17	3,17	—	—	2,89	9,50	11,07	0,80	2,73	3,73	3,48	11,88	16,23	2,97	TO	5,30	9,50	627
	35M	35M	35M	—	—	3,29	3,29	4,93	—	—	2,89	11,50	12,92	0,80	3,31	3,96	3,48	14,38	17,22	2,91	TO	5,30	11,50	759
	12.000	12.000	18.000	—	—	3,00	3,00	6,00	—	—	2,89	12,00	12,92	0,80	3,45	3,96	3,48	15,01	17,22	2,89	TO	5,30	12,00	792
	35M	35M	70M	—	—	3,00	4,50	4,50	—	—	2,89	12,00	12,92	0,80	3,45	3,96	3,48	15,01	17,22	2,89	TO	5,30	12,00	792
	12.000	18.000	18.000	—	—	2,67	4,00	5,33	—	—	2,89	12,00	12,92	0,80	4,15	3,95	3,47	18,05	17,17	2,89	TO	5,30	12,00	792
	35M	53M	70M	—	—	4,00	4,00	4,00	—	—	2,89	12,00	12,92	0,80	4,15	3,95	3,47	18,05	17,17	2,89	TO	5,30	12,00	792
	12.000	18.000	24.000	—	—	4,00	4,00	4,00	—	—	2,89	12,00	12,92	0,80	4,15	3,95	3,47	18,05	17,17	2,89	TO	5,30	12,00	792
	53M	53M	53M	—	—	4,00	4,00	4,00	—	—	2,89	12,00	12,92	0,80	4,15	3,95	3,47	18,05	17,17	2,89	TO	5,30	12,00	792
	18.000	18.000	18.000	—	—	4,00	4,00	4,00	—	—	2,89	12,00	12,92	0,80	4,15	3,95	3,47	18,05	17,17	2,89	TO	5,30	12,00	792

Notes Pd = Pdesign CEA = Annual Energy Consumption

MULTISplit

COOLING

COMBINATION TABLES

Outdoor unit: MU2-Y 125M (PENTA)

MULTISplit

OUTDOOR UNIT	INDOOR UNIT					COOLING CAPACITY [kW]					TOTAL COOLING CAPACITY [kW]			POWER INPUT COOLING [kW]			TOTAL COOLING CURRENT [A]			EER	SEASONAL EFFICIENCY (EN14825)			
	TO	B	C	D	E	TO	B	C	D	E	Min.	Std.	Max.	Min.	Std.	Max.	Min.	Std.	Max.		Class	SEER	Pd	CEA [kWh]
MU2-Y 125M (1x4)	20M	20M	20M	20M	—	2,00	2,00	2,00	2,00	—	3,69	8,00	10,50	0,91	2,63	3,42	3,96	11,44	14,86	3,04	A+	5,60	8,00	500
	8.000	8.000	8.000	8.000	—	1,98	1,98	1,98	2,55	—	3,69	8,50	11,07	0,91	2,81	3,61	3,96	12,23	15,68	3,02	A+	5,60	8,50	531
	20M	20M	20M	27M	—	2,02	2,02	2,02	3,45	—	3,69	9,50	11,69	0,91	3,17	3,72	3,96	13,79	16,18	3,00	A+	5,60	9,50	594
	8.000	8.000	8.000	12.000	—	2,06	2,06	2,06	5,31	—	3,69	11,50	12,30	0,91	3,91	4,18	3,96	17,00	18,16	2,94	A+	5,60	11,50	719
	20M	20M	20M	35M	—	1,87	1,87	1,87	6,40	—	3,69	12,00	13,53	0,91	4,15	4,37	3,96	18,05	18,98	2,89	A+	5,60	12,00	750
	8.000	8.000	8.000	18.000	—	2,08	2,08	2,67	2,67	—	3,69	9,50	11,69	0,91	3,16	3,72	3,96	13,75	16,18	3,00	A+	5,60	9,50	594
	20M	20M	27M	35M	—	2,00	2,00	2,57	3,43	—	3,69	10,00	12,30	0,91	3,36	4,18	3,96	14,60	18,16	2,98	A+	5,60	10,00	625
	8.000	8.000	9.000	12.000	—	1,96	1,96	2,52	5,05	—	3,69	11,50	12,30	0,91	3,93	4,18	3,96	17,11	18,16	2,92	A+	5,60	11,50	719
	20M	20M	27M	70M	—	1,79	1,79	2,30	6,13	—	3,69	12,00	13,53	0,91	4,15	4,37	3,96	18,05	18,98	2,89	A+	5,60	12,00	750
	8.000	8.000	9.000	24.000	—	1,93	1,93	3,32	3,32	—	3,69	10,50	12,92	0,91	3,56	4,18	3,96	15,48	18,16	2,95	A+	5,60	10,50	656
	20M	20M	35M	53M	—	1,83	1,83	3,14	4,70	—	3,69	11,50	13,53	0,91	3,97	4,18	3,96	17,27	18,16	2,90	A+	5,60	11,50	719
	8.000	8.000	12.000	18.000	—	1,74	1,74	2,98	5,95	—	3,69	12,40	13,53	0,91	4,29	4,37	3,96	18,66	18,98	2,89	A+	5,60	12,40	775
	20M	20M	53M	53M	—	1,74	1,74	4,46	4,46	—	3,69	12,40	13,53	0,91	4,29	4,37	3,96	18,66	18,98	2,89	A+	5,60	12,40	775
	8.000	8.000	18.000	18.000	—	1,55	1,55	3,99	5,31	—	3,69	12,40	13,53	0,91	4,29	4,37	3,96	18,66	18,98	2,89	A+	5,60	12,40	775
	20M	20M	53M	70M	—	2,06	2,65	2,65	2,65	—	3,69	10,00	12,30	0,91	3,35	4,18	3,96	14,56	18,16	2,99	A+	5,60	10,00	625
	8.000	9.000	9.000	9.000	—	1,99	2,55	2,55	3,41	—	3,69	10,50	12,92	0,91	3,55	4,18	3,96	15,43	18,16	2,96	A+	5,60	10,50	656
	20M	27M	27M	53M	—	1,87	2,41	2,41	4,81	—	3,69	11,50	13,53	0,91	3,96	4,18	3,96	17,21	18,16	2,91	A+	5,60	11,50	719
	8.000	9.000	9.000	18.000	—	1,77	2,28	2,28	6,07	—	3,69	12,40	13,53	0,91	4,29	4,37	3,96	18,66	18,98	2,89	A+	5,60	12,40	775
	20M	27M	27M	70M	—	2,01	2,59	3,45	3,45	—	3,69	11,50	13,53	0,91	3,92	4,18	3,96	17,05	18,16	2,93	A+	5,60	11,50	719
	8.000	9.000	12.000	12.000	—	1,83	2,35	3,13	4,70	—	3,69	12,00	13,53	0,91	4,15	4,37	3,96	18,05	18,98	2,89	A+	5,60	12,00	750
	20M	27M	35M	70M	—	1,67	2,15	2,86	5,72	—	3,69	12,40	13,53	0,91	4,29	4,37	3,96	18,66	18,98	2,89	A+	5,60	12,40	775
	8.000	9.000	12.000	24.000	—	1,67	2,15	4,29	4,29	—	3,69	12,40	13,53	0,91	4,29	4,37	3,96	18,66	18,98	2,89	A+	5,60	12,40	775
	20M	27M	53M	53M	—	1,50	1,92	3,85	5,13	—	3,69	12,40	13,53	0,91	4,27	4,37	3,96	18,56	18,98	2,91	A+	5,60	12,40	775
	8.000	9.000	18.000	24.000	—	1,87	3,21	3,21	3,21	—	3,69	11,50	13,53	0,91	3,96	4,18	3,96	17,21	18,16	2,91	A+	5,60	11,50	719
	20M	35M	35M	53M	—	1,71	2,94	2,94	4,41	—	3,69	12,00	13,53	0,91	4,15	4,37	3,96	18,05	18,98	2,89	A+	5,60	12,00	750
	8.000	12.000	12.000	18.000	—	1,58	2,71	2,71	5,41	—	3,69	12,40	13,53	0,91	4,29	4,37	3,96	18,66	18,98	2,89	A+	5,60	12,40	775
	20M	35M	53M	53M	—	1,58	2,71	4,06	4,06	—	3,69	12,40	13,53	0,91	4,29	4,37	3,96	18,66	18,98	2,89	A+	5,60	12,40	775
	8.000	12.000	18.000	18.000	—	2,63	2,63	2,63	2,63	—	3,69	10,50	12,92	0,91	3,54	4,18	3,96	15,38	18,16	2,97	A+	5,60	10,50	656
	27M	27M	27M	27M	—	2,65	2,65	2,65	3,54	—	3,69	11,50	13,53	0,91	3,91	4,18	3,96	17,00	18,16	2,94	A+	5,60	11,50	719
	9.000	9.000	9.000	9.000	—	2,40	2,40	2,40	4,80	—	3,69	12,00	13,53	0,91	4,15	4,37	3,96	18,05	18,98	2,89	A+	5,60	12,00	750
	27M	27M	27M	70M	—	2,19	2,19	2,19	5,84	—	3,69	12,40	13,53	0,91	4,29	4,37	3,96	18,66	18,98	2,89	A+	5,60	12,40	775
	9.000	9.000	9.000	24.000	—	2,46	2,46	3,29	3,29	—	3,69	11,50	13,53	0,91	3,95	4,18	3,96	17,16	18,16	2,91	A+	5,60	11,50	719
	27M	27M	35M	53M	—	2,25	2,25	3,00	4,50	—	3,69	12,00	13,53	0,91	4,15	4,37	3,96	18,05	18,98	2,89	A+	5,60	12,00	750
	9.000	9.000	12.000	18.000	—	2,07	2,07	2,76	5,51	—	3,69	12,40	13,53	0,91	4,29	4,37	3,96	18,66	18,98	2,89	A+	5,60	12,40	775
	27M	27M	53M	53M	—	2,07	2,07	4,13	4,13	—	3,69	12,40	13,53	0,91	4,29	4,37	3,96	18,66	18,98	2,89	A+	5,60	12,40	775
	9.000	9.000	18.000	18.000	—	2,30	3,07	3,07	3,07	—	3,69	11,50	13,53	0,91	3,98	4,18	3,96	17,30	18,16	2,89	A+	5,60	11,50	719
	27M	35M	35M	53M	—	2,19	2,92	2,92	4,38	—	3,69	12,40	13,53	0,91	4,29	4,37	3,96	18,66	18,98	2,89	A+	5,60	12,40	775
	9.000	12.000	12.000	18.000	—	1,96	2,61	2,61	5,22	—	3,69	12,40	13,53	0,91	4,29	4,37	3,96	18,66	18,98	2,89	A+	5,60	12,40	775
	27M	35M	53M	70M	—	1,96	2,61	3,92	3,92	—	3,69	12,40	13,53	0,91	4,29	4,37	3,96	18,66	18,98	2,89	A+	5,60	12,40	775
	9.000	12.000	18.000	18.000	—	2,88	2,88	2,88	2,88	—	3,69	11,50	13,53	0,91	3,98	4,18	3,96	17,30	18,16	2,89	A+	5,60	11,50	719
	35M	35M	35M	53M	—	2,76	2,76	2,76	4,13	—	3,69	12,40	13,53	0,91	4,29	4,37	3,96	18,66	18,98	2,89	A+	5,60	12,40	775
	12.000	12.000	12.000	18.000	—																			

COOLING

COMBINATION TABLES

Outdoor unit: MU2-Y 125M (PENTA)

MULTISplit

OUTDOOR UNIT	INDOOR UNIT					HEATING CAPACITY [KW]					TOTAL HEATING CAPACITY [KW]			ABSORBED HEATING CAPACITY [KW]			TOTAL COOLING CURRENT [A]			COP	SEASONAL EFFICIENCY (EN14825)			
	TO	B	C	D	E	TO	B	C	D	E	Min.	Std.	Max.	Min.	Std.	Max.	Min.	Std.	Max.		Class	SCOP	Pd	CEA [kWh]
MU2-Y 125M (1x1)	20M					2,50					1,66	2,50	2,90	0,45	0,67	0,83	1,96	2,90	3,62	3,71				
	8.000	—	—	—	—																			
	27M					3,00					1,66	3,00	3,20	0,45	0,80	1,00	1,96	3,48	4,35	3,71				
	9.000	—	—	—	—																			
	35M					3,80					1,66	3,80	3,90	0,45	1,01	1,22	1,96	4,41	5,29	3,71				
	12.000	—	—	—	—																			
	53M					5,20					1,85	5,20	7,00	0,58	1,38	1,59	2,52	6,01	6,91	3,71				
	18.000	—	—	—	—																			
70M					7,20					2,09	7,20	8,50	0,70	1,90	2,00	3,04	8,28	8,70	3,71					
24.000	—	—	—	—																				
MU2-Y 125M (1x2)	20M	20M				2,50	2,50				2,34	5,00	7,38	0,56	1,32	1,92	2,45	5,72	8,36	3,71	B	3,00	5,10	2380
	8.000	8.000	—	—	—																			
	20M	27M				2,45	3,15				2,34	5,60	7,63	0,56	1,47	2,06	2,45	6,41	8,94	3,71	B	3,00	5,70	2660
	8.000	9.000	—	—	—																			
	20M	35M				2,21	3,79				2,34	6,00	8,00	0,56	1,58	2,22	2,45	6,86	9,66	3,71	B	3,00	6,20	2893
	8.000	12.000	—	—	—																			
	20M	53M				2,24	5,76				2,34	8,00	9,84	0,56	2,11	2,35	2,45	9,15	10,23	3,71	B	3,00	8,10	3780
	8.000	18.000	—	—	—																			
	20M	70M				2,21	7,59				2,34	9,80	11,69	0,56	2,58	2,65	2,45	11,21	11,53	3,71	B	3,00	8,50	3967
	8.000	24.000	—	—	—																			
	27M	27M				3,00	3,00				2,34	6,00	8,00	0,56	1,58	2,22	2,45	6,86	9,66	3,71	B	3,00	6,20	2893
	9.000	9.000	—	—	—																			
	27M	35M				2,91	3,89				2,34	6,80	8,61	0,56	1,79	2,25	2,45	7,78	9,80	3,71	B	3,00	6,80	3173
	9.000	12.000	—	—	—																			
	27M	53M				2,93	5,87				2,34	8,80	11,07	0,56	2,32	2,49	2,45	10,07	10,81	3,71	B	3,00	8,50	3967
	9.000	18.000	—	—	—																			
	27M	70M				2,78	7,42				2,34	10,20	12,30	0,56	2,68	2,82	2,45	11,67	12,25	3,71	B	3,00	8,50	3967
	9.000	24.000	—	—	—																			
	35M	35M				3,75	3,75				2,34	7,50	9,23	0,56	1,97	2,35	2,45	8,58	10,23	3,71	B	3,00	7,30	3407
	12.000	12.000	—	—	—																			
35M	53M				3,76	5,64				2,34	9,40	11,69	0,56	2,47	2,72	2,45	10,76	11,82	3,71	B	3,00	8,50	3967	
12.000	18.000	—	—	—																				
35M	70M				3,50	7,00				2,34	10,50	12,30	0,56	2,76	2,98	2,45	12,01	12,97	3,71	B	3,00	8,50	3967	
12.000	24.000	—	—	—																				
53M	53M				5,50	5,50				2,34	11,00	12,30	0,56	2,89	2,98	2,45	12,59	12,97	3,71	B	3,00	8,50	3967	
18.000	18.000	—	—	—																				
53M	70M				4,93	6,57				2,34	11,50	12,50	0,56	3,01	2,98	2,45	13,09	12,97	3,71	B	3,00	8,50	3967	
18.000	24.000	—	—	—																				

HEATING

Notes Pd = Pdesign CEA = Annual Energy Consumption

COMBINATION TABLES

Outdoor unit: MU2-Y 125M (PENTA)

OUTDOOR UNIT	INDOOR UNIT				HEATING CAPACITY [KW]					TOTAL HEATING CAPACITY [KW]			ABSORBED HEATING CAPACITY [KW]			TOTAL COOLING CURRENT [A]			COP	SEASONAL EFFICIENCY (EN14825)				
	TO	B	C	D	E	TO	B	C	D	E	Min.	Std.	Max.	Min.	Std.	Max.	Min.	Std.		Max.	Class	SCOP	Pd	CEA [kWh]
MU2Y 125M (1x3)	20M	20M	20M	—	—	2,50	2,50	2,50	—	—	2,89	7,50	8,61	0,70	1,95	2,65	3,03	8,47	11,53	3,71	B	3,20	7,30	3194
	8.000	8.000	8.000	—	—	2,37	2,37	3,05	—	—	2,89	7,80	9,23	0,70	2,03	2,82	3,03	8,81	12,25	3,71	B	3,20	7,40	3238
	20M	20M	27M	—	—	2,29	2,29	3,92	—	—	2,89	8,50	9,84	0,70	2,21	2,98	3,03	9,60	12,97	3,71	B	3,20	7,50	3281
	8.000	8.000	9.000	—	—	2,52	2,52	6,47	—	—	2,89	11,50	12,30	0,70	2,99	3,15	3,03	12,99	13,69	3,71	B	3,20	8,50	3719
	20M	20M	53M	—	—	2,21	2,21	7,58	—	—	2,89	12,00	12,92	0,70	3,12	3,32	3,03	13,55	14,41	3,71	B	3,20	8,50	3719
	8.000	8.000	18.000	—	—	2,38	3,06	3,06	—	—	2,89	8,50	9,84	0,70	2,21	2,92	3,03	9,60	12,68	3,71	B	3,20	7,50	3281
	20M	27M	27M	—	—	2,50	3,21	4,29	—	—	2,89	10,00	12,30	0,70	2,60	3,05	3,03	11,29	13,26	3,71	B	3,20	8,00	3500
	8.000	9.000	9.000	—	—	2,37	3,04	6,09	—	—	2,89	11,50	12,30	0,70	2,99	3,25	3,03	12,99	14,13	3,71	B	3,20	8,50	3719
	20M	27M	70M	—	—	2,10	2,70	7,20	—	—	2,89	12,00	12,92	0,70	3,12	3,45	3,03	13,55	14,99	3,71	B	3,20	8,50	3719
	8.000	9.000	24.000	—	—	2,48	4,26	4,26	—	—	2,89	11,00	12,30	0,70	2,86	3,15	3,03	12,42	13,69	3,71	B	3,20	8,50	3719
	20M	35M	35M	—	—	2,18	3,73	5,59	—	—	2,89	11,50	12,30	0,70	2,99	3,32	3,03	12,99	14,41	3,71	B	3,20	8,50	3719
	8.000	12.000	18.000	—	—	1,95	3,35	6,70	—	—	2,89	12,00	12,92	0,70	3,12	3,45	3,03	13,55	14,99	3,71	B	3,20	8,50	3719
	20M	35M	70M	—	—	1,95	5,02	5,02	—	—	2,89	12,00	12,92	0,70	3,12	3,45	3,03	13,55	14,99	3,71	B	3,20	8,50	3719
	8.000	18.000	18.000	—	—	3,33	3,33	3,33	—	—	2,89	10,00	12,30	0,70	2,60	3,32	3,03	11,29	14,41	3,71	B	3,20	8,50	3719
	9.000	9.000	9.000	—	—	3,30	3,30	4,40	—	—	2,89	11,00	12,30	0,70	2,86	3,15	3,03	12,42	13,69	3,71	B	3,20	8,50	3719
	27M	27M	35M	—	—	2,88	2,88	5,75	—	—	2,89	11,50	12,30	0,70	2,99	3,32	3,03	12,99	14,41	3,71	B	3,20	8,50	3719
	9.000	9.000	18.000	—	—	2,57	2,57	6,86	—	—	2,89	12,00	12,92	0,70	3,12	3,45	3,03	13,55	14,99	3,71	B	3,20	8,50	3719
	27M	35M	35M	—	—	3,14	4,18	4,18	—	—	2,89	11,50	12,30	0,70	2,99	3,15	3,03	12,99	13,69	3,71	B	3,20	8,50	3719
	9.000	12.000	12.000	—	—	2,77	3,69	5,54	—	—	2,89	12,00	12,92	0,70	3,12	3,32	3,03	13,55	14,41	3,71	B	3,20	8,50	3719
	9.000	12.000	18.000	—	—	2,40	3,20	6,40	—	—	2,89	12,00	12,92	0,70	3,12	3,45	3,03	13,55	14,99	3,71	B	3,20	8,50	3719
	27M	53M	53M	—	—	2,40	4,80	4,80	—	—	2,89	12,00	12,92	0,70	3,12	3,45	3,03	13,55	14,99	3,71	B	3,20	8,50	3719
	9.000	18.000	18.000	—	—	3,83	3,83	3,83	—	—	2,89	11,50	12,30	0,70	2,99	3,25	3,03	12,99	14,13	3,71	B	3,20	8,50	3719
	12.000	12.000	12.000	—	—	3,43	3,43	5,14	—	—	2,89	12,00	12,92	0,70	3,12	3,45	3,03	13,55	14,99	3,71	B	3,20	8,50	3719
	12.000	12.000	18.000	—	—	3,00	3,00	6,00	—	—	2,89	12,00	12,92	0,70	3,12	3,45	3,03	13,55	14,99	3,71	B	3,20	8,50	3719
	35M	35M	70M	—	—	3,00	4,50	4,50	—	—	2,89	12,00	12,92	0,70	3,12	3,45	3,03	13,55	14,99	3,71	B	3,20	8,50	3719
	12.000	18.000	18.000	—	—	2,67	4,00	5,33	—	—	2,89	12,00	12,92	0,70	3,12	3,45	3,03	13,55	14,99	3,71	B	3,20	8,50	3719
	35M	53M	70M	—	—	4,00	4,00	4,00	—	—	2,89	12,00	12,92	0,70	3,09	3,45	3,03	13,45	14,99	3,71	B	3,20	8,50	3719
	12.000	18.000	18.000	—	—				—	—														

Notes Pd = Pdesign CEA = Annual Energy Consumption

COMBINATION TABLES

Outdoor unit: MU2-Y 125M (PENTA)

MULTISplit

OUTDOOR UNIT	INDOOR UNIT					HEATING CAPACITY [KW]					TOTAL HEATING CAPACITY [KW]			ABSORBED HEATING CAPACITY [KW]			TOTAL COOLING CURRENT [A]			COP	SEASONAL EFFICIENCY (EN14825)			
	TO	B	C	D	E	TO	B	C	D	E	Min.	Std.	Max.	Min.	Std.	Max.	Min.	Std.	Max.		Class	SCOP	Pd	CEA [kWh]
MU2-Y 125M (1x4)	20M	20M	20M	20M	—	2,50	2,50	2,50	2,50	—	3,69	10,00	12,67	0,80	2,56	2,98	3,46	11,12	12,97	3,71	TO	3,40	8,80	3624
	8.000	8.000	8.000	8.000	—	2,57	2,57	2,57	3,30	—	3,69	11,00	12,92	0,80	2,81	3,15	3,46	12,23	13,69	3,71	TO	3,40	8,80	3624
	20M	20M	20M	27M	—	2,50	2,50	2,50	4,29	—	3,69	11,80	13,53	0,80	3,02	3,25	3,46	13,12	14,13	3,71	TO	3,40	8,80	3624
	8.000	8.000	8.000	9.000	—	2,15	2,15	2,15	5,54	—	3,69	12,00	13,53	0,80	3,07	3,65	3,46	13,34	15,86	3,71	TO	3,40	8,80	3624
	20M	20M	20M	35M	—	1,91	1,91	1,91	6,56	—	3,69	12,30	13,53	0,80	3,15	3,81	3,46	13,68	16,58	3,71	TO	3,40	8,80	3624
	8.000	8.000	8.000	12.000	—	2,63	2,63	3,38	3,38	—	3,69	12,00	13,53	0,80	3,07	3,25	3,46	13,34	14,13	3,71	TO	3,40	8,80	3624
	20M	20M	20M	53M	—	2,40	2,40	3,09	4,11	—	3,69	12,00	13,53	0,80	3,07	3,65	3,46	13,34	15,86	3,71	TO	3,40	8,80	3624
	8.000	8.000	8.000	18.000	—	2,35	2,35	2,63	5,27	—	3,69	12,00	13,53	0,80	3,07	3,65	3,46	13,34	15,86	3,71	TO	3,40	8,80	3624
	20M	20M	27M	70M	—	1,83	1,83	2,36	6,28	—	3,69	12,30	13,53	0,80	3,15	3,81	3,46	13,68	16,58	3,71	TO	3,40	8,80	3624
	8.000	8.000	9.000	24.000	—	2,21	2,21	3,79	3,79	—	3,69	12,00	13,53	0,80	3,07	3,65	3,46	13,34	15,86	3,71	TO	3,40	8,80	3624
	20M	20M	35M	35M	—	1,91	1,91	3,27	4,91	—	3,69	12,00	13,53	0,80	3,07	3,65	3,46	13,34	15,86	3,71	TO	3,40	8,80	3624
	8.000	8.000	12.000	12.000	—	1,72	1,72	2,95	5,90	—	3,69	12,30	13,53	0,80	3,15	3,81	3,46	13,68	16,58	3,71	TO	3,40	8,80	3624
	20M	20M	35M	70M	—	1,68	1,68	4,32	4,32	—	3,69	12,00	13,53	0,80	3,07	3,81	3,46	13,34	16,58	3,71	TO	3,40	8,80	3624
	8.000	8.000	18.000	18.000	—	1,54	1,54	3,95	5,27	—	3,69	12,30	13,53	0,80	3,15	3,81	3,46	13,68	16,58	3,71	TO	3,40	8,80	3624
	20M	20M	53M	70M	—	2,47	3,18	3,18	3,18	—	3,69	12,00	13,53	0,80	3,07	3,65	3,46	13,34	15,86	3,71	TO	3,40	8,80	3624
	8.000	9.000	9.000	9.000	—	2,27	2,92	2,92	3,89	—	3,69	12,00	13,53	0,80	3,07	3,65	3,46	13,34	15,86	3,71	TO	3,40	8,80	3624
	20M	27M	27M	35M	—	1,95	2,51	2,51	5,02	—	3,69	12,00	13,53	0,80	3,07	3,65	3,46	13,34	15,86	3,71	TO	3,40	8,80	3624
	8.000	9.000	9.000	18.000	—	1,76	2,26	2,26	6,02	—	3,69	12,30	13,53	0,80	3,15	3,81	3,46	13,68	16,58	3,71	TO	3,40	8,80	3624
	20M	27M	27M	70M	—	2,10	2,70	3,60	3,60	—	3,69	12,00	13,53	0,80	3,07	3,65	3,46	13,34	15,86	3,71	TO	3,40	8,80	3624
	8.000	9.000	12.000	12.000	—	1,83	2,35	3,13	4,70	—	3,69	12,00	13,53	0,80	3,07	3,81	3,46	13,34	16,58	3,71	TO	3,40	8,80	3624
	20M	27M	35M	53M	—	1,66	2,13	2,84	5,68	—	3,69	12,30	13,53	0,80	3,15	3,81	3,46	13,68	16,58	3,71	TO	3,40	8,80	3624
	8.000	9.000	12.000	24.000	—	1,62	2,38	4,15	4,15	—	3,69	12,00	13,53	0,80	3,07	3,81	3,46	13,34	16,58	3,71	TO	3,40	8,80	3624
	20M	27M	53M	70M	—	1,48	1,91	3,82	5,09	—	3,69	12,30	13,53	0,80	3,15	3,81	3,46	13,68	16,58	3,71	TO	3,40	8,80	3624
	8.000	9.000	18.000	24.000	—	1,95	3,35	3,35	3,35	—	3,69	12,00	13,53	0,80	3,07	3,65	3,46	13,34	15,86	3,71	TO	3,40	8,80	3624
	20M	35M	35M	35M	—	1,71	2,94	2,94	4,41	—	3,69	12,00	13,53	0,80	3,07	3,81	3,46	13,34	16,58	3,71	TO	3,40	8,80	3624
	8.000	12.000	12.000	18.000	—	1,57	2,68	2,68	5,37	—	3,69	12,30	13,53	0,80	3,15	3,81	3,46	13,68	16,58	3,71	TO	3,40	8,80	3624
	20M	35M	53M	53M	—	1,53	2,62	3,93	3,93	—	3,69	12,00	13,53	0,80	3,07	3,81	3,46	13,34	16,58	3,71	TO	3,40	8,80	3624
	8.000	12.000	18.000	18.000	—	3,00	3,00	3,00	3,00	—	3,69	12,00	13,53	0,80	3,07	3,65	3,46	13,34	15,86	3,71	TO	3,40	8,80	3624
	27M	27M	27M	35M	—	2,77	2,77	2,77	3,69	—	3,69	12,00	13,53	0,80	3,07	3,65	3,46	13,34	15,86	3,71	TO	3,40	8,80	3624
	9.000	9.000	9.000	12.000	—	2,40	2,40	2,40	4,80	—	3,69	12,00	13,53	0,80	3,07	3,81	3,46	13,34	16,58	3,71	TO	3,40	8,80	3624
	27M	27M	27M	70M	—	2,17	2,17	2,17	5,79	—	3,69	12,30	13,53	0,80	3,15	3,81	3,46	13,68	16,58	3,71	TO	3,40	8,80	3624
	9.000	9.000	9.000	24.000	—	2,57	2,57	3,43	3,43	—	3,69	12,00	13,53	0,80	3,07	3,65	3,46	13,34	15,86	3,71	TO	3,40	8,80	3624
	27M	27M	35M	35M	—	2,25	2,25	3,00	4,50	—	3,69	12,00	13,53	0,80	3,07	3,81	3,46	13,34	16,58	3,71	TO	3,40	8,80	3624
	9.000	9.000	12.000	18.000	—	2,35	2,35	2,73	5,47	—	3,69	12,30	13,53	0,80	3,15	3,81	3,46	13,68	16,58	3,71	TO	3,40	8,80	3624
	27M	27M	53M	53M	—	2,00	2,00	4,00	4,00	—	3,69	12,00	13,53	0,80	3,07	3,81	3,46	13,34	16,58	3,71	TO	3,40	8,80	3624
	9.000	9.000	18.000	18.000	—	2,40	3,20	3,20	3,20	—	3,69	12,00	13,53	0,80	3,07	3,65	3,46	13,34	15,86	3,71	TO	3,40	8,80	3624
	27M	35M	35M	35M	—	2,12	2,82	2,82	4,24	—	3,69	12,00	13,53	0,80	3,07	3,81	3,46	13,34	16,58	3,71	TO	3,40	8,80	3624
	9.000	12.000	12.000	18.000	—	1,94	2,59	2,59	5,18	—	3,69	12,30	13,53	0,80	3,15	3,81	3,46	13,68	16,58	3,71	TO	3,40	8,80	3624
	27M	35M	53M	53M	—	1,89	2,53	3,79	3,79	—	3,69	12,00	13,53	0,80	3,07	3,81	3,46	13,34	16,58	3,71	TO	3,40	8,80	3624
	9.000	12.000	18.000	18.000	—	3,00	3,00	3,00	3,00	—	3,69	12,00	13,53	0,80	3,07	3,65	3,46	13,34	15,86	3,71	TO	3,40	8,80	3624
35M	35M	35M	35M	—	2,67	2,67	2,67	4,00	—	3,69	12,00	13,53	0,80	3,07	3,81	3,46	13,34	16,58	3,71	TO	3,40	8,80	3624	
12.000	12.000	12.000	12.000	—																				

HEATING

Notes Pd = Pdesign CEA = Annual Energy Consumption

COMBINATION TABLES

Outdoor unit: MU2-Y 125M (PENTA)

OUTDOOR UNIT	INDOOR UNIT					HEATING CAPACITY [kW]					TOTAL HEATING CAPACITY [kW]			ABSORBED HEATING CAPACITY [kW]			TOTAL COOLING CURRENT [A]			COP	SEASONAL EFFICIENCY (EN14825)			
	TO	B	C	D	E	TO	B	C	D	E	Min.	Std.	Max.	Min.	Std.	Max.	Min.	Std.	Max.		Class	SCOP	Pd	CEA [kWh]
MU2-Y 125M (x15)	20M 8.000	20M 8.000	20M 8.000	20M 8.000	20M 8.000	2,46	2,46	2,46	2,46	2,46	4,18	12,30	14,94	0,90	3,32	4,14	3,89	14,41	18,02	3,71	TO	3,80	9,80	3611
	20M 8.000	20M 8.000	20M 8.000	20M 8.000	27M 9.000	2,33	2,33	2,33	2,33	2,99	4,18	12,30	14,94	0,90	3,32	4,14	3,89	14,41	18,02	3,71	TO	3,80	9,80	3611
	20M 8.000	20M 8.000	20M 8.000	20M 8.000	35M 12.000	2,15	2,15	2,15	2,15	3,69	4,18	12,30	14,94	0,90	3,32	4,14	3,89	14,41	18,02	3,71	TO	3,80	9,80	3611
	20M 8.000	20M 8.000	20M 8.000	20M 8.000	53M 18.000	1,87	1,87	1,87	1,87	4,81	4,18	12,30	14,94	0,90	3,32	4,14	3,89	14,41	18,02	3,71	TO	3,80	9,80	3611
	20M 8.000	20M 8.000	20M 8.000	20M 8.000	70M 24.000	1,66	1,66	1,66	1,66	5,68	4,18	12,30	14,94	0,90	3,32	4,14	3,89	14,41	18,02	3,71	TO	3,80	9,80	3611
	20M 8.000	20M 8.000	20M 8.000	27M 9.000	27M 9.000	2,21	2,21	2,21	2,84	2,84	4,18	12,30	14,94	0,90	3,32	4,14	3,89	14,41	18,02	3,71	TO	3,80	9,80	3611
	20M 8.000	20M 8.000	20M 8.000	27M 9.000	35M 12.000	2,35	2,35	2,35	2,64	3,51	4,18	12,30	14,94	0,90	3,32	4,14	3,89	14,41	18,02	3,71	TO	3,80	9,80	3611
	20M 8.000	20M 8.000	20M 8.000	27M 9.000	53M 18.000	1,79	1,79	1,79	2,31	4,61	4,18	12,30	14,94	0,90	3,32	4,14	3,89	14,41	18,02	3,71	TO	3,80	9,80	3611
	20M 8.000	20M 8.000	20M 8.000	27M 9.000	70M 24.000	1,59	1,59	1,59	2,35	5,47	4,18	12,30	14,94	0,90	3,32	4,14	3,89	14,41	18,02	3,71	TO	3,80	9,80	3611
	20M 8.000	20M 8.000	20M 8.000	20M 8.000	35M 12.000	1,91	1,91	1,91	3,28	3,28	4,18	12,30	14,94	0,90	3,32	4,14	3,89	14,41	18,02	3,71	TO	3,80	9,80	3611
	20M 8.000	20M 8.000	20M 8.000	35M 12.000	53M 18.000	1,69	1,69	1,69	2,89	4,34	4,18	12,30	14,94	0,90	3,32	4,14	3,89	14,41	18,02	3,71	TO	3,80	9,80	3611
	20M 8.000	20M 8.000	20M 8.000	35M 12.000	70M 24.000	1,51	1,51	1,51	2,59	5,18	4,18	12,30	14,94	0,90	3,32	4,14	3,89	14,41	18,02	3,71	TO	3,80	9,80	3611
	20M 8.000	20M 8.000	20M 8.000	53M 18.000	53M 18.000	1,51	1,51	1,51	3,88	3,88	4,18	12,30	14,94	0,90	3,32	4,14	3,89	14,41	18,02	3,71	TO	3,80	9,80	3611
	20M 8.000	20M 8.000	27M 9.000	27M 9.000	27M 9.000	2,10	2,10	2,70	2,70	2,70	4,18	12,30	14,94	0,90	3,32	4,14	3,89	14,41	18,02	3,71	TO	3,80	9,80	3611
	20M 8.000	20M 8.000	27M 9.000	27M 9.000	35M 12.000	1,96	1,96	2,52	2,52	3,35	4,18	12,30	14,94	0,90	3,32	4,14	3,89	14,41	18,02	3,71	TO	3,80	9,80	3611
	20M 8.000	20M 8.000	27M 9.000	27M 9.000	53M 18.000	1,72	1,72	2,21	2,21	4,43	4,18	12,30	14,94	0,90	3,32	4,14	3,89	14,41	18,02	3,71	TO	3,80	9,80	3611
	20M 8.000	20M 8.000	27M 9.000	27M 9.000	70M 24.000	1,54	1,54	1,98	1,98	5,27	4,18	12,30	14,94	0,90	3,32	4,14	3,89	14,41	18,02	3,71	TO	3,80	9,80	3611
	20M 8.000	20M 8.000	27M 9.000	35M 12.000	35M 12.000	1,83	1,83	2,36	3,14	3,14	4,18	12,30	14,94	0,90	3,32	4,14	3,89	14,41	18,02	3,71	TO	3,80	9,80	3611
	20M 8.000	20M 8.000	27M 9.000	35M 12.000	53M 18.000	1,62	1,62	2,39	2,78	4,18	4,18	12,30	14,94	0,90	3,32	4,14	3,89	14,41	18,02	3,71	TO	3,80	9,80	3611
	20M 8.000	20M 8.000	27M 9.000	53M 18.000	53M 18.000	1,46	1,46	1,88	3,75	3,75	4,18	12,30	14,94	0,90	3,32	4,14	3,89	14,41	18,02	3,71	TO	3,80	9,80	3611
	20M 8.000	20M 8.000	35M 12.000	35M 12.000	35M 12.000	1,72	1,72	2,95	2,95	2,95	4,18	12,30	14,94	0,90	3,32	4,14	3,89	14,41	18,02	3,71	TO	3,80	9,80	3611
	20M 8.000	20M 8.000	35M 12.000	35M 12.000	53M 18.000	1,54	1,54	2,64	2,64	3,95	4,18	12,30	14,94	0,90	3,32	4,14	3,89	14,41	18,02	3,71	TO	3,80	9,80	3611
	20M 8.000	27M 9.000	27M 9.000	27M 9.000	27M 9.000	2,30	2,57	2,57	2,57	2,57	4,18	12,30	14,94	0,90	3,32	4,14	3,89	14,41	18,02	3,71	TO	3,80	9,80	3611
	20M 8.000	27M 9.000	27M 9.000	27M 9.000	35M 12.000	1,87	2,41	2,41	2,41	3,21	4,18	12,30	14,94	0,90	3,32	4,14	3,89	14,41	18,02	3,71	TO	3,80	9,80	3611
	20M 8.000	27M 9.000	27M 9.000	27M 9.000	53M 18.000	1,66	2,13	2,13	2,13	4,26	4,18	12,30	14,94	0,90	3,32	4,14	3,89	14,41	18,02	3,71	TO	3,80	9,80	3611
	20M 8.000	27M 9.000	27M 9.000	27M 9.000	70M 24.000	1,48	1,91	1,91	1,91	5,09	4,18	12,30	14,94	0,90	3,32	4,14	3,89	14,41	18,02	3,71	TO	3,80	9,80	3611
	20M 8.000	27M 9.000	27M 9.000	35M 12.000	35M 12.000	1,76	2,26	2,26	3,01	3,01	4,18	12,30	14,94	0,90	3,32	4,14	3,89	14,41	18,02	3,71	TO	3,80	9,80	3611
	20M 8.000	27M 9.000	27M 9.000	35M 12.000	53M 18.000	1,57	2,31	2,31	2,68	4,03	4,18	12,30	14,94	0,90	3,32	4,14	3,89	14,41	18,02	3,71	TO	3,80	9,80	3611
	20M 8.000	27M 9.000	35M 12.000	35M 12.000	35M 12.000	1,66	2,13	2,84	2,84	2,84	4,18	12,30	14,94	0,90	3,32	4,14	3,89	14,41	18,02	3,71	TO	3,80	9,80	3611
	20M 8.000	27M 9.000	35M 12.000	35M 12.000	53M 18.000	1,48	1,91	2,54	2,54	3,82	4,18	12,30	14,94	0,90	3,32	4,14	3,89	14,41	18,02	3,71	TO	3,80	9,80	3611
	20M 8.000	35M 12.000	35M 12.000	35M 12.000	35M 12.000	1,57	2,68	2,68	2,68	2,68	4,18	12,30	14,94	0,90	3,32	4,14	3,89	14,41	18,02	3,71	TO	3,80	9,80	3611
	27M 9.000	27M 9.000	27M 9.000	27M 9.000	27M 9.000	2,46	2,46	2,46	2,46	2,46	4,18	12,30	14,94	0,90	3,32	4,14	3,89	14,41	18,02	3,71	TO	3,80	9,80	3611
	27M 9.000	27M 9.000	27M 9.000	27M 9.000	35M 12.000	2,31	2,31	2,31	2,31	3,08	4,18	12,30	14,94	0,90	3,32	4,14	3,89	14,41	18,02	3,71	TO	3,80	9,80	3611
	27M 9.000	27M 9.000	27M 9.000	27M 9.000	53M 18.000	2,35	2,35	2,35	2,35	4,10	4,18	12,30	14,94	0,90	3,32	4,14	3,89	14,41	18,02	3,71	TO	3,80	9,80	3611
	27M 9.000	27M 9.000	27M 9.000	35M 12.000	35M 12.000	2,17	2,17	2,17	2,89	2,89	4,18	12,30	14,94	0,90	3,32	4,14	3,89	14,41	18,02	3,71	TO	3,80	9,80	3611
	27M 9.000	27M 9.000	27M 9.000	35M 12.000	53M 18.000	1,94	1,94	1,94	2,59	3,88	4,18	12,30	14,94	0,90	3,32	4,14	3,89	14,41	18,02	3,71	TO	3,80	9,80	3611
	27M 9.000	27M 9.000	35M 12.000	35M 12.000	35M 12.000	2,35	2,35	2,73	2,73	2,73	4,18	12,30	14,94	0,90	3,32	4,14	3,89	14,41	18,02	3,71	TO	3,80	9,80	3611
	27M 9.000	35M 12.000	35M 12.000	35M 12.000	35M 12.000	1,94	2,59	2,59	2,59	2,59	4,18	12,30	14,94	0,90	3,32	4,14	3,89	14,41	18,02	3,71	TO	3,80	9,80	3611

MULTISplit

Notes Pd = Pdesign CEA = Annual Energy Consumption

Light Commercial



LIGHT COMMERCIAL

WHY CHOOSE A LIGHT COMMERCIAL SYSTEM?

- ✓ Systems up to 16 kW, the ideal solution for air conditioning in commercial zones such as offices, banks and meeting rooms,
- ✓ TWIN configuration for a more comfortable environment
- ✓ Can be managed with Wi-Fi, Centralised controllers, data converters or BMS systems

OUTDOOR/INDOOR UNIT COMBINATION

UNIT INDOOR	CASSETTE COMPACT 4-WAY				4-WAY CASSETTE						DUCTABLE							
ODU-SL 2	CASSETTE PREVIEW 4-WAY COMPATTE		BOX 2 650x650		BOX 2 950x950						DUCT 3 PREVIEW							
	IBA1-Y		IB3-XY		IA3-XY						IDA1-Y							
	35M	53M	35M	53M	70M	88M	105M	120M	140M	160M	35M	53M	70M	88M	105M	120M	140M	160M
MC3-Y 35M	•		•								•							
MC3-Y 53M		•		•								•						
MC4-Y 70M*					•						T		•					
MC3-Y 70M					•													
MC4-Y 88M*						•								•				
MC3-Y 88M						•												
MC3-Y 105M							•					T			•			
MC3-Y 120M								•					T			•		
MC3-Y 105T							•						T		•			
MC4-Y 140T*									•					T			•	
MC3-Y 140T									•									•
MC4-Y 160T*										•					T			
MC3-Y 160T										•								•

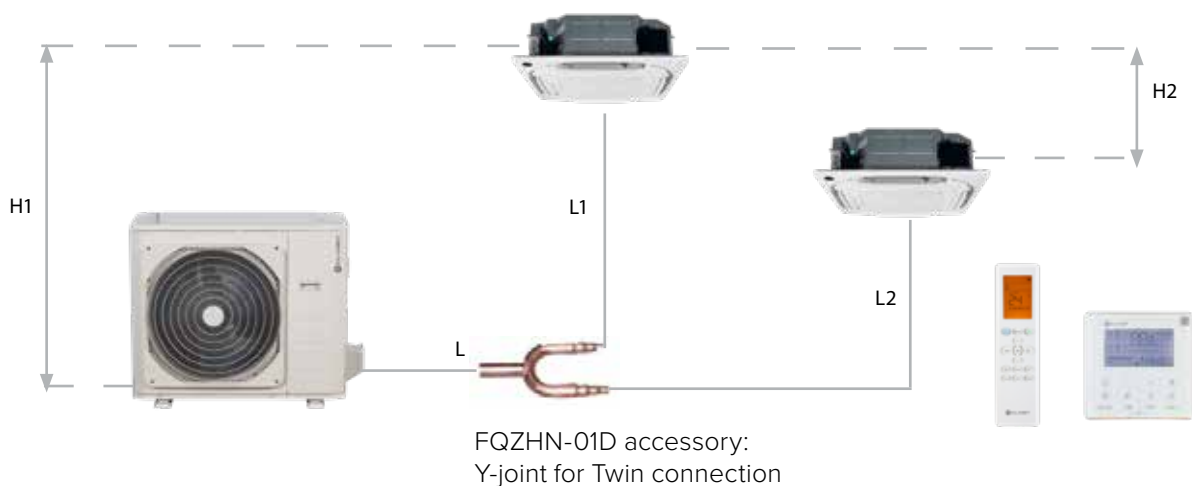
* Note: At the time of publication of this catalogue, the upgrade from MC3-Y to MC4-Y is in PREVIEW and concerns sizes 70M - 88M - 140T - 160T.



DUCTABLE								CONSOLE		CEILING & FLOOR						TOWER
DUCT 2								CONSOLE 3		CEILING & FLOOR 2						STANDING 2
ID3-XY								IC3-Y		IF3-XY						IS3-XY
35M	53M	70M	88M	105M	120M	140M	160M	35M	53M	53M	70M	105M	140M	160M	140M	
•								•								
	•								•	•						
T		•									•					
			•								•					
	T			•						T		•				
	T			•	•					T		•				
		T				•					T		•		•	
							•				T		•		•	
														•		
														•		

A COMPLETE SYSTEM FOR LIGHT COMMERCIAL APPLICATIONS

TWIN CONFIGURATION FOR IMPROVED AIR DISTRIBUTION IN THE ROOM



		[m]	
Length Piping	Total length	65	L+Max(L1,L2)
	Max. length of the single lines	15	L1,L2
	Max. length difference between lines L1-L2	10	L1,L2
Difference in height	Max. level difference between indoor - outdoor units	20	H1
	Max. level difference between two indoor units	0,5	H2

The TWIN indoor units are designed to be installed in one single room.
The control allows to control the main unit while the secondary one follows the on/off, set-point, operating modes and fan speed settings.

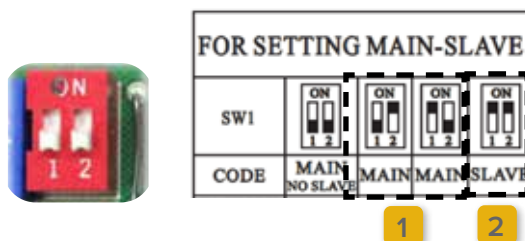
POSSIBLE COMBINATIONS

	Indoor unit 1	Indoor unit 2	OUTDOOR UNIT
	IA3-XY 70M	IA3-XY 70M	MC3-Y 140T/MC4-Y 140T*
	IA3-XY 88M	IA3-XY 88M	MC3-Y 160T/MC4-Y 160T*
	IDA1-Y 35M	IDA1-Y 35M	MC4-Y 70M*
	IDA1-Y 53M	IDA1-Y 53M	MC3-Y 105M/105T
	IDA1-Y 70M	IDA1-Y 70M	MC4-Y 140T*
	IDA1-Y 88M	IDA1-Y 88M	MC4-Y 160T*
	ID3-XY 35M	ID3-XY 35M	MC3-Y 70M
	ID3-XY 53M	ID3-XY 53M	MC3-Y 105M/105T
	ID3-XY 70M	ID3-XY 70M	MC3-Y 140T
	ID3-XY 88M	ID3-XY 88M	MC3-Y 160T
	IF3-XY 53M	IF3-XY 53M	MC3-Y 105M/105T
	IF3-XY 70M	IF3-XY 70M	MC3-Y 140T/MC4-Y 140T*

* Note: At the time of publication of this catalogue, the upgrade from MC3-Y to MC4-Y is in **PREVIEW** and concerns sizes 70M - 88M - 140T - 160T.

Note:
SET THE INDOOR UNITS

Set the SW5 switch



1. Slave indoor unit: 1 and 2 both in ON
2. Master indoor unit: alternate position of 1 and 2 (one in ON and the other in OFF)

technical data

Outdoor unit				MC3-Y	35M	53M	70M	88M	105M	120M	105T	140T	160T
Code					89092252	89112214	89092257	89112230	89092274	87032230	89122200	88072255	89102239
Dimensions	Unit	L x D x H	mm		765x303x555	805x330x554	890x342x673	946x410x810	946x410x810	946x410x810	946x410x810	952x415x1333	952x415x1333
	Packaging	L x D x H	mm		887x337x610	915x370x615	995x398x740	1090x500x885	1090x500x885	1090x500x885	1090x500x885	1095x495x1480	1095x495x1480
Weight	Unit / Packaging		kg		26,6/29,0	32,5/35,2	43,9/46,9	52,8/57,3	66,9/71,5	71,0/75,0	80,5/85,0	103,7/118,3	107,0/121,2
Sound power		Nominal	dB(A)		62	65	69	70	70	72	70	74	75
	Sound pressure level		dB(A)		54	56	60	62	63	63	63	64	64
Operating operation	Cooling	Indoor T.	°C							16÷32			
		Outdoor T.	°CBS							-15÷50			
	Heating	Indoor T.	°C							0÷30			
		Outdoor T.	°CBU							-15÷24			
Refrigerant	Type/GWP		-						R-32 / 675				
Power supply	Voltage/Frequency/Phases		V/Hz/n°				230 / 50 / 1					400 / 50 / 3 + N	
Current - 50Hz	Maximum fuse capacity (MFA)		TO		20			30				25	

Outdoor unit				MC4-Y	70M	88M	140T	160T
Code					62242528	62242529	62242530	62242527
Dimensions	Unit	L x D x H	mm		890x342x673	946x410x810	980x375x975	980x375x975
	Packaging	L x D x H	mm		995x398x740	1.090x500x885	1.145x500x1.080	1.145x500x1.080
Weight	Unit / Packaging		kg		41,9/45,2	51/55,7	90/105	92/107
Sound power		Nominal	dB(A)		69	70	73	74
Sound pressure level		Nominal	dB(A)		60	60	65	64
	Operating operation	Cooling	Indoor T.	°C	16÷32	16÷32	16÷32	16÷32
		Outdoor T.	°CBS	-15÷50	-15÷50	-15÷50	-15÷50	
	Heating	Indoor T.	°C	0÷30	0÷30	0÷30	0÷30	
		Outdoor T.	°CBU	-20÷24	-20÷24	-20÷24	-20÷24	
Refrigerant	Type/GWP		-	R-32 / 675	R-32 / 675	R-32 / 675	R-32 / 675	
Power supply	Voltage/Frequency/Phases		V/Hz/n°	230 / 50 / 1	230 / 50 / 1	400 / 50 / 3 + N	400 / 50 / 3 + N	
Current - 50Hz	Maximum fuse capacity (MFA)		TO	30	30	25	25	

¹ SEER and SCOP data, relative energy ratings and annual energy consumption in conformity to the EN 14825 standard measurement.

² EER/COP values declared only for tax deductions in force at the time this document was written
R/W = Removable/Washable

Test conditions:

according to EN14511 / EN12102

Cooling: indoor air temperature 27°C DB/19°C WB; outdoor air temperature 35°C DB/24°C WB;

Heating: indoor air temperature 20°C DB/15°C WB; outdoor air temperature 7°C DB/6°C WB.

Data declared according to UE 626/2011 delegated regulation

refrigerant piping and connections

Set			35M	53M	70M	88M	105M	120M	105T	140T	160T
Max equivalent length	m		25	30	50	50	75	75	75	75	75
Max difference in level ODU / IDU	m		±10	±20	±25	±25	±30	±30	±30	±30	±30
Refrigerant precharge	kg / m		0,72 / 5	1,15 / 5	1,5 / 5	2,0 / 5	2,4 / 5	2,8 / 5	2,4 / 5	2,9 / 5	3,0 / 5
External diameters (ODU)	Liquid	mm / inch	Φ6,35 - 1/4"	Φ6,35 - 1/4"	Φ9,52 - 3/8"	Φ9,52 - 3/8"	Φ9,52 - 3/8"	Φ9,52 - 3/8"	Φ9,52 - 3/8"	Φ9,52 - 3/8"	Φ9,52 - 3/8"
	Gas	mm / inch	Φ9,52 - 3/8"	Φ12,7 - 1/2"	Φ15,9 - 5/8"	Φ15,9 - 5/8"	Φ15,9 - 5/8"	Φ15,9 - 5/8"	Φ15,9 - 5/8"	Φ15,9 - 5/8"	Φ15,9 - 5/8"

electrical connections

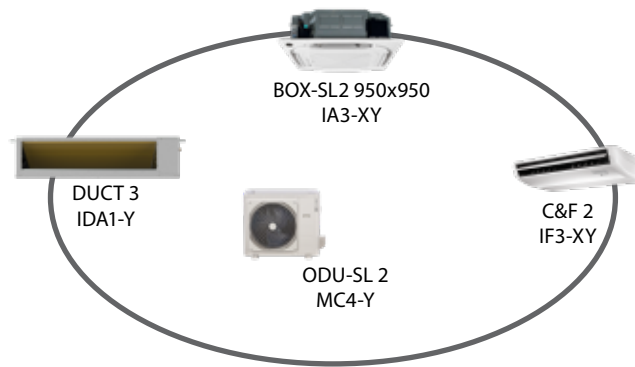
Set			35M	53M	70M	88M	105M	120M	105T	140T	160T
ODU	Power supply	V/Hz/n°	230 / 50 / 1	230 / 50 / 1	230 / 50 / 1	230 / 50 / 1	230 / 50 / 1	230 / 50 / 1	400 / 50 / 3	400 / 50 / 3	400 / 50 / 3
		no. of cables	2 + G	2 + G	2 + G	2 + G	2 + G	2 + G	4 + G	4 + G	4 + G
IDU	Power supply	V/Hz/n°	230 / 50 / 1	230 / 50 / 1	230 / 50 / 1	230 / 50 / 1	230 / 50 / 1	230 / 50 / 1	230 / 50 / 1	230 / 50 / 1	230 / 50 / 1
		no. of cables	2 + G	2 + G	2 + G	2 + G	2 + G	2 + G	2 + G	2 + G	2 + G
	Signal	no. of cables	1	1	1	1	1	1	1	1	1

compatibility

MC3-Y: 70M - 88M - 140T - 160T



MC4-Y: 70M - 88M - 140T - 160T



CASSETTE COMPATTA 4-VIE 35M ÷ 53M



35 dB(A)



CONTROL SYSTEM
SPLIT VRF

PREVIEW



COMFORT



Stepless control compressor



Silent



Anti-cold air



Temperature Compensation

RELIABILITY



Self-diagnosis Function



Emergency Function



Auto Defrosting



Condensate drain pump



Opposite fan rotation

CONVENIENCE



Manual ON/OFF



Remote On/Off



Error Alarm Port



Auto-restart

ENERGY SAVING



Sleep



Gear

HEALTH



Fresh Air



i-Clean

OPTIONAL



Wired controller



Centralised control



BMS Communication



WiFi Control



Wi-Fi NWMX
(optional)



620X620 PANNEL
T-MBQ4-03BD
(accessory mandatory)



WIRED REMOTE CONTROL
KJR-120N-12 V
(optional)



REMOTE CONTROL
RG10N2-D2S-BGEF
(standard)



IB3-XY



MC3-Y

technical data

Set			35M	53M	
Cooling capacity	Nominal (Min.=Max.)	Btu/h	12.000 (2.900÷14.200)	18.000 (9.900÷20.000)	
	Nominal (Min.=Max.)	kW	3,52 (0,85÷4,16)	5,28 (2,90÷5,59)	
Heating capacity	Nominal (Min.=Max.)	Btu/h	13.000 (1.600÷14.800)	18.000 (8.100÷21.500)	
	Nominal (Min.=Max.)	kW	3,81 (0,47÷4,34)	5,33 (2,37÷6,10)	
Standard power supply	Cooling (Min.=Max.)	W	1.015 (160÷1.450)	1.550 (720÷2.040)	
	Heating (Min.=Max.)	W	1.020 (125÷1.390)	1.420 (700÷1.950)	
Rated current input	Cooling (Min.=Max.)	TO	4,50 (1,30÷6,40)	6,90 (3,20÷9,00)	
	Heating (Min.=Max.)	TO	4,50 (1,10÷6,20)	6,00 (3,10÷8,60)	
Seasonal efficiency ¹	Cooling	Energy class	-	A++	
		Design load (Pdesign)	kW	3,50	5,30
		SEER	-	6,80	6,50
		Annual energy consumption	kWh/a	184	285
	Average season	Energy class	-	A+	A+
		Design load (Pdesign)	kW	2,70	4,20
		SCOP	-	4,10	4,10
		Annual energy consumption	kWh/a	922	1.431
		Energy class	-	A+++	A+++
		SCOP	-	5,10	5,10
Standard efficiency ²	EER	-	3,47	3,40	
	COP	-	3,74	3,76	

Indoor unit

		IBA1-Y	35M	53M
Code			89102297	89102233
Dimensions	Unit	L x D x H	570x570x260	570x570x260
	Packaging (Unit)	L x D x H	662x662x317	662x662x317
	Panel	L x D x H	647x647x50	647x647x50
	Packaging (Panel)	L x D x H	715x715x123	715x715x123
Weight	Unit / Packaging	kg	16,2/21,4	16,2/21,4
	Panel / Packaging	kg	2,50/4,50	2,50/4,50
Air filter	Type	-	R/W	R/W
Airflow		Hi/Mi/Lo	569/485/389	680/584/479
Sound power		Hi	57	59
Sound pressure level		Hi/Mid/Lo	42/38/35	46/44/39
Control systems	Infrared remote control	-	RG10N2-D2S-BGEF	RG10N2-D2S-BGEF
	Settable temperature	°C	16÷30	16÷30
Power supply	Voltage/Frequency/Phases	V/Hz/n°	230 / 50 / 1	230 / 50 / 1

¹ SEER and SCOP data, relative energy ratings and annual energy consumption in conformity to the EN 14825 standard measurement.

² EER/COP values declared only for tax deductions in force at the time this document was written
R/W = Removable/Washable

Test conditions:

according to EN14511 / EN12102

Cooling: indoor air temperature 27°C DB/19°C WB; outdoor air temperature 35°C DB/24°C WB;

Heating: indoor air temperature 20°C DB/15°C WB; outdoor air temperature 7°C DB/6°C WB.

Data declared according to UE 626/2011 delegated regulation

accessories

Standard

RG10A-D2S-BGEF	Infrared remote control for CRISTALLO 2 / EZCool / BOX 2 / CONSOLE 3 / DUCT 3 / DUCT 2 / C&F 2 indoor units
-----------------------	---

Optionals

T-MBQ4-03B4	Panel for Box 2 650x650, 360° air delivery, round hole grill (Mandatory accessory, to be selected separately)
--------------------	---

NWMX	Wi-fi kit for indoor units
-------------	----------------------------

Control Systems	(see dedicated section)
------------------------	-------------------------

BOX 2 650X650 35M ÷ 53M

TO EXHAUSTION



35 dB(A)



CONTROL SYSTEM



COMFORT



Stepless control compressor



Silent



Anti-cold air



Temperature Compensation

RELIABILITY



Self-diagnosis Function



Emergency Function



Auto Defrosting



Condensate drain pump



Opposite fan rotation

CONVENIENCE



Manual ON/OFF



Remote On/Off



Error Alarm Port



Auto-restart

ENERGY SAVING



Sleep



Gear

HEALTH



Fresh Air



i-Clean

OPTIONAL



Wired controller



Centralised control



BMS Communication



WiFi Control


PANEL 650X650 T-MBQ4-03B4
 (mandatory accessory)


Wi-Fi WF-60A1-C
 (optional)


WIRED REMOTE CONTROL KJR-120N-12 V
 (optional)


WIRED REMOTE CONTROL KJR-120X2-TFBG-E
 (optional)


REMOTE CONTROL RG10A-D2S-BGEF
 (standard)


IB3-XY
MC3-Y

technical data

Set			35M	53M	
Cooling capacity	Nominal (Min.=Max.)	Btu/h	12.000 (2,900÷14.000)	18.000 (9,900÷19.000)	
	Nominal (Min.=Max.)	kW	3,52 (0,85÷4,11)	5,28 (2,90÷5,59)	
Heating capacity	Nominal (Min.=Max.)	Btu/h	13.000 (1,600÷14.700)	19.000 (8,100÷20.800)	
	Nominal (Min.=Max.)	kW	3,81 (0,47÷4,31)	5,57 (2,37÷6,10)	
Standard power supply	Cooling (Min.=Max.)	W	1.010 (168÷1.434)	1.630 (720÷2.088)	
	Heating (Min.=Max.)	W	1.020 (124÷1.376)	1.540 (700÷1.930)	
Rated current input	Cooling (Min.=Max.)	TO	4,45 (1,32÷6,31)	7,2 (3,20÷9,20)	
	Heating (Min.=Max.)	TO	4,73 (1,04÷6,07)	6,80 (3,10÷8,50)	
Seasonal efficiency ¹	Cooling	Energy class	-	A++	
		Design load (Pdesign)	kW	3,50	
		SEER	-	6,10	
		Annual energy consumption	kWh/a	186	
	Average season	Energy class	-	A+	
		Design load (Pdesign)	kW	2,70	
		SCOP	-	4,00	
		Annual energy consumption	kWh/a	922	
		Heating	Energy class	-	A++
		Warmer season	SCOP	-	5,10
Standard efficiency ²	EER	-	3,48	3,23	
	COP	-	3,74	3,71	

Indoor unit		IB3-XY	35M	53M
Code			89102297	89102233
Dimensions	Unit	L x D x H	mm	570x570x260
	Packaging (Unit)	L x D x H	mm	662x662x317
	Panel	L x D x H	mm	647x647x50
	Packaging (Panel)	L x D x H	mm	715x715x123
Weight	Unit / Packaging		kg	16,2/21,4
	Panel / Packaging		kg	2,50/4,50
Air filter	Type			R/W
Airflow		Hi/Mi/Lo	m ³ /h	569/485/389
Sound power		Hi	dB(A)	57
Sound pressure level		Hi/Mid/Lo	dB(A)	42/38/35
Control systems	Infrared remote control			RG10A-D2S-BGEF
	Settable temperature		°C	16÷30
Power supply	Voltage/Frequency/Phases	V/Hz/n°		230 / 50 / 1

¹ SEER and SCOP data, relative energy ratings and annual energy consumption in conformity to the EN 14825 standard measurement.

² EER/COP values declared only for tax deductions in force at the time this document was written
 R/W = Removable/Washable

Test conditions:

according to EN14511 / EN12102

Cooling: indoor air temperature 27°C DB/19°C WB; outdoor air temperature 35°C DB/24°C WB;

Heating: indoor air temperature 20°C DB/15°C WB; outdoor air temperature 7°C DB/6°C WB.

Data declared according to UE 626/2011 delegated regulation

accessories

Standard

RG10A-D2S-BGEF Infrared remote control for CRISTALLO 2 / EZCool / BOX 2 / CONSOLE 3 / DUCT 3 / DUCT 2 / C&F 2 indoor units

Optionals

T-MBQ4-03B4 Panel for Box 2 650x650, 360° air delivery, round hole grill (Mandatory accessory, to be selected separately)

WF-60A1-C Smart port kit for the hiwall indoor unit management via Wi-Fi (it includes the adaptor and the USB key)

Control Systems (see dedicated section)

BOX 2 950x950 70M ÷ 160M



42 dB(A)



CONTROL SYSTEM



COMFORT



Stepless control compressor



Silent



6-grades outdoor Fan speed



Anti-cold air



Temperature Compensation

RELIABILITY



Self-diagnosis Function



Emergency Function



Auto Defrosting



Technical room conditioning



Condensate drain pump



Opposite fan rotation

CONVENIENCE



Manual ON/OFF



Remote On/Off



Error Alarm Port



Louver Position Memory



Auto-restart

ENERGY SAVING



Sleep



Gear

HEALTH



Fresh Air



i-Clean

OPTIONAL



Wired controller



Centralised control



BMS Communication



Wi-Fi control



PANNEL 950X950 T-MBQ4-04B
(mandatory accessory)



Wi-Fi KFR-120Q-EDFJB-B
(optional)



WIRED REMOTE CONTROL KJR-120N-12 V
(optional)
(MKCX kit necessary)



WIRED REMOTE CONTROL KJR-120X2-TFBG-E
(optional)



REMOTE CONTROL RG10A-D2S-BGEF
(standard)



IA3-XY



MC3-Y+MC4-Y

technical data

Set			70M	88M	105M	120M	105T	140T	160T	
Cooling capacity	Nominal (Min.=Max.)	Btu/h	24,000 (11,270÷27,000)	30,000 (7,600÷32,000)	36,000 (9,200÷39,000)	41,000 (10,000÷42,000)	36,000 (9,200÷39,000)	48,000 (12,000÷54,000)	52,000 (14,000÷57,000)	
	Nominal (Min.=Max.)	kW	7,03 (3,30÷7,91)	8,79 (2,23÷9,38)	10,6 (2,70÷11,4)	12,0 (2,93÷12,3)	10,6 (2,70÷11,4)	14,1 (3,52÷15,8)	15,2 (4,10÷16,7)	
Heating capacity	Nominal (Min.=Max.)	Btu/h	26,000 (9,600÷30,500)	32,000 (9,200÷33,200)	38,000 (9,500÷42,000)	46,000 (11,500÷48,000)	38,000 (9,500÷43,200)	55,000 (14,000÷59,000)	62,000 (15,000÷68,000)	
	Nominal (Min.=Max.)	kW	7,62 (2,81÷8,94)	9,38 (2,70÷9,73)	11,1 (2,78÷12,3)	13,5 (3,37÷14,1)	11,1 (2,78÷12,7)	16,1 (4,10÷17,3)	18,2 (4,40÷19,9)	
Standard power supply	Cooling	Nominal (Min.=Max.)	W	2,320 (780÷2,748)	2,750 (190÷3,000)	3,950 (900÷4,200)	4,200 (680÷4,350)	4,000 (890÷4,150)	5,000 (800÷5,900)	
	Heating	Nominal (Min.=Max.)	W	1,900 (610÷2,700)	2,450 (430÷2,550)	3,000 (800÷3,950)	3,700 (750÷4,250)	3,000 (780÷4,000)	5,550 (900÷5,500)	
Standard current input	Cooling	Nominal (Min.=Max.)	TO	10,2 (4,20÷12,0)	12,0 (2,00÷13,0)	17,5 (4,20÷18,5)	18,8 (3,10÷19,1)	6,50 (1,40÷6,50)	8,10 (1,80÷10,2)	
	Heating	Nominal (Min.=Max.)	TO	8,50 (3,60÷12,1)	11,0 (3,00÷11,5)	13,5 (3,50÷17,5)	16,3 (3,40÷19,0)	5,00 (1,30÷6,40)	8,00 (1,90÷9,50)	
Seasonal efficiency ¹	Cooling	Energy class	-	A++	A++	A++	A++	A++	A++	
		Design load (Pdesign)	kW	7,00	8,80	10,5	12,1	10,5	14,0	15,3
		SEER	-	6,10	6,10	6,10	6,10	6,10	6,10	6,10
		Annual energy consumption	kWh/a	395	467	549	700	589	810	860
	Heating	Energy class	-	A+	A+	A+	A+	A+	A+	A+
		Design load (Pdesign)	kW	6,00	7,80	8,50	9,50	8,20	11,2	11,9
		SCOP	-	4,00	4,00	4,00	4,00	4,00	4,00	4,00
		Annual energy consumption	kWh/a	2,100	2,467	2,975	3,275	2,870	3,860	4,190
		Energy class	-	A+++	A+++	A+++	A+++	A+++	A++	A+++
		SCOP	-	5,10	5,10	5,10	5,10	5,10	5,00	5,10
Standard efficiency ²	EER	-	3,28	3,23	3,33	2,86	3,29	3,03	3,05	
	COP	-	4,01	3,83	3,71	3,71	3,71	3,52	3,27	

technical data

Set			70M	88M	105M	120M	
Cooling capacity	Nominal (Min.:Max.)		Btu/h 21.000 (11.250÷27.000)	30.000 (7.600÷32.000)	40.000 (12.000÷54.000)	52.000 (14.000÷55.000)	
	Nominal (Min.:Max.)		kW 6,15 (3,29÷7,91)	8,79 (2,23÷9,38)	11,7 (3,52÷15,8)	15,2 (4,10÷16,2)	
Heating capacity	Nominal (Min.:Max.)		Btu/h 26.000 (9.500÷29.000)	32.000 (9.200÷33.200)	48.000 (14.000÷59.000)	62.000 (15.000÷65.000)	
	Nominal (Min.:Max.)		kW 7,62 (2,79÷8,50)	9,38 (2,70÷9,73)	14,1(4,10÷17,3)	18,2 (4,40÷19,1)	
Standard power supply	Cooling	Nominal (Min.:Max.)	W 1.880 (780÷2.750)	2.720 (190÷3.000)	3.630 (810÷6.350)	5.700 (1.000÷6.250)	
	Heating	Nominal (Min.:Max.)	W 1.900 (610÷2.300)	2.450 (430÷2.550)	3.790 (900÷5.900)	5.700 (1.020÷6.350)	
Standard current input	Cooling	Nominal (Min.:Max.)	TO 8,30 (4,20~12,0)	11,8 (2,00÷13,0)	5,80 (1,80÷10,3)	8,80 (2,10÷10,7)	
	Heating	Nominal (Min.:Max.)	TO 8,50 (3,60÷10,1)	11,0 (3,00÷11,5)	5,70 (1,90÷9,60)	8,80 (2,10÷10,8)	
Seasonal efficiency ¹	Cooling	Energy class	-	A++	A++	A++	A++
		Design load (Pdesign)	kW	7,10	8,80	14,0	15,3
		SEER	-	6,30	6,60	6,10	6,10
		Annual energy consumption	kWh/a	394	467	1737	1505
	Heating	Energy class	-	A+	A+	A+	A+
		Design load (Pdesign)	kW	6,20	7,70	11,2	11,2
		SCOP	-	4,10	4,20	4,00	4,00
		Annual energy consumption	kWh/a	2.117	2.567	3.920	4.130
	Average season	Heating	Energy class	-	A+++	A++	A++
		Warmer season	SCOP	-	6,40	5,10	5,10
Standard efficiency ²	EER	-	3,28	3,23	3,23	2,67	
	COP	-	4,01	3,83	3,71	3,19	

Indoor unit			IA3-XY	70M	88M	105M	120M	105M	140M	160M
Code				88072256	89102215	89102221	89112233	89102221	89122256	89132225
Dimensions	Unit	L x D x H	mm	830x830x205	830x830x245	830x830x245	830x830x287	830x830x245	830x830x287	830x830x287
	Packaging (Unit)	L x D x H	mm	910x910x250	910x910x290	910x910x290	910x910x330	910x910x290	910x910x330	910x910x330
	Panel	L x D x H	mm	950x950x55	950x950x55	950x950x55	950x950x55	950x950x55	950x950x55	950x950x55
	Packaging (Panel)	L x D x H	mm	1035x1035x90	1035x1035x90	1035x1035x90	1035x1035x90	1035x1035x90	1035x1035x90	1035x1035x90
Weight	Unit / Packaging		kg	21,6/25,4	24,6/28,6	27,2/31,2	29,3/33,5	27,2/31,2	29,3/33,5	29,3/33,5
	Panel / Packaging		kg	6,00/9,00	6,00/9,00	6,00/9,00	6,00/9,00	6,00/9,00	6,00/9,00	6,00/9,00
Air filter	Type		-	R/W	R/W	R/W	R/W	R/W	R/W	R/W
Airflow		Hi/Mid/Lo	m ³ /h	1247/1118/992	1700/1530/1300	1700/1530/1300	1900/1750/1600	1700/1530/1300	1900/1750/1600	2000/1850/1650
Sound power		Hi	dB(A)	59	63	64	66	64	66	66
Sound pressure level		Hi/Mid/Lo	dB(A)	50/48/42	51/48/46	51/49/46	53/50/48	51/49/46	53/51/48	55/52/50
Control systems	Infrared remote control		-	RG10A-D2S-BGEF	RG10A-D2S-BGEF	RG10A-D2S-BGEF	RG10A-D2S-BGEF	RG10A-D2S-BGEF	RG10A-D2S-BGEF	RG10A-D2S-BGEF
	Settable temperature		°C	16÷30	16÷30	16÷30	16÷30	16÷30	16÷30	16÷30
Power supply	Voltage/Frequency/Phases		V/Hz/n°	230 / 50 / 1	230 / 50 / 1	230 / 50 / 1	230 / 50 / 1	230 / 50 / 1	230 / 50 / 1	230 / 50 / 1

¹ SEER and SCOP data, relative energy ratings and annual energy consumption in conformity to the EN 14825 standard measurement.

² EER/COP values declared only for tax deductions in force at the time this document was written
R/W = Removable/Washable

Test conditions:

according to EN14511 / EN12102

Cooling: indoor air temperature 27°C DB/19°C WB; outdoor air temperature 35°C DB/24°C WB;

Heating: indoor air temperature 20°C DB/15°C WB; outdoor air temperature 7°C DB/6°C WB.

Data declared according to UE 626/2011 delegated regulation

accessories

Standard	
RG10A-D2S-BGEF	Infrared remote control for CRISTALLO 2 / EZCool / BOX 2 / CONSOLE 3 / DUCT 3 / DUCT 2 / C&F 2 indoor units
Optionals	
T-MBQ4-04B	Panel for Box 2 950x950, 360° air delivery, round hole grill (Mandatory accessory, to be selected separately)
KFR-120Q-EDFJB-B	Smart port kit for the hiwall indoor unit management via Wi-Fi (it includes the adaptor and the USB key)
Control Systems	(see dedicated section)

DUCT 3 35M ÷ 160M

PREVIEW



30 dB(A)



CONTROL SYSTEM



COMFORT



Stepless control compressor



Silent



Anti-cold air



Temperature Compensation

RELIABILITY



Self-diagnosis Function



Emergency Function



Auto Defrosting



Condensate drain pump



Opposite fan rotation

CONVENIENCE



Remote On/Off



Error Alarm Port



Auto-restart

ENERGY SAVING



Sleep



Gear

HEALTH



Fresh air



i-Clean

OPTIONAL



Wired controller



Centralised control



BMS Communication



Wi-Fi control

PREVIEW



WIRED REMOTE CONTROLKJR-120N-12 V
(optional)



REMOTE CONTROL RG10A-D2S-BGEF
(standard)



ID3-XY



MC3-Y - MC4-Y

technical data

Set			35M	53M	70M	88M	105M	120M	105T	140T	160T	
Cooling capacity	Nominal (Min.÷Max.)	Btu/h	12.000 (1.800÷13.300)	18.000 (4.500÷21.000)	24.200 (11.000÷27.000)	27.300 (7.600÷34.000)	36.640 (9.400÷40.000)	37.500 (10.000÷42.000)	31.500 (9.300÷40.000)	41.630 (12.000÷54.000)	52.000 (14.000÷59.000)	
	Nominal (Min.÷Max.)	kW	3,52 (0,53÷3,91)	5,28 (1,32÷6,16)	7,09 (3,23÷7,92)	8,00 (2,23÷9,97)	9,86 (2,75÷11,7)	11,0 (2,93÷12,3)	9,23 (2,73÷11,8)	12,2 (3,52÷15,8)	15,2 (4,10÷17,3)	
Heating capacity	Nominal (Min.÷Max.)	Btu/h	11.500 (3.400÷15.200)	20.500 (5.100÷21.500)	27.200 (9.500÷29.200)	32.000 (9.200÷34.100)	35.000 (9.500÷43.000)	46.000 (11.500÷48.000)	34.500 (9.500÷43.800)	52.000 (14.000÷60.000)	62.000 (15.000÷70.000)	
	Nominal (Min.÷Max.)	kW	3,37 (1,00÷4,47)	6,00 (1,50÷6,30)	8,00 (2,79÷8,56)	9,38 (2,70÷10,0)	10,3 (2,78÷12,6)	13,5 (3,37÷14,1)	10,1 (2,78÷12,8)	15,2 (4,11÷17,6)	18,2 (4,40÷20,5)	
Standard power supply	Cooling	Nominal (Min.÷Max.)	W	1.090 (155÷1.465)	1.590 (360÷2.130)	2.190 (750÷2.860)	2.480 (190÷3.450)	3.015 (900÷4.300)	3.400 (680÷4.500)	2.830 (890÷4.200)	3.800 (810÷6.450)	5.250 (1.030÷6.650)
	Heating	Nominal (Min.÷Max.)	W	900 (302÷1.423)	1.615 (500÷1.850)	2.000 (640÷2.500)	2.400 (430÷2.550)	2.750 (800÷3.950)	3.550 (750÷4.100)	2.710 (780÷4.000)	4.100 (950÷5.800)	5.150 (950÷6.600)
Standard current input	Cooling	Nominal (Min.÷Max.)	TO	4,82 (1,30÷6,47)	7,10 (1,60÷9,40)	10,0 (4,20÷12,6)	10,8 (2,00÷15,0)	13,6 (4,20÷19,0)	14,8 (3,10÷19,8)	4,40 (1,40÷6,70)	6,54 (1,80÷10,5)	8,10 (3,10÷11,5)
	Heating	Nominal (Min.÷Max.)	TO	3,98 (1,48÷6,29)	7,20 (2,20÷8,10)	9,00 (3,80÷11,0)	10,6 (3,00÷11,5)	12,2 (3,50÷17,5)	16,0 (3,40÷18,5)	4,30 (1,30÷6,40)	7,10 (2,00÷9,00)	8,00 (2,00÷11,5)
Seasonal efficiency ¹	Cooling	Energy class	-	A++	A++	A++	A++	A++	A++	A++	A++	
		Design load (Pdesign)	kW	3,50	5,30	7,10	8,80	10,5	12,1	10,6	14,0	15,3
		SEER	-	6,50	6,50	6,60	6,60	6,30	6,10	6,10	6,10	6,10
		Annual energy consumption	kWh/a	188	285	377	467	583	1.190	608	1.377	1.505
	Heating	Energy class	-	A+	A+	A+	A+	A+	A+	A+	A+	A+
		Design load (Pdesign)	kW	2,70	4,30	5,60	8,00	8,40	9,50	8,80	11,5	12,5
		SCOP	-	4,10	4,10	4,20	4,20	4,10	4,10	4,00	4,00	4,00
		Annual energy consumption	kWh/a	922	1.468	1.867	2.667	2.868	3.244	3.080	4.025	4.375
Warmer season	Energy class	-	A+++	A+++	A+++	A+++	A+++	A+++	A+++	A+++	A+++	
	SCOP	-	5,10	5,10	5,40	5,50	5,10	5,10	5,10	5,10	5,10	
Standard efficiency ²	EER	-	3,23	3,32	3,24	3,23	3,27	3,23	3,26	3,23	2,90	
	COP	-	3,74	3,72	3,99	3,91	3,73	3,80	3,75	3,72	3,53	

Indoor unit			IDA1-Y	35M	53M	70M	88M	105M	120M	105M	140M	160M
Code				62242512	62242514	62242516	62242520	62242518	62242517	62242518	62242515	62242519
Dimensions	Unit	L x D x H	mm	700x506x200	700x750x245	1000x750x245	1000x750x245	1200x750x245	1200x750x245	1200x750x245	1200x750x245	1200x750x300
	Packaging (Unit)	L x D x H	mm	860x540x285	925x850x298	1225x860x304	1225x860x304	1425x860x304	1425x860x304	1425x860x304	1425x860x304	1425x860x359
Weight	Unit / Packaging		kg	16,6/19,8	24,4/29	31,8/37,2	32,7/38,3	38,4/44,4	40,6/46,1	38,4/44,4	40,4/46,8	42,9/49,1
Air filter	Type		-	R/W	R/W	R/W	R/W	R/W	R/W	R/W	R/W	R/W
Air flow rate		Hi/Mid/Lo	m ³ /h	660/570/470	900/780/650	1200/1000/700	1500/1200/900	1700/1400/1100	2000/1700/1300	1700/1400/1100	2000/1700/1300	2200/1900/1500
External static pressure		Std (Min~Max)	Pa	25 (0÷100)	25 (0÷160)	25 (0÷160)	37 (0÷160)	37 (0÷160)	50 (0÷160)	37 (0÷160)	50 (0÷160)	50 (0÷160)
Sound power		Hi	dB(A)	52	53	56	60	62	62	62	64	66
Sound pressure level		Hi/Mid/Lo	dB(A)	35/33/31	37/34/31	34/33/31	39/37/35	38/36/33	39/37/36	38/36/33	46/44/42	45/43/42
Control systems	Infrared remote control		-	RG10A-D2S-BGEF								
	Settable temperature		°C	16÷30	16÷30	16÷30	16÷30	16÷30	16÷30	16÷30	16÷30	16÷30
Power supply	Voltage/Frequency/Phases		V/Hz/n°	230 / 50 / 1	230 / 50 / 1	230 / 50 / 1	230 / 50 / 1	230 / 50 / 1	230 / 50 / 1	230 / 50 / 1	230 / 50 / 1	230 / 50 / 1

¹ SEER and SCOP data, relative energy ratings and annual energy consumption in conformity to the EN 14825 standard measurement.

² EER/COP values declared only for tax deductions in force at the time this document was written
R/W = Removable/Washable

Test conditions:

according to EN14511 / EN12102

Cooling: indoor air temperature 27°C DB/19°C WB; outdoor air temperature 35°C DB/24°C WB;

Heating: indoor air temperature 20°C DB/15°C WB; outdoor air temperature 7°C DB/6°C WB.

Data declared according to UE 626/2011 delegated regulation

accessories

Standard

RG10A-D2S-BGEF Infrared remote control for CRISTALLO 2 / EZCool / BOX 2 / CONSOLE 3 / DUCT 3 / DUCT 2 / C&F 2 indoor units

Optionals

Control Systems (see dedicated section)

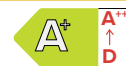
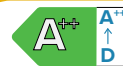
DUCT 2 35M ÷ 160M



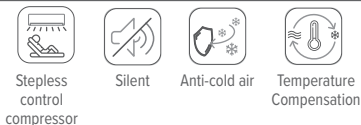
30 dB(A)



CONTROL SYSTEM
SPLIT VRF



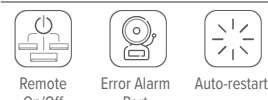
COMFORT



RELIABILITY



CONVENIENCE



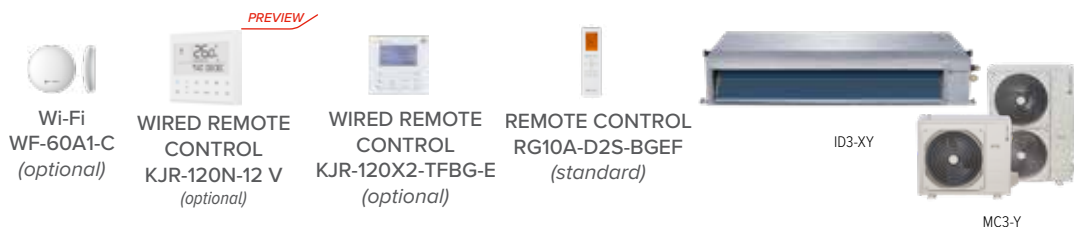
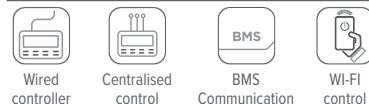
ENERGY SAVING



HEALTH



OPTIONAL



technical data

Set			35M	53M	70M	88M	105M	120M	105T	140T	160T	
Cooling capacity	Nominal (Min.=Max.)	Btu/h	12.000 (1.800÷13.600)	18.000 (8.700÷20.000)	24.000 (11.200÷27.800)	30.000 (7.600÷33.600)	36.000 (9.400÷38.000)	41.000 (10.000÷42.000)	36.000 (9.300÷40.200)	48.000 (12.000÷53.000)	52.000 (14.000÷59.000)	
	Nominal (Min.=Max.)	kW	3,52 (0,53÷4,00)	5,28 (2,55÷5,86)	7,03 (3,28÷8,16)	8,79 (2,23÷9,85)	10,6 (2,75÷11,1)	12,0 (2,93÷12,3)	10,6 (2,73÷11,8)	14,1 (3,52÷15,5)	15,2 (4,10÷17,3)	
Heating capacity	Nominal (Min.=Max.)	Btu/h	13.000 (3.400÷15.000)	19.000 (7.500÷21.000)	26.000 (9.600÷29.000)	32.000 (9.200÷34.200)	40.000 (9.500÷43.600)	46.000 (11.500÷48.000)	40.000 (9.500÷43.800)	55.000 (14.000÷62.000)	62.000 (15.000÷70.000)	
	Nominal (Min.=Max.)	kW	3,81 (1,00÷4,39)	5,57 (2,20÷6,15)	7,62 (2,81÷8,49)	9,38 (2,70÷10,0)	11,7 (2,78÷12,8)	13,5 (3,37÷14,1)	11,7 (2,78÷12,8)	16,1 (4,10÷18,2)	18,2 (4,40÷20,5)	
Standard power supply	Cooling	Nominal (Min.=Max.)	W	1.053 (155÷1.373)	1.530 (710÷2.150)	2.190 (750÷2.960)	2.500 (190÷3.050)	3.950 (900÷4.150)	4.200 (680÷4.500)	4.000 (890÷4.200)	5.250 (880÷6.000)	
	Heating	Nominal (Min.=Max.)	W	1.038 (302÷1.390)	1.510 (740÷1.760)	1.900 (640÷2.580)	2.250 (430÷2.450)	3.250 (800÷3.950)	3.450 (750÷4.100)	3.250 (780÷4.000)	4.500 (950÷5.700)	
Standard current input	Cooling	Nominal (Min.=Max.)	TO	4,75 (1,30÷6,09)	7,10 (3,20÷9,56)	10,2 (4,20÷13,2)	11,0 (2,00÷13,5)	17,5 (4,20÷18,5)	18,8 (3,10÷19,8)	6,50 (1,40÷6,70)	8,40 (1,90÷10,4)	
	Heating	Nominal (Min.=Max.)	TO	4,52 (1,48÷6,15)	6,80 (3,30÷7,70)	9,20 (3,80÷11,6)	10,0 (3,00÷10,7)	14,5 (3,50÷17,5)	15,5 (3,40÷18,3)	5,30 (1,30÷6,40)	8,00 (2,00÷9,80)	
Seasonal efficiency ¹	Cooling	Energy class	-	A++	A++	A++	A++	A++	A++	A++	A++	
		Design load (Pdesign)	kW	3,50	5,30	7,00	8,80	10,5	12,1	10,5	14,0	15,3
		SEER	-	6,10	6,10	6,10	6,10	6,10	6,10	6,10	6,10	6,10
	Heating	Annual energy consumption	kWh/a	197	291	401	474	593	700	608	811	900
		Energy class	-	A+	A+	A+	A+	A+	A+	A+	A+	A+
		Design load (Pdesign)	kW	2,60	4,30	5,40	8,00	8,40	9,50	8,80	11,5	12,5
Average season	SCOP	-	4,00	4,00	4,00	4,00	4,00	4,00	4,00	4,00	4,00	
Warmer season	Annual energy consumption	kWh/a	945	1.505	1.890	2.800	2.940	3.350	3.080	4.025	4.390	
Standard efficiency ²	EER	Energy class	-	A+++	A+++	A+++	A+++	A+++	A+++	A+++	A++	A+++
		SCOP	-	3,34	3,45	3,23	3,52	3,27	2,86	3,28	2,93	2,90
		COP	-	3,71	3,71	4,01	4,17	3,71	3,91	3,71	3,58	3,53

Indoor unit			ID3-XY	35M	53M	70M	88M	105M	120M	105M	140M	160M
Code				89092219	89132211	89102201	89112238	89112241	87032229	89112241	89112243	89092248
Dimensions	Unit	L x D x H	mm	700x450x200	880x600x210	1100x700x249	1360x700x249	1360x700x249	1200x800x300	1360x700x249	1200x800x300	1200x800x300
	Packaging (Unit)	L x D x H	mm	860x540x285	1070x725x280	1305x805x315	1570x805x330	1570x805x330	1405x915x365	1570x805x330	1405x915x365	1405x915x365
Weight	Unit / Packaging		kg	17,8/21,5	24,4/29,6	32,3/39,1	40,5/48,3	40,5/48,2	47,6/55,8	40,5/48,2	47,6/55,8	47,4/56,1
Air filter	Type		-	R/W	R/W	R/W	R/W	R/W	R/W	R/W	R/W	R/W
Air flow rate		Hi/Mid/Lo	m ³ /h	600/480/300	911/706/515	1229/1035/825	2100/1800/1500	2100/1800/1500	2400/2040/1680	2100/1800/1500	2400/2040/1680	2600/2210/1820
External static pressure		Std (Min~Max)	Pa	25 (0÷60)	25 (0÷100)	25 (0÷160)	37 (0÷160)	37 (0÷160)	50 (0÷160)	37 (0÷160)	50 (0÷160)	50 (0÷160)
Sound power		Hi	dB(A)	58	58	62	64	61	67	61	66	66
Sound pressure level		Hi/Mid/Lo	dB(A)	35/32/30	42/39/35	49/46/41	51/48/46	50/48/46	52/49/48	51/49/47	52/49/47	53/49/47
Control systems	Infrared remote control		-	RG10A-D2S-BGEF	RG10A-D2S-BGEF	RG10A-D2S-BGEF	RG10A-D2S-BGEF	RG10A-D2S-BGEF	RG10A-D2S-BGEF	RG10A-D2S-BGEF	RG10A-D2S-BGEF	RG10A-D2S-BGEF
	Settable temperature		°C	16÷30	16÷30	16÷30	16÷30	16÷30	16÷30	16÷30	16÷30	16÷30
Power supply	Voltage/Frequency/Phases	V/Hz/n°		230 / 50 / 1	230 / 50 / 1	230 / 50 / 1	230 / 50 / 1	230 / 50 / 1	230 / 50 / 1	230 / 50 / 1	230 / 50 / 1	230 / 50 / 1

¹ SEER and SCOP data, relative energy ratings and annual energy consumption in conformity to the EN 14825 standard measurement.

² EER/COP values declared only for tax deductions in force at the time this document was written
R/W = Removable/Washable

Test conditions:

according to EN14511 / EN12102

Cooling: indoor air temperature 27°C DB/19°C WB; outdoor air temperature 35°C DB/24°C WB;

Heating: indoor air temperature 20°C DB/15°C WB; outdoor air temperature 7°C DB/6°C WB.

Data declared according to UE 626/2011 delegated regulation

accessories

Standard

RG10A-D2S-BGEF Infrared remote control for CRISTALLO 2 / EZCool / BOX 2 / CONSOLE 3 / DUCT 3 / DUCT 2 / C&F 2 indoor units

Optionals

WF-60A1-C Smart port kit for the not hinwall indoor unit management via Wi-Fi (it includes adaptor and USB key)

Control Systems (see dedicated section)

CONSOLE 3 35M ÷ 53M



30 dB(A)



CONTROL SYSTEM
SPLIT VRF



COMFORT



Stepless Indoor Fan Speed



Anti-cold air



Temperature Compensation



Multidirectional airflow

RELIABILITY



Self-diagnosis Function



Emergency function

CONVENIENCE



Remote On/Off



Timer



Auto-restart

ENERGY SAVING



Sleep



Gear

OPTIONAL



Wired controller



Centralised control



BMS Communication



WiFi Control

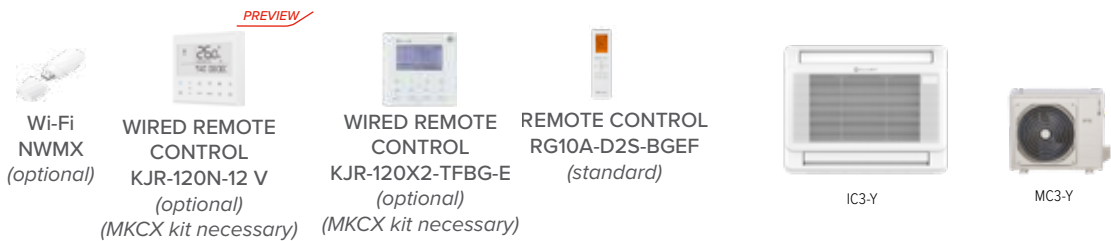
HEALTH



High Density filter



Cold Catalyst filter



technical data

Set				35M	53M
Cooling capacity	Nominal (Min.=Max.)	Btu/h		12.000 (2.600÷14.500)	17.000 (9.000÷19.000)
	Nominal (Min.=Max.)	kW		3,52 (0,76÷4,25)	4,98 (2,64÷5,57)
Heating capacity	Nominal (Min.=Max.)	Btu/h		13.000 (1.550÷16.000)	18.000 (7.500÷21.500)
	Nominal (Min.=Max.)	kW		3,81 (0,45÷4,69)	5,28 (2,20÷6,30)
Standard power supply	Cooling (Min.=Max.)	W		1.000 (170÷1.350)	1.500 (650÷1.950)
	Heating (Min.=Max.)	W		980 (150÷1.300)	1.420 (600÷1.900)
Rated current input	Cooling (Min.=Max.)	TO		4,52 (1,40÷5,90)	6,70 (2,95÷8,70)
	Heating (Min.=Max.)	TO		4,43 (1,25÷5,95)	6,40 (2,75÷8,50)
Seasonal efficiency ¹	Cooling	Energy class	-	A++	A++
		Design load (Pdesign)	kW	3,50	5,00
		SEER	-	7,30	6,70
		Annual energy consumption	kWh/a	168	261
	Average season	Energy class	-	A+	A+
		Design load (Pdesign)	kW	2,60	4,00
		SCOP	-	4,00	4,00
		Annual energy consumption	kWh/a	910	1.414
		Energy class	-	A+++	A++
		SCOP	-	5,50	5,00
Standard efficiency ²	EER	-	3,52	3,32	
	COP	-	3,89	3,72	

Indoor unit		IC3-Y		35M	53M
Code				89472266	89472269
Dimensions	Unit	L x D x H	mm	794x206x621	794x206x621
	Packaging (Unit)	L x D x H	mm	865x280x719	865x280x719
Weight	Unit / Packaging		kg	14,9/18,8	14,9/18,8
Air filter	Type			R/W	R/W
Airflow		Hi/Mi/Lo	m ³ /h	650/580/490	780/690/600
Sound power		Hi	dB(A)	54	55
Sound pressure level		Hi/Mid/Lo	dB(A)	37/34/27	41/38/32
Control systems	Infrared remote control			RG10A-D2S-BGEF	RG10A-D2S-BGEF
	Settable temperature		°C	16÷30	16÷30
Power supply	Voltage/Frequency/Phases		V/Hz/n°	230 / 50 / 1	230 / 50 / 1

¹ SEER and SCOP data, relative energy ratings and annual energy consumption in conformity to the EN 14825 standard measurement.

² EER/COP values declared only for tax deductions in force at the time this document was written
R/W = Removable/Washable

Test conditions:

according to EN14511 / EN12102

Cooling: indoor air temperature 27°C DB/19°C WB; outdoor air temperature 35°C DB/24°C WB;

Heating: indoor air temperature 20°C DB/15°C WB; outdoor air temperature 7°C DB/6°C WB.

Data declared according to UE 626/2011 delegated regulation

accessories

Standard	
RG10A-D2S-BGEF	Infrared remote control for CRISTALLO 2 / EZCool / BOX 2 / CONSOLE 3 / DUCT 3 / DUCT 2 / C&F 2 indoor units
Optionals	
NWMX	Wi-fi kit for indoor units
MKCX	Multifunction board that makes the indoor unit available for Remote ON / OFF, Alarm port and XYE Port (required for connection of Wired controller, Centralized wired controller, Data Converter, BMS Gateway) <i>The ON-OFF/Alarm/XYE/Wi-Fi port functions can be used simultaneously</i>
Control Systems	(see dedicated section)

CEILING & FLOOR 2 53M ÷ 160M



27 dB(A)



CONTROL SYSTEM



COMFORT



Stepless control compressor



Silent



Anti-cold air



Multi-directional Airflow



Temperature Compensation

RELIABILITY



Self-diagnosis Function



Emergency Function



Auto Defrosting



Opposite fan rotation

CONVENIENCE



Remote On/Off



Error Alarm Port



Auto Restart

ENERGY SAVING



Sleep



Gear

HEALTH



Fresh Air



i-Clean

OPTIONAL



Wired controller



Centralised control



BMS Communication



Wi-Fi control



Wi-Fi WF-60A1-C (optional)



PREVIEW
WIRED REMOTE CONTROL KJR-120N-12 V (optional)



WIRED REMOTE CONTROL KJR-120X2-TFBG-E (optional)



REMOTE CONTROL RG10A-D2S-BGEF (standard)



IF3-XY



MC3-Y

technical data

Set			53M	70M	105M	105T	140T	160T		
Cooling capacity	Nominal (Min.=Max.)	Btu/h	18.000 (9.250÷20.000)	24.000 (11.000÷26.500)	36.000 (9.300÷39.000)	36.000 (9.300÷40.200)	48.000 (12.000÷52.000)	54.000 (14.000÷57.000)		
	Nominal (Min.=Max.)	kW	5,28 (2,71÷5,86)	7,03 (3,22÷7,77)	10,6 (2,73÷11,4)	10,6 (2,73÷11,8)	14,1 (3,52÷15,2)	15,8 (4,10÷16,7)		
Heating capacity	Nominal (Min.=Max.)	Btu/h	19.000 (8.300÷21.500)	26.000 (9.300÷28.300)	40.000 (9.600÷43.600)	40.000 (9.500÷43.600)	55.000 (14.000÷58.000)	62.000 (15.000÷67.000)		
	Nominal (Min.=Max.)	kW	5,57 (2,42÷6,30)	7,62 (2,72÷8,29)	11,7 (2,78÷12,8)	11,7 (2,81÷12,8)	16,1 (4,10÷17,0)	18,2 (4,40÷19,6)		
Standard power supply	Cooling	Nominal (Min.=Max.)	W	1.450 (670÷2.030)	2.300 (747÷2.930)	3.900 (900÷4.250)	4.000 (890÷4.300)	5.000 (900÷5.950)	5.650 (1.100÷6.650)	
	Heating	Nominal (Min.=Max.)	W	1.500 (540÷1.640)	2.050 (650÷2.850)	3.350 (800÷3.950)	3.350 (780÷3.950)	5.100 (1.000÷6.050)	6.050 (1.050÷7.100)	
Standard current input	Cooling	Nominal (Min.=Max.)	TO	6,0 (3,20÷9,00)	10,5 (3,90÷13,1)	17,0 (4,20÷19,0)	6,3 (1,40÷6,80)	8,8 (1,90÷10,3)	9,70 (3,20÷11,5)	
	Heating	Nominal (Min.=Max.)	TO	6,6 (2,70÷7,30)	9,5 (3,50÷12,7)	15,0 (3,5~17,5)	5,4 (1,30÷6,20)	8,9 (2,10÷10,5)	10,5 (2,20÷12,0)	
Seasonal efficiency ¹	Cooling	Energy class	-	A++	A++	A++	A++	A++	A++	
		Design load (Pdesign)	kW	5,30	7,00	10,5	10,5	14,0	15,5	
	Annual energy consumption	SEER	-	6,10	6,10	6,10	6,10	6,10	6,10	
		Annual energy consumption	kWh/a	305	413	592	574	809	890	
	Heating Average season	Energy class	-	A+	A+	A+	A+	A+	A+	
		Design load (Pdesign)	kW	4,00	5,40	8,60	8,60	11,2	11,9	
	Heating Warmer season	SCOP	-	4,00	4,00	4,00	4,00	4,00	4,00	
		Annual energy consumption	kWh/a	1.400	1.925	3.010	2.937	4.079	4.150	
	Standard efficiency ²	EER	Energy class	-	A+++	A+++	A+++	A+++	A+++	A+++
			SCOP	-	5,10	5,10	5,10	5,10	5,10	5,10
COP	EER	-	3,64	3,30	3,25	3,31	2,81	2,75		
	COP	-	3,71	3,72	3,80	3,87	3,16	3,00		

¹ SEER and SCOP data, relative energy ratings and annual energy consumption in conformity to the EN 14825 standard measurement.

² EER/COP values declared only for tax deductions in force at the time this document was written
R/W = Removable/Washable

Test conditions:

according to EN14511 / EN12102

Cooling: indoor air temperature 27°C DB/19°C WB; outdoor air temperature 35°C DB/24°C WB;

Heating: indoor air temperature 20°C DB/15°C WB; outdoor air temperature 7°C DB/6°C WB.

Data declared according to UE 626/2011 delegated regulation

technical data

Set			53M	70M	105M	
Cooling capacity	Nominal (Min.÷Max.)	Btu/h	23.200 (11.000÷27.100)	41.300 (12.000÷52.000)	52.000 (14.000÷55.000)	
	Nominal (Min.÷Max.)	kW	6,80 (3,22÷7,95)	12,1 (3,52÷15,2)	15,2 (4,10÷16,1)	
Heating capacity	Nominal (Min.÷Max.)	Btu/h	26.000 (9.300÷29.000)	43.700 (14.000÷60.000)	62.000 (15.000÷66.000)	
	Nominal (Min.÷Max.)	kW	7,62 (2,72÷8,50)	12,8 (4,10÷17,6)	18,2 (4,40÷19,4)	
Standard power supply	Cooling	Nominal (Min.÷Max.)	W	2.060 (750÷2.730)	3.750 (900÷6.200)	5.900 (1.100÷6.500)
	Heating	Nominal (Min.÷Max.)	W	1.080 (650÷2.940)	3.450 (950÷6.000)	5.950 (1.120÷6.350)
Standard current input	Cooling	Nominal (Min.÷Max.)	TO	9,04 (3,90÷12,1)	5,69 (2,10÷9,60)	8,90 (3,10÷10,8)
	Heating	Nominal (Min.÷Max.)	TO	8,70 (3,50÷10,6)	5,32 (2,20÷9,20)	9,10 (3,10÷10,5)
Seasonal efficiency ¹	Cooling	Energy class	-	A++	A++	A++
		Design load (Pdesign)	kW	7,10	14,0	15,3
		SEER	-	6,30	6,10	6,10
		Annual energy consumption	kWh/a	394	1.377	1.505
	Heating	Energy class	-	A+	A+	A+
		Design load (Pdesign)	kW	5,90	11,2	11,8
		SCOP	-	4,10	4,00	4,00
		Annual energy consumption	kWh/a	2.015	4.079	4.130
	Average season	Heating	Energy class	-	A+++	A+++
		Warmer season	SCOP	-	5,40	5,10
Standard efficiency ²	EER	-	3,30	3,23	2,58	
	COP	-	3,85	3,71	3,05	

Indoor unit				IF3-XY	53M	70M	105M	105M	140M	160M
Code				89092229	89092237	89102266	89102266	89092259	89112228	
Dimensions	Unit	L x D x H	mm	1068x675x235	1068x675x235	1650x675x235	1650x675x235	1650x675x235	1650x675x235	
	Packaging (Unit)	L x D x H	mm	1145x755x318	1145x755x318	1725x755x318	1725x755x318	1725x755x318	1725x755x318	
Weight	Unit / Packaging		kg	28,0/33,3	28,0/33,1	41,5/48,0	41,5/48,0	41,7/48,5	42,3/49,2	
Air filter	Type		-	R/W	R/W	R/W	R/W	R/W	R/W	
Airflow		Hi/Mid/Lo	m³/h	958/839/723	1192/1023/853	1955/1728/1504	1955/1728/1504	2100/1850/1600	2200/1950/1650	
Sound power		Hi	dB(A)	59	55	65	65	67	67	
Sound pressure level		Hi/Mid/Lo	dB(A)	44/41/37	51/47/43	51/48/45	52/48/45	53/50/46	55/52/48	
Control systems	Infrared remote control		-	RG10A-D2S-BGEF	RG10A-D2S-BGEF	RG10A-D2S-BGEF	RG10A-D2S-BGEF	RG10A-D2S-BGEF	RG10A-D2S-BGEF	
	Settable temperature		°C	16÷30	16÷30	16÷30	16÷30	16÷30	16÷30	
Power supply	Voltage/Frequency/Phases		V/Hz/n°	230 / 50 / 1	230 / 50 / 1	230 / 50 / 1	230 / 50 / 1	230 / 50 / 1	230 / 50 / 1	

¹ SEER and SCOP data, relative energy ratings and annual energy consumption in conformity to the EN 14825 standard measurement.

² EER/COP values declared only for tax deductions in force at the time this document was written
R/W = Removable/Washable

Test conditions:

according to EN14511 / EN12102

Cooling: indoor air temperature 27°C DB/19°C WB; outdoor air temperature 35°C DB/24°C WB;
Heating: indoor air temperature 20°C DB/15°C WB; outdoor air temperature 7°C DB/6°C WB.

accessories

Standard	
RG10A-D2S-BGEF	Infrared remote control for CRISTALLO 2 / EZCool / BOX 2 / CONSOLE 3 / DUCT 3 / DUCT 2 / C&F 2 indoor units
Optionals	
WF-60A1-C	Smart port kit for the not hinwall indoor unit management via Wi-Fi (it includes adaptor and USB key)
Control Systems	(see dedicated section)

ACCESSORIES AND CONTROL SYSTEMS



BMS integration: welcome CONTROL4 NRG

All models with an XYE port - and also with the special Multifunction Kit - are now compatible with the new Gateways for single units, which enable perfect integration of DX SPLIT systems within the CONTROL4 NRG system, the beating heart of Clivet Smart Living.

CONTROL4 NRG enables the intelligent management of up to 24 independent comfort areas, ensuring precise and optimised climate control for each one. In addition, Clivet air conditioners can now be integrated and controlled, providing a higher level of efficiency and flexibility.

Thanks to this evolution, comfort and energy consumption can be optimised in every room, centralising the supervision of the entire system.

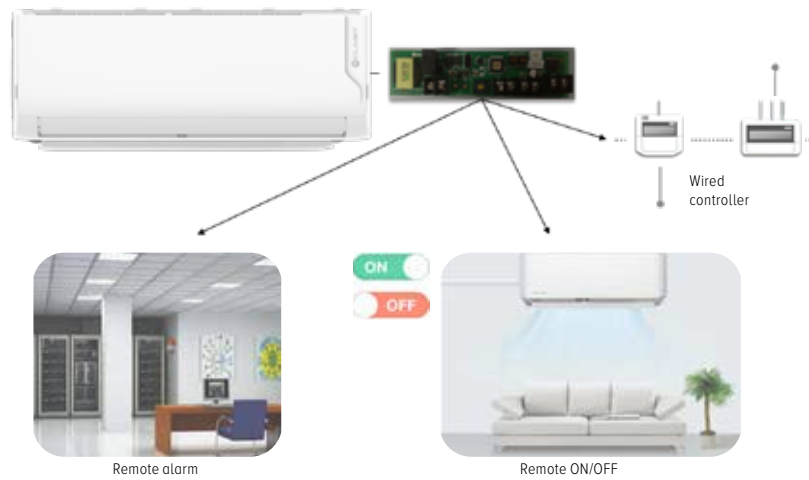
The new Gateways support Modbus, KNX and BACnet communication protocols, among the most widely used in the world of Building Management Systems (BMS). This versatility ensures high compatibility and smooth integration even in third-party supervision systems.

ACCESSORIES AND CONTROL SYSTEMS

Multifunction Kit

The multi-function kits offer several options for managing SPLIT systems. More specifically, they include an XYE communication port, which is used to connect:

- ▶ Wired remote control for single unit (KRJ-120X1-TFBG-E / KRJ-120X2-TFBG-E) and group controls KJR-120-N-12V
- ▶ Wired centralisers (CCM-180A/WS / CCM-270A/WS)
- ▶ Communication systems based on the following protocols: Modbus, LonWorks and BACnet (IMMP-BAC(A), CCM-18A/N(A)).



	REMOTE ON/OFF	REMOTE ALARM	XYE PORT (COMMUNICATION)	CONTEMPORARY MANAGEMENT TO WI-FI
MBLCX (STELVIO)	●	●	●	●
MKSS2X (CERVINO - CRISTALLO 2)	●	●	●	●
MKCX (CONSOLE 3)	●	●	●	●

Note: ● = all the functions can be used simultaneously

ACCESSORIES AND CONTROL SYSTEMS

Individual control systems

RG10A-D2S-BGEF

Standard remote control for CRISTALLO 2 / EZCool / BOX 2 / CONSOLE 3 / DUCT 3 / DUCT 2 / C&F 2 units, with special features:

- ▶ ON/OFF - Operating mode - Temperature set-point - Fan speed - Louver direction
- ▶ Timer: allows for setting a countdown to switch the air conditioning unit on / off
- ▶ Follow Me: adjusts the air conditioning unit according to the temperature detected by the remote controller sensor
- ▶ Do Not Disturb (LED): deactivates the luminous display and buzzers of the air conditioning unit
- ▶ Self-cleaning: performs a cleaning cycle of the air conditioning unit's battery
- ▶ Turbo: conditions the air inside the room rapidly
- ▶ Management of the constant flow rate function for ductable indoor units
- ▶ Fan setting with speed changes of up to 1%
- ▶ Breeze away function (for some models only)
- ▶ ECO / Gear function



RG10N2-D2S-BGEF

Standard remote control for 4-WAY COMPACT CASSETTE units, with special features:

- ▶ ON/OFF - Operating mode - Temperature set-point - Fan speed - Louver direction
- ▶ Timer: allows for setting a countdown to switch the air conditioning unit on / off
- ▶ Follow Me: adjusts the air conditioning unit according to the temperature detected by the remote controller sensor
- ▶ Do Not Disturb (LED): deactivates the luminous display and buzzers of the air conditioning unit
- ▶ Self-cleaning: performs a cleaning cycle of the air conditioning unit's battery
- ▶ Fan setting with speed changes of up to 1%
- ▶ ECO / Gear function



RG10P1-G2HS-BGEF

Standard remote control for STELVIO units, with special features:

- ▶ Temperature set-point with precision up to 0.5°C
- ▶ Fan setting with speed changes of up to 1%
- ▶ Activation / deactivation of the functions linked to the “Intelligent Eye” sensor
- ▶ Humidity management in 5% intervals
- ▶ ECO / Gear function



KJR-120-N-12V

Advanced two-way wired controller with display, with standard remote control characteristics and these special features:

- ▶ Displays the room temperature
- ▶ Displays clock
- ▶ Management of the constant flow rate function for ductable indoor units
- ▶ Weekly scheduler (up to 8 ON/OFF, mode, temperature, ventilation settings/day)
- ▶ DAY OFF mode
- ▶ Settable set-point limitation
- ▶ Mode change lock
- ▶ Integrated remote control receiver
- ▶ Possibility of overriding the remote controller
- ▶ Integrated Wi-Fi
- ▶ Control of individual louvers on box unit
- ▶ Functions with 2-pin connection: Rotation and Backup, Dual Control and Group Control (up to 16 units)



KJR-120X1-TFBG-E / KJR-120X2-TFBG-E

One-way wired controller with display, with standard remote control characteristics and these special features:

- ▶ Displays the room temperature
- ▶ Displays clock
- ▶ Management of the constant flow rate function for ductable indoor units
- ▶ Weekly scheduler (up to 8 settings/day of ON/OFF, mode, temperature, ventilation)
- ▶ Settable set-point limitation
- ▶ Mode change lock
- ▶ Integrated remote control receiver
- ▶ Control of individual louvers on box unit



Kit Wi-Fi

Thanks to the Wi-Fi kit and the app compatible with iOS and Android systems, the operation of the air conditioning units can be controlled in any situation using either the remote controller or directly from a smartphone. Moreover, the app is designed to offer even more functions and enhanced ease of use.

Note: the kit is supplied standard on CERVINO, STELVIO and CRISTALLO 2



Note: To connect the Wi-Fi to the IDU that is not wall-mounted - 4-WAY COMPACT CASSETTE excluding.

The Wi-Fi Kit is an option for Console (CONSOLE 3 USB only), Ductable (DUCT 2), Box (BOX 2) and Ceiling & Floor (CEILING&FLOOR 2) units using dedicated adapters:



WF-60A1-C



KFR-120Q-EDFJB-B



The connection of the WF-601-C accessory excludes the possibility of using the XYE communication port (the remote ON/OFF function instead remains available).

The standard wire control can be used regularly by connecting it to the unit through the door in the WF-60A1-C accessory.



SLEEP FUNCTION

Energy saving by setting a night-time temperature profile.



AUTO-CHECK

Monitoring of the air conditioning unit's operating status. Visualisation of any anomaly codes.

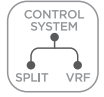


WEEKLY SCHEDULE CONTROL

Setting of scheduled on / off functions during the week.



ACCESSORIES AND CONTROL SYSTEMS



Control systems for groups of units (SPLIT / VRF)

The control systems for groups of units allow for creating networks of SPLIT and VRF indoor units, also belonging to different systems.

Note: further functions are available with the VRF range

KJR-150A

Remote controller for groups of indoor units, allows for managing the basic functions of up to 16 indoor units:

- ▶ ON/OFF
- ▶ Operating mode
- ▶ Temperature set-point
- ▶ Automatic swinging of the slats
- ▶ Fan speed



Note: The accessory works in combination with one of the IDUs' standard remote controls.

It is not possible to operate the accessory with a remote control.

Not compatible with KJR-120X1-TFBG-E and KJR-120X2-TFBG-E

CCM09 *(to exhaustion)*

Remote controller of a group (max. 64 units) or single units, allows for managing:

- ▶ ON/OFF - operating mode - temperature set-point - fan speed – automatic flaps oscillation
- ▶ Management of single unit / all units



ACCESSORIES and CONTROL SYSTEMS



CCM-180A/WS

Group control (max. 64) or individual units with 6.2" touchscreen display, allows you to manage:

- ▶ ON/OFF - operating mode - temperature set-point - fan speed - automatic flaps oscillation
- ▶ Management of single unit / all units
- ▶ Daily / weekly / annual scheduler (ON/OFF - operation mode - temperature set - fan speed - automatic fins oscillation)

Note: not compatible with mixed SPLIT / VRF systems



Only with VRF:

- ▶ Advanced energy management settings
- ▶ Unit error check
- ▶ Locking of single controllers
- ▶ Visualisation of function parameters
- ▶ Alarm visualisation

Note: the individual controllers can be used normally for managing the units.

CCM-270A/WS

Group control (max. 384) or individual units with 10.1" touchscreen display:

- ▶ ON/OFF - operating mode - temperature set-point - fan speed – automatic flaps oscillation
- ▶ Management of single unit / all units
- ▶ Daily / weekly / annual scheduler (ON/OFF - operation mode - temperature set - fan speed - automatic fins oscillation)
- ▶ Visualization of building plans
- ▶ Connectable via LAN
- ▶ Ideal for the management of mixed SPLIT / VRF systems



It is necessary to have one connection port exclusively for SPLIT products.

Only with VRF:

- ▶ Advanced energy management settings
- ▶ Unit error check
- ▶ Locking of single controllers
- ▶ Visualisation of function parameters
- ▶ Alarm visualisation









Note: the individual controllers can be used normally for managing the units.

Communication with BMS management systems






SPLIT systems can be managed with the latest home and building automation technologies, using automation systems to coordinate them with all the other systems in the building (illumination, security systems, household appliances, etc.) and optimise energy consumption. The protocols that can be managed and their relative characteristics are specified below:

Protocol			
	IMODG1X	IBACG1X	IKNXG1X
Max. no. of connectible units	1	1	1
Management of basic functions (ON/OFF - Operating mode - Fan speed)	●	●	●
Reading of unit parameters	●	●	●




ACCESSORIES

TYPE	APPARENCE	Model	ARTICLE CODE	DESCRIPTION	COMPATIBLE SERIES
Multifunction Kit		MBLCX	87022242	Multifunction board that makes the indoor unit available for Remote ON / OFF, Alarm port and XYE Port (required for connection of Wired controller, Centralized wired controller, Data Converter, BMS Gateway) The ON-OFF/Alarm/XYE/Wi-Fi port functions can be used simultaneously	STELVIO IH2-Y
		MKSS2X	89702342	Multifunction board that makes the indoor unit available for Remote ON / OFF, Alarm port and XYE Port (required for connection of Wired controller, Centralized wired controller, Data Converter, BMS Gateway) The ON-OFF/Alarm/XYE/Wi-Fi port functions can be used simultaneously	CERVINO IEA1-P CRISTALLO 2 IMA1-Y
		^{PREVIEW} MKSS2X	74382577	Multifunction board that makes the indoor unit available for Remote ON / OFF, Alarm port and XYE Port (required for connection of Wired controller, Centralized wired controller, Data Converter, BMS Gateway) The ON-OFF/Alarm/XYE/Wi-Fi port functions can be used simultaneously	CERVINO IEA1-P CRISTALLO 2 IMA1-Y
		MKCX	90252203	Multifunction board that makes the indoor unit available for Remote ON / OFF, Alarm port and XYE Port (required for connection of Wired controller, Centralized wired controller, Data Converter, BMS Gateway)	CONSOLE 3 IC3-Y
Kit Wi-Fi		NWMX	89142201	Wi-Fi kit for indoor units	All series except: DUCT 3 IDA1-Y
		WF-60A1-C	89132263	Smart port kit for not hiwall indoor unit management via Wi-Fi (includes adapter and USB key) - 2022 version	DUCT 2 ID3-XY BOX 2 650x650 IB3-XY CEILING & FLOOR 2 IF3-XY
		KFR-120Q-EDFJB-B	89132252	Adapter for connecting indoor units Box 2 950x950 to the Wi-Fi kit (includes adapter and USB key)	BOX 2 950x950 IA3-XY
Kit connection kit for TWIN system		FQZHN-01D	87002254	Branch Joint kit for LCAC TWIN systems	TWIN SYSTEM

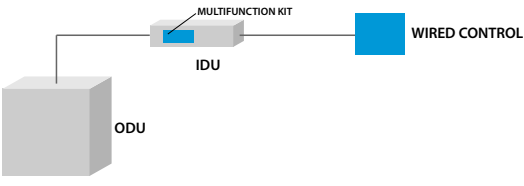
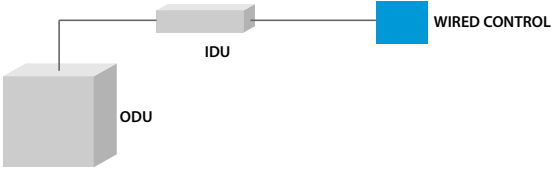
CONTROL SYSTEMS

TYPE	APPARENCE	Model	ARTICLE CODE	DESCRIPTION	COMPATIBLE SERIES
Infrared remote control		RG10P1-G2HS-BGEF	-	Wireless remote controller for STELVIO indoor units of 2025 lineup	STELVIO: IH2-Y
		RG10A-D2S-BGEF	-	Wireless remote controller for CRISTALLO 2 / EZCOOL / DUCT 3 / DUCT 2 / BOX 2 / C&F 2 indoor units of 2025 lineup	CERVINO: IEA1-P CRISTALLO 2: IMA1-Y EZCOOL: ILA1-Y BOX 2: IB3-XY / IA3-XY DUCT 3: IDA1-Y DUCT 2: ID3-XY CONSOLE 3: IC3-Y CEILING & FLOOR 2: IF3-XY
		RG10N2-D2S-BGEF	-	Wireless remote controller for 4-WAY COMPACT CASSETTE indoor units of 2025 lineup	CASSETTE COMPATTE 4-VIE: IBA1-Y
Wired control for single unit		KJR-120X1-TFBG-E	87022244	Dual-way wired controller with weekly scheduler for hiwall indoor units	STELVIO: IH2-Y
		KJR-120X2-TFBG-E	87032231	Dual-way wired controller with weekly scheduler for hiwall indoor units	CERVINO: IEA1-P CRISTALLO 2: IMA1-Y CONSOLE 3: IC3-Y DUCT 2: ID3-XY BOX 2: IB3-XY / IA3-XY CEILING & FLOOR 2: IF3-XY
Group management		PREVIEW KJR-120N-12V	-	Advanced two-way wired controller with weekly scheduler and integrated Wi-Fi 2-pin connection only compatible with IBA1-Y and IDA1-Y (Also compatible for single unit control)	CERVINO: IEA1-P CRISTALLO 2: IMA1-Y CASSETTE COMPATTE 4-VIE: IDA1-Y BOX 2: IB3-XY / IA3-XY CONSOLE 3: IC3-Y DUCT 3: IDA1-Y DUCT 2: ID3-XY CEILING & FLOOR 2: IF3-XY

CONTROL SYSTEMS

TYPE	APPARENCE	Model	ARTICLE CODE	DESCRIPTION	COMPATIBLE SERIES
Centralizer		KJR-150A	89132262	Control interface for group of indoor units, up to 16 indoor units Not compatible with KJR-120X1-TFBG-E e KJR-120X2-TFBG-E	All series except: CERVINO : IEA1-P CRISTALLO 2 : IMA1-Y CONSOLE 3 : IC3-Y EZCOOL : ILA1-Y
		CCM09 <i>to exhaustion</i>	89162202	Wired centralizer with weekly scheduler, up to 64 indoor units	
		CCM-180A/WS	87012209	Wired centralizer with 6.2" touchscreen display with weekly scheduler, up to 64 indoor units	
		CCM-270A/WS	87022268	Wired centralizer with 10.1" touchscreen display with weekly scheduler, LAN port, up to 384 indoor units. Compatible for mixed systems VRF + SPLIT	
Gateway BMS		LonGW64 <i>ato exhaustion</i>	89152293	LonWorks Gateway, up to 64 indoor units	All series except: EZCOOL : ILA1-Y
		IMMP-BAC(A)	88082212	BACnet Gateway, up to 256 indoor unit	
		IMODG1X	91152491	Modbus Gateway, for single indoor unit (Intesis)	
		IKNXG1X	91152492	KNX Gateway, for single indoor unit (Intesis)	
		IBACG1X	91152493	BACnet Gateway, for single indoor unit (Intesis)	

ACCESSORIES & CONTROL SYSTEMS COMBINATIONS

TYPE	CONNECTION SCHEME	COMPATIBLE SERIES
Wired control for single unit		STELVIO IH2-Y CRISTALLO 2 IMA1-Y (MKSS2X) CERVINO IEA1-P (MKSS2X) CONSOLE 3 IC3-Y (MKCX)
	Required accessories	Multifunction board Wired control
Wired control for single unit		DUCT 3 IDA1-Y DUCT 2 ID3-XY CASSETTE COMPATTE 4-VIE IBA1-Y BOX 2 IB3-XY IA3-XY CEILING & FLOOR 2 IF3-XY
	Required accessories	Wired control

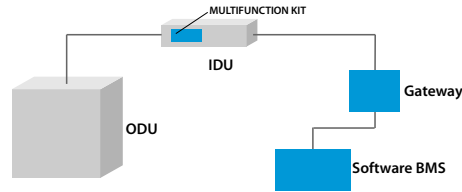
ACCESSORIES & CONTROL SYSTEMS COMBINATIONS

TYPE	CONNECTION SCHEME	COMPATIBLE SERIES
Centralized controller or Control via Cloud (App or Web Server)		STELVIO IH2-Y (MBLCX)
	Required accessories Multifunction kit Centralizer Data converter	
-		DUCT 3 IDA1-Y DUCT 2 ID3-XY CASSETTE COMPATTE 4-VIE IBA1-Y BOX 2 IB3-XY IA3-XY CEILING & FLOOR 2 IF3-XY
	Required accessories Centralizer Data converter	
Wi-Fi		DUCT 2 ID3-XY BOX 2 650x650 IB3-XY CEILING & FLOOR 2 IF3-XY
	Required accessories Smart port kit	
Wi-Fi		BOX 2 950x950 IA3-XY
	Required accessories Smart port kit	

ACCESSORIES & CONTROL SYSTEMS COMBINATIONS

TYPE CONNECTION SCHEME COMPATIBLE SERIES

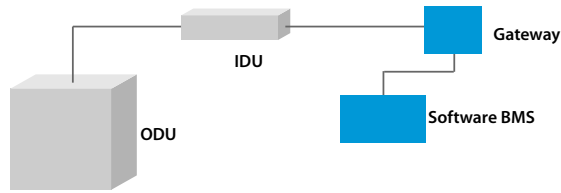
management
BMS



STELVIO
IH2-Y
(MBCX)

**Accessories
Required**

Multifunction board
Gateway
Software BMS



DUCT 3
IDA1-Y
DUCT 2
ID3-XY
CASSETTE COMPATTE 4-VIE
IBA1-Y
BOX 2
IB3-XY
IA3-XY
CEILING & FLOOR 2
IF3-XY

**Accessories
Required**

Gateway
Software BMS

COMPATIBILITY TABLE OF INDOOR / OUTDOOR UNIT

		STELVIO	SCHIARA 2	CERVINO	CRISTALLO
		MH2-Y	MEA1-P	MM2-Y	MMA1-Y
STELVIO	IH2-Y	●	-	-	-
CERVINO	IEA1-P	-	●	-	-
CRISTALLO	IM2-XY	-	-	●	-
CRISTALLO 2	IMA1-Y	-	-	-	●
EZCool	ILA1-Y	-	-	-	-
Compact 4-way cassette	IBA1-Y	-	-	-	-
BOX 2 650X650	IB3-XY	-	-	-	-
BOX 2 950x950	IA3-XY	-	-	-	-
DUCT 3	IDA1-Y	-	-	-	-
DUCT 2	ID3-XY	-	-	-	-
CONSOLE	IC3-Y	-	-	-	-
C&F	IF3-XY	-	-	-	-
STANDING	IS3-XY	-	-	-	-

EZCOOL

ODU-SL 2

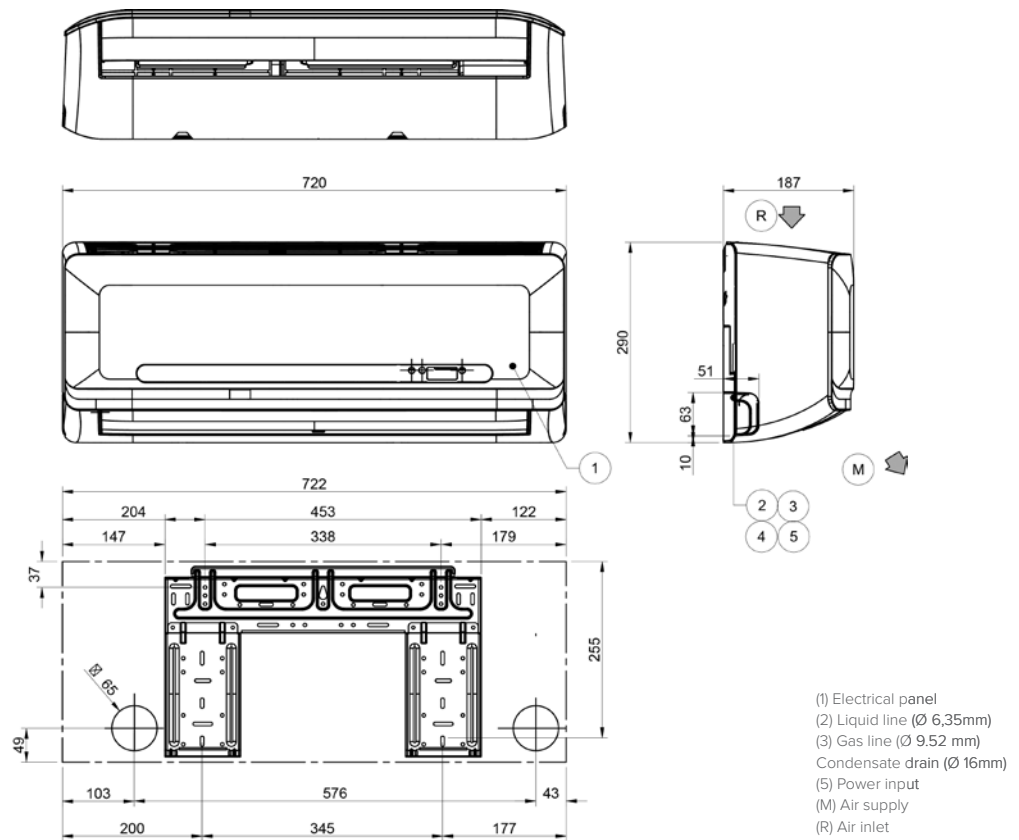
MLA1-Y	MU2-Y	MC3-Y	MC4-Y
-	-	-	-
-	-	-	-
-	●	-	-
-	●	-	-
●	●	-	-
-	●	● (NO 27M)	-
-	●	● (NO 27M)	-
-	-	●	●
-	● (27M-70M)	● (NO 27M-70M-88M-140T-160T)	●
-	● (27M-70M)	● (NO 27M)	-
-	●	● (NO 27M)	-
-	●	●	●
-	-	●	-

DIMENSIONAL DRAWINGS

SINGLE Split

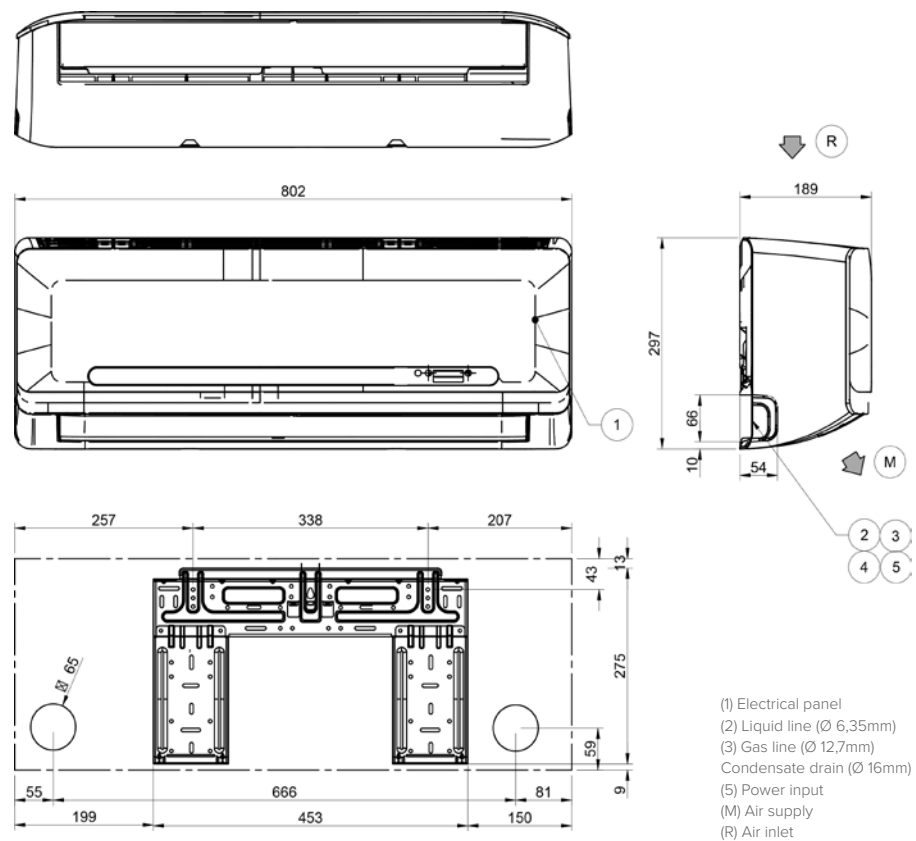
CERVINO - Unità interna

IM2-XY 27M



CERVINO - Unità interna

IM2-XY 35M

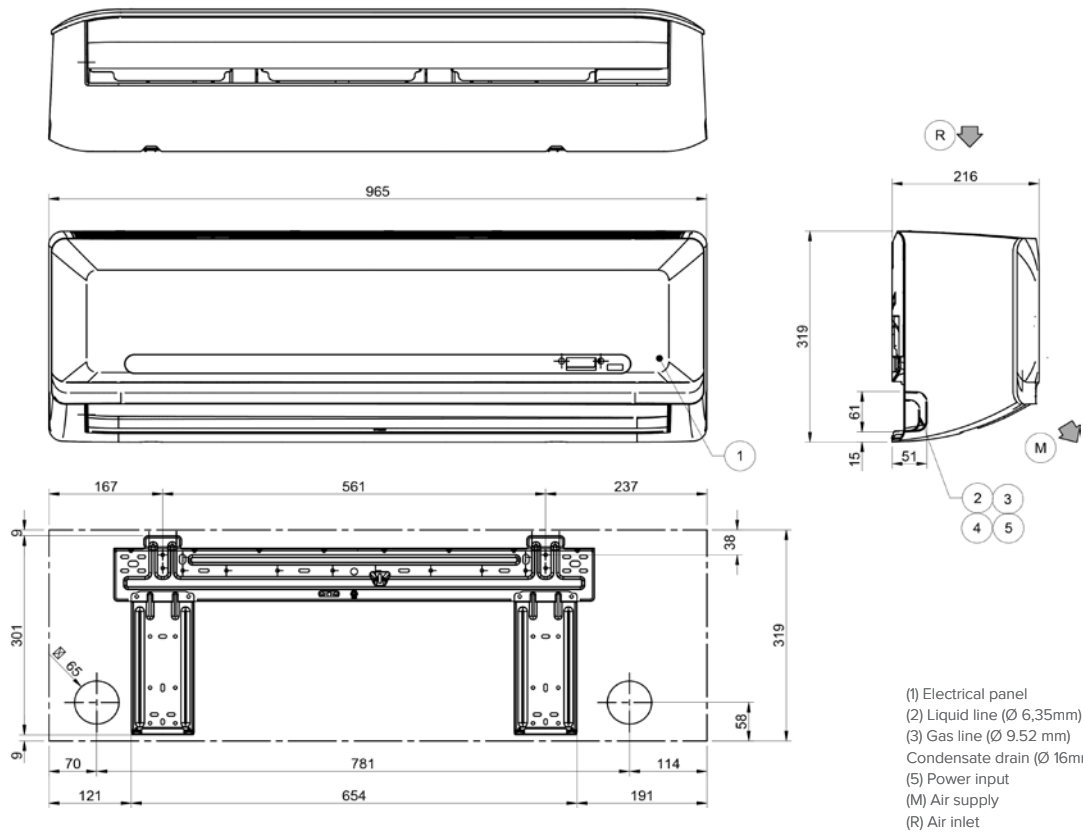


Unit of measurement: mm

DIMENSIONAL DRAWINGS

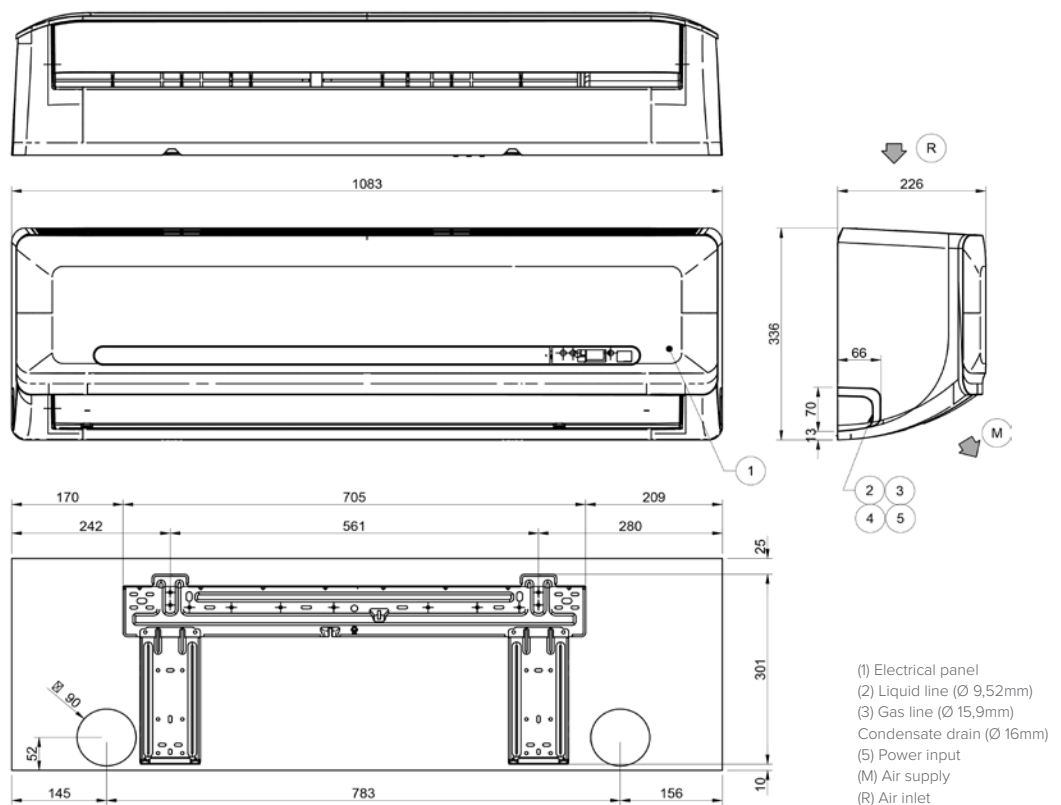
CERVINO - Indoor unit

IM2-XY 53M



CERVINO - Indoor unit

IM2-XY 70M

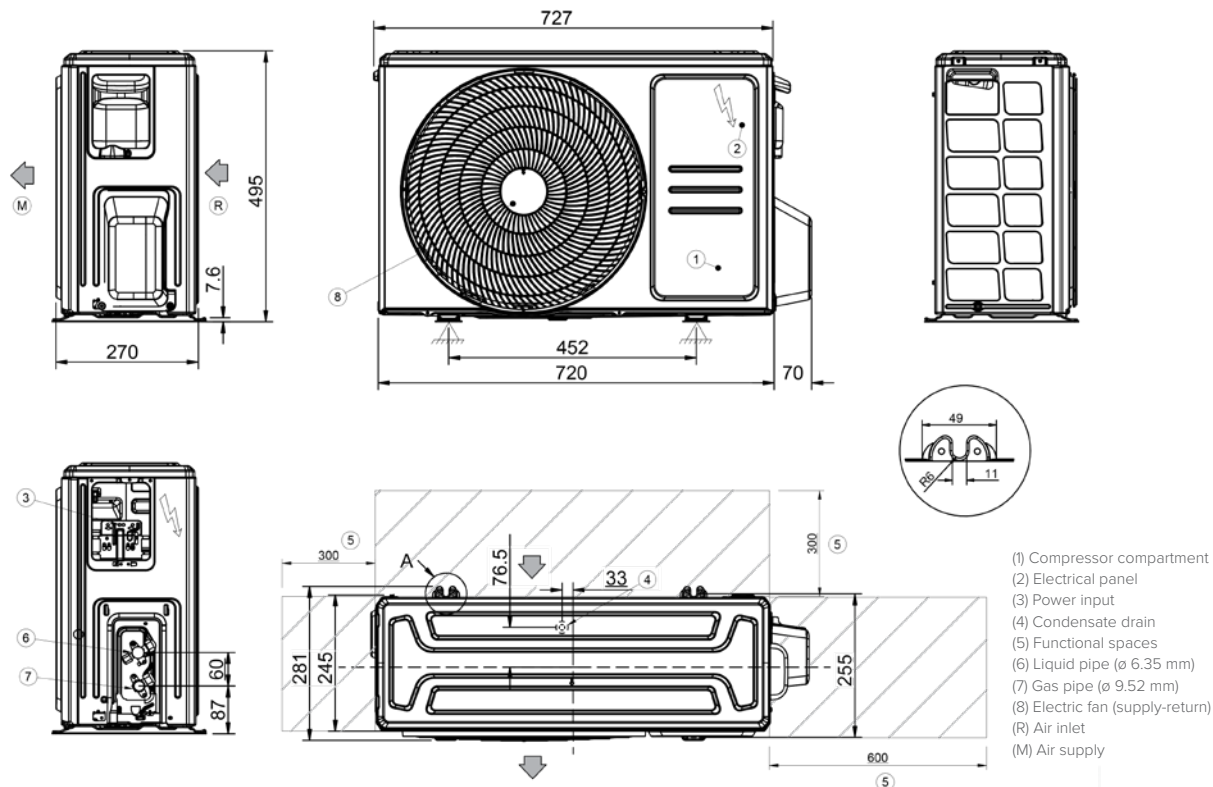


Unit of measurement: mm

DIMENSIONAL DRAWINGS

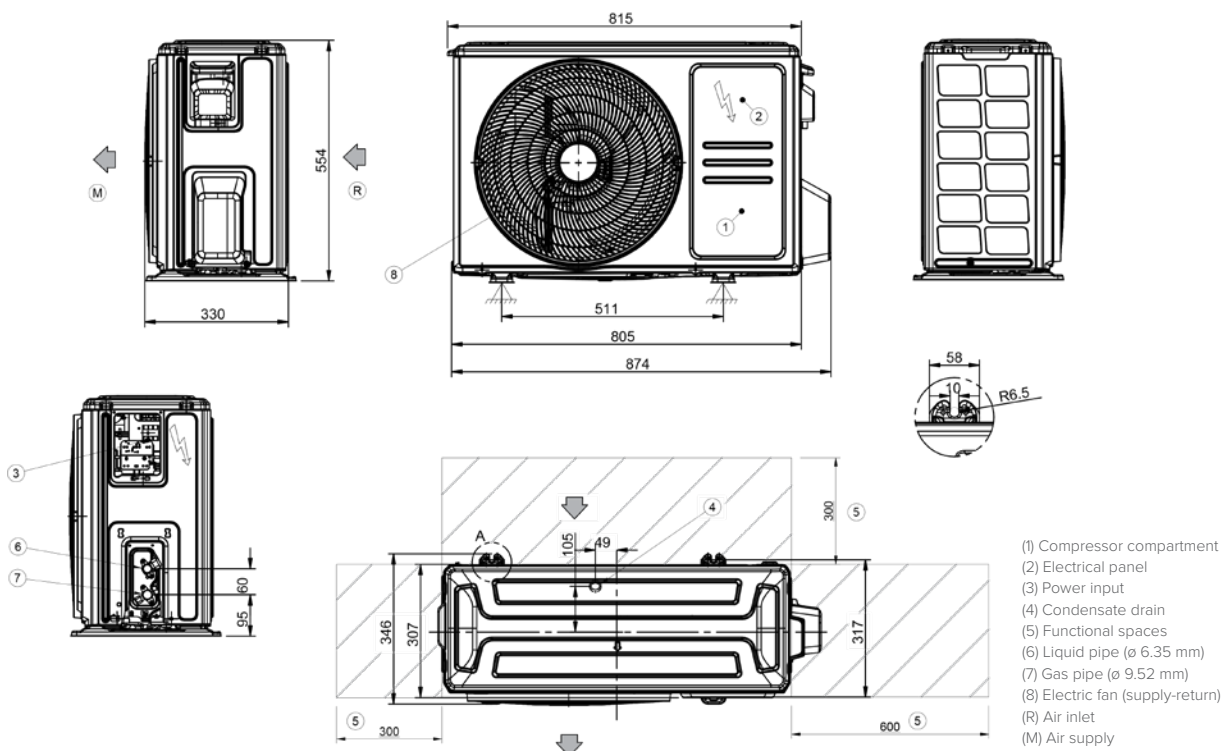
CERVINO - Indoor unit

MM2-Y 27M ÷ 35M



CERVINO - Indoor unit

MM2-Y 53M

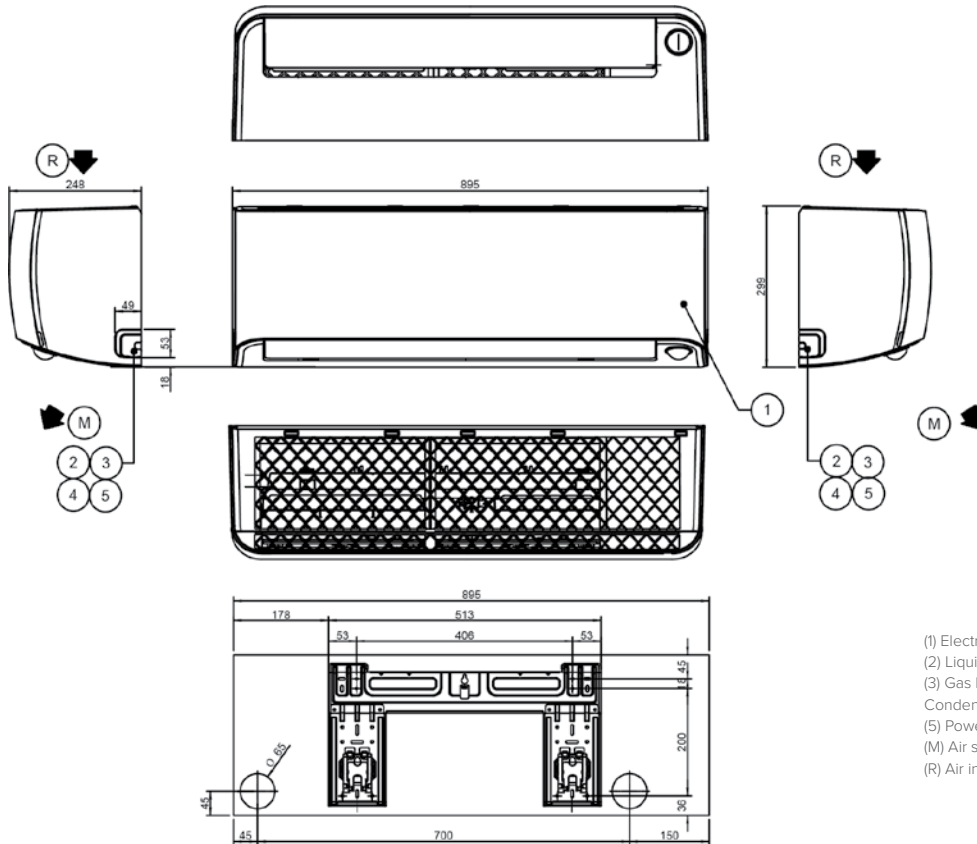


Unit of measurement: mm

DIMENSIONAL DRAWINGS

STELVIO - Indoor unit

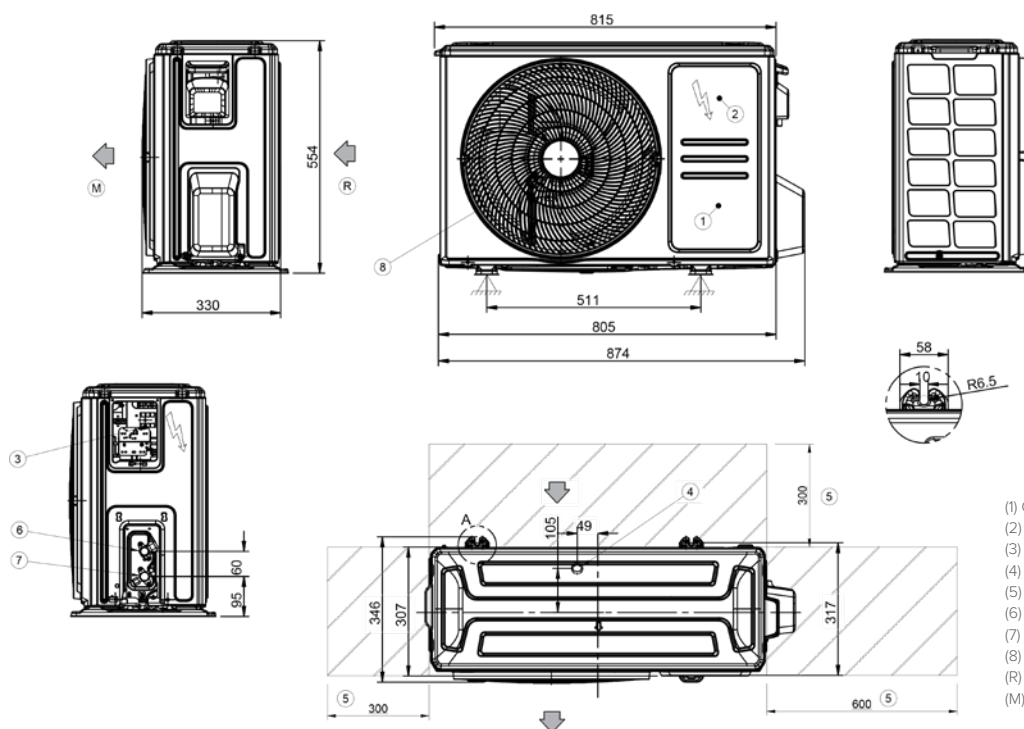
IH2-Y 27M ÷ 35M



- (1) Electrical panel
- (2) Liquid line (Ø 6.35mm)
- (3) Gas line (Ø 9.52 mm)
- Condensate drain (Ø 16mm)
- (5) Power input
- (M) Air supply
- (R) Air inlet

STELVIO - Outdoor unit

MH2-Y 27M ÷ 35M



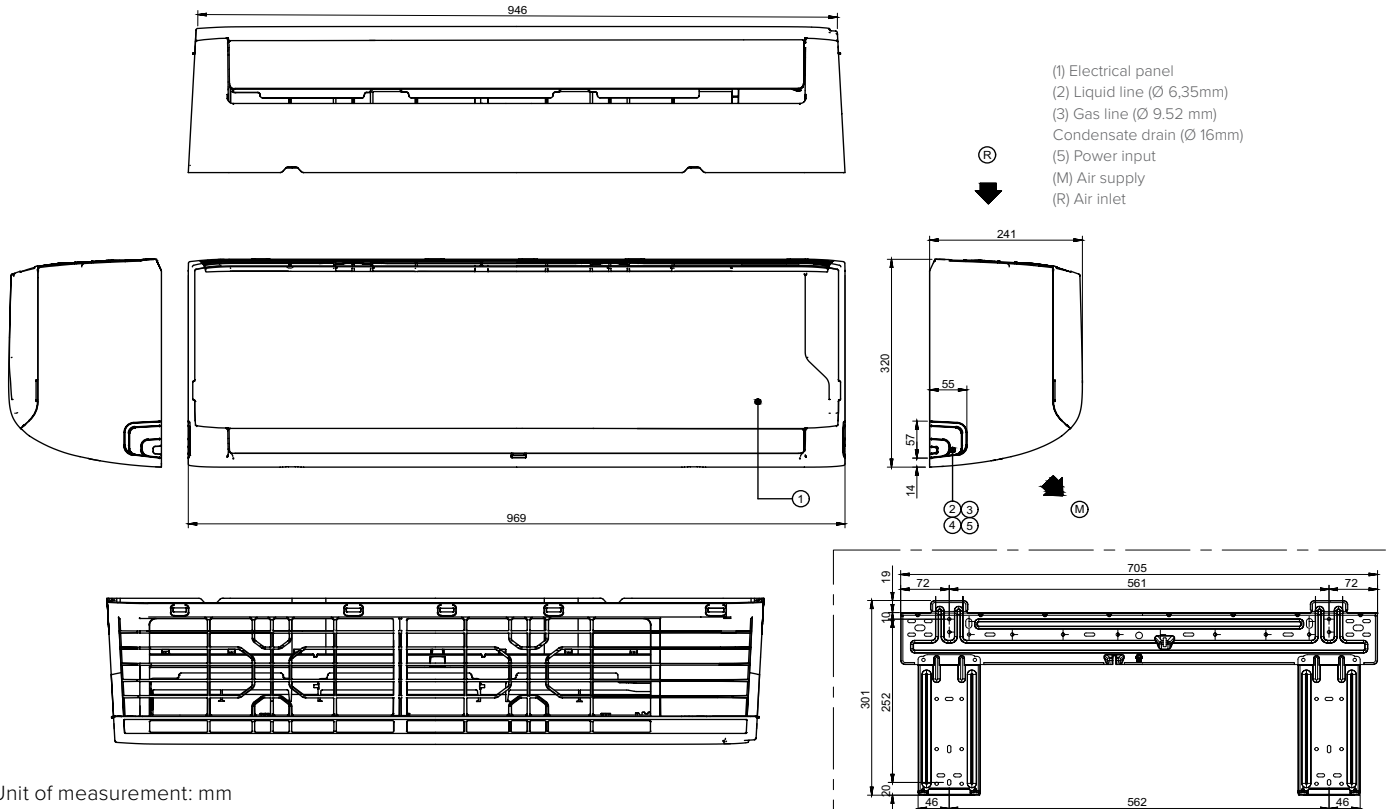
- (1) Compressor compartment
- (2) Electrical panel
- (3) Power input
- (4) Condensate drain
- (5) Functional spaces
- (6) Liquid pipe (ø 6.35 mm)
- (7) Gas pipe (ø 9.52 mm)
- (8) Electric fan (supply-return)
- (R) Air inlet
- (M) Air supply

Unit of measurement: mm

DIMENSIONAL DRAWINGS

CRISTALLO 2 - Indoor unit

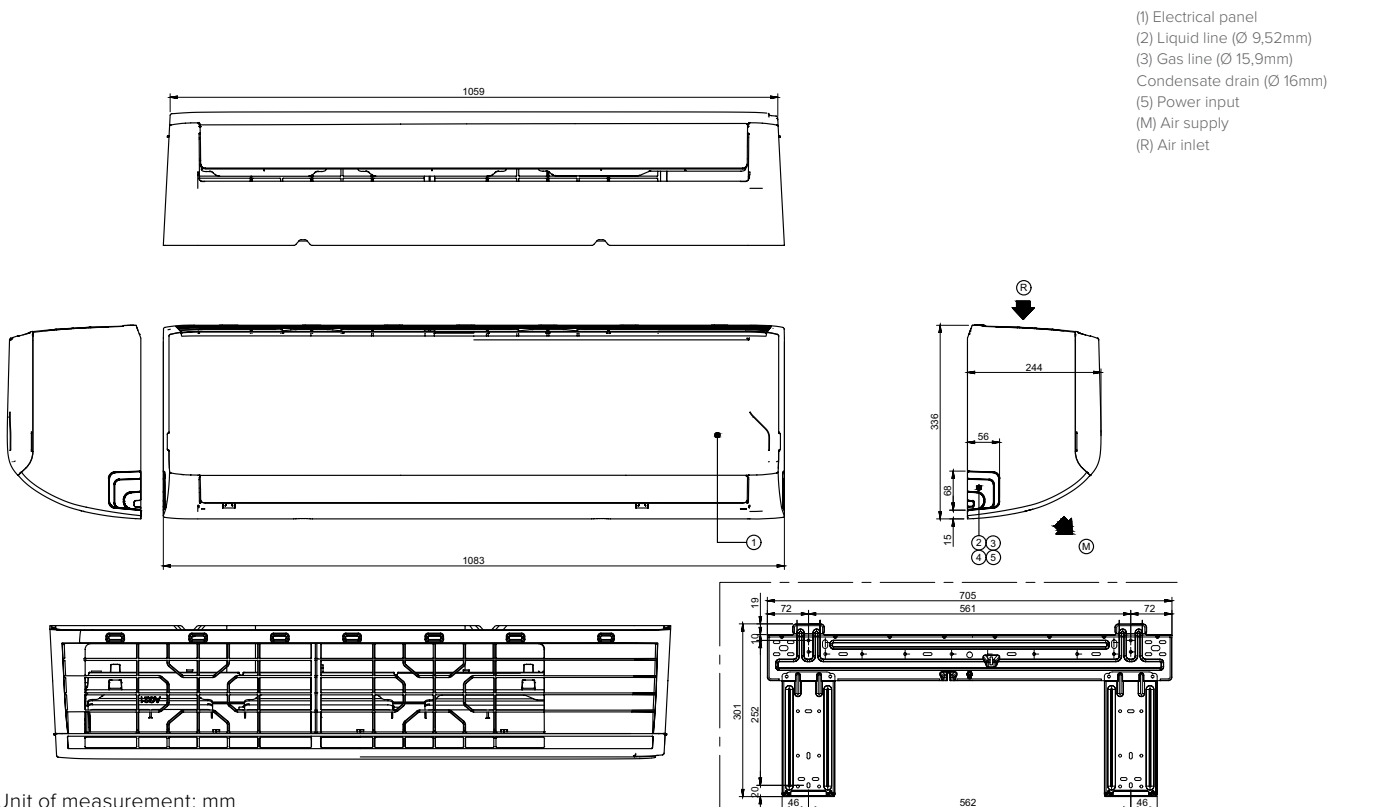
IMA1-Y 53M



Unit of measurement: mm

CRISTALLO 2 - Indoor unit

IMA1-Y 70M

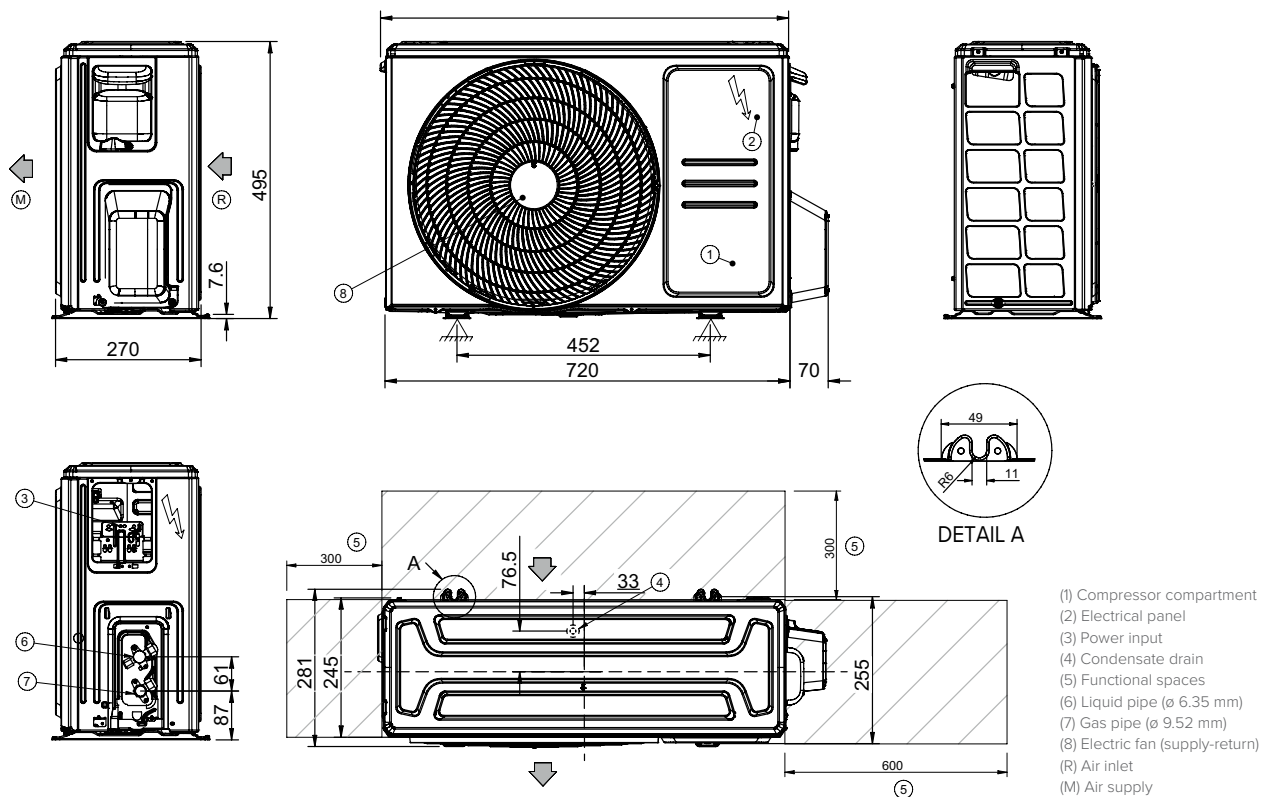


Unit of measurement: mm

DIMENSIONAL DRAWINGS

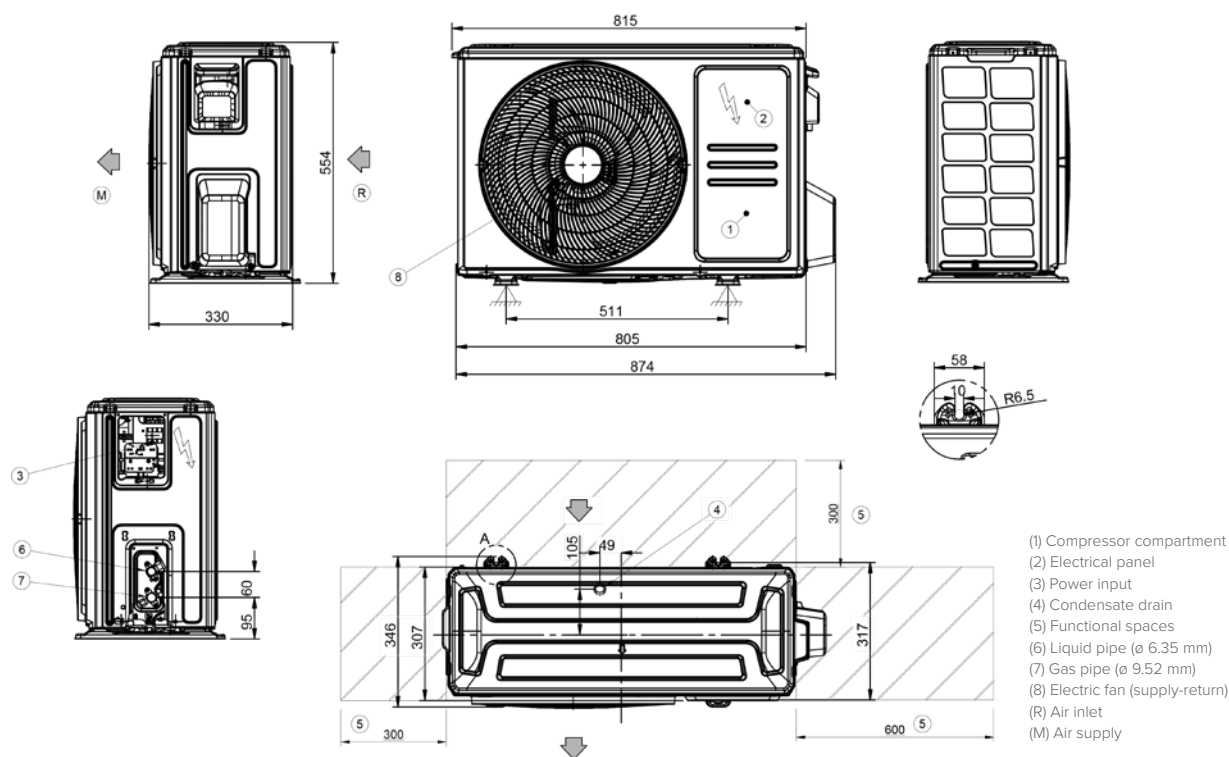
CRISTALLO 2 - Outdoor unit

MMA1-Y 27M ÷ 35M



CRISTALLO 2 - Outdoor unit

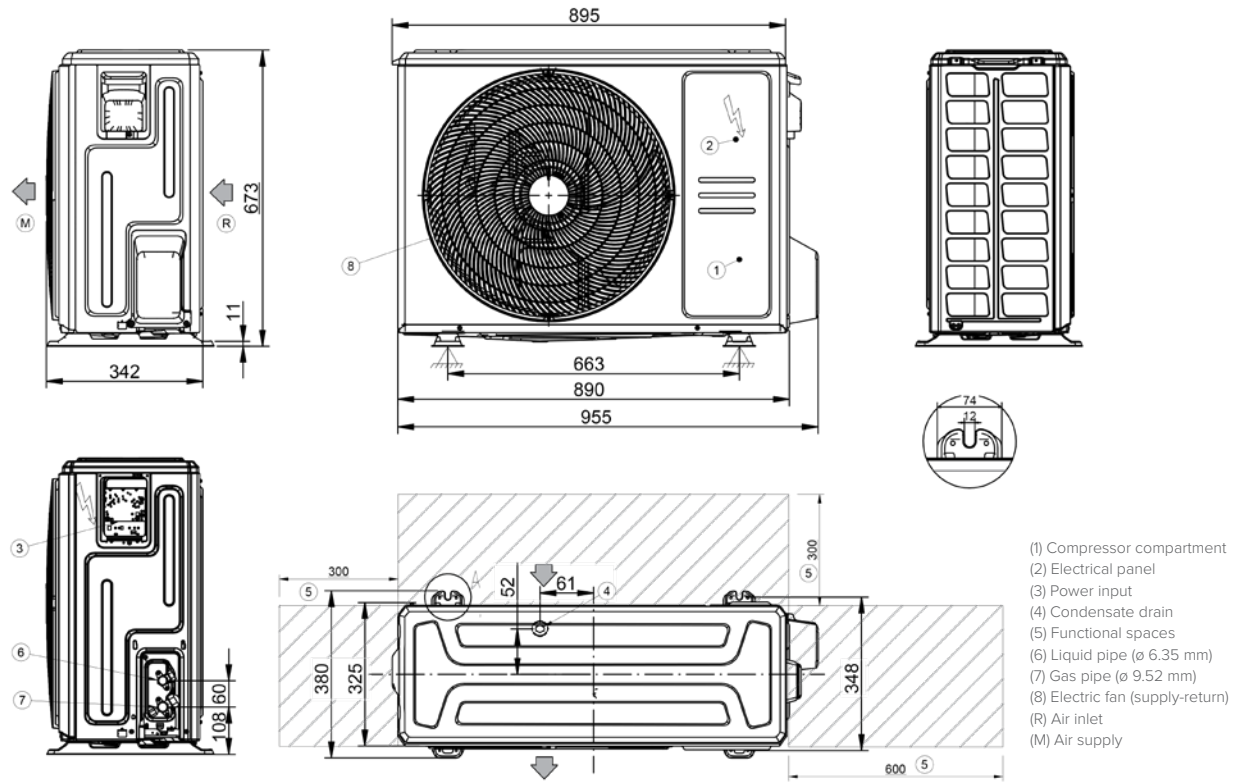
MMA1-Y 53M



DIMENSIONAL DRAWINGS

CRISTALLO 2 - Outdoor unit

MMA1-Y 70M



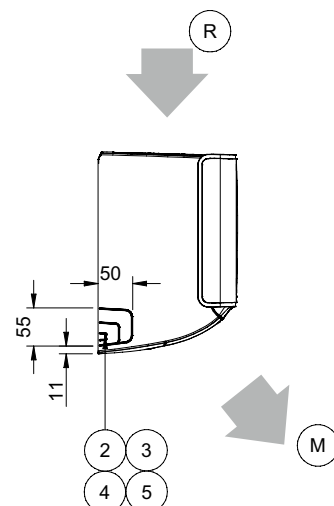
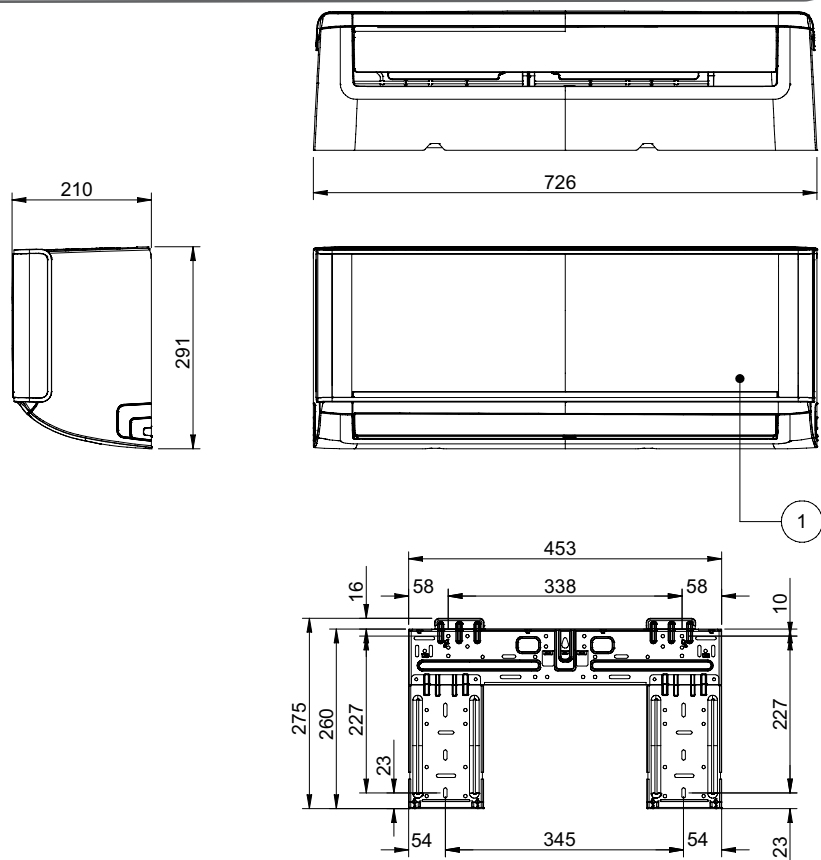
Unit of measurement: mm

DIMENSIONAL DRAWINGS

EZCool

Indoor unit

ILA1-Y 27M

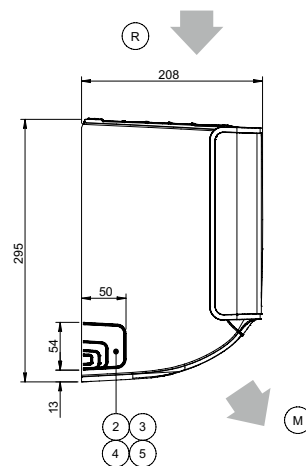
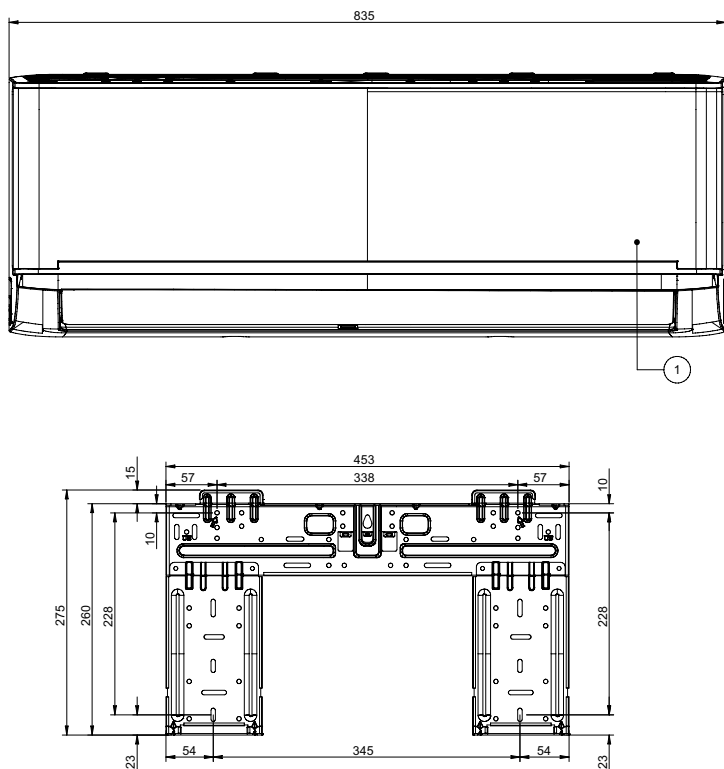


- (1) Electrical panel
- (2) Liquid line (Ø 6,35mm)
- (3) Gas line (Ø 9,52 mm)
- Condensate drain (Ø 16mm)
- (5) Power input
- (M) Air supply
- (R) Air inlet

EZCool

Indoor unit

ILA1-Y 35M



- (1) Electrical panel
- (2) Liquid line (Ø 6,35mm)
- (3) Gas line (Ø 9,52 mm)
- Condensate drain (Ø 16mm)
- (5) Power input
- (M) Air supply
- (R) Air inlet

Unit of measurement: mm

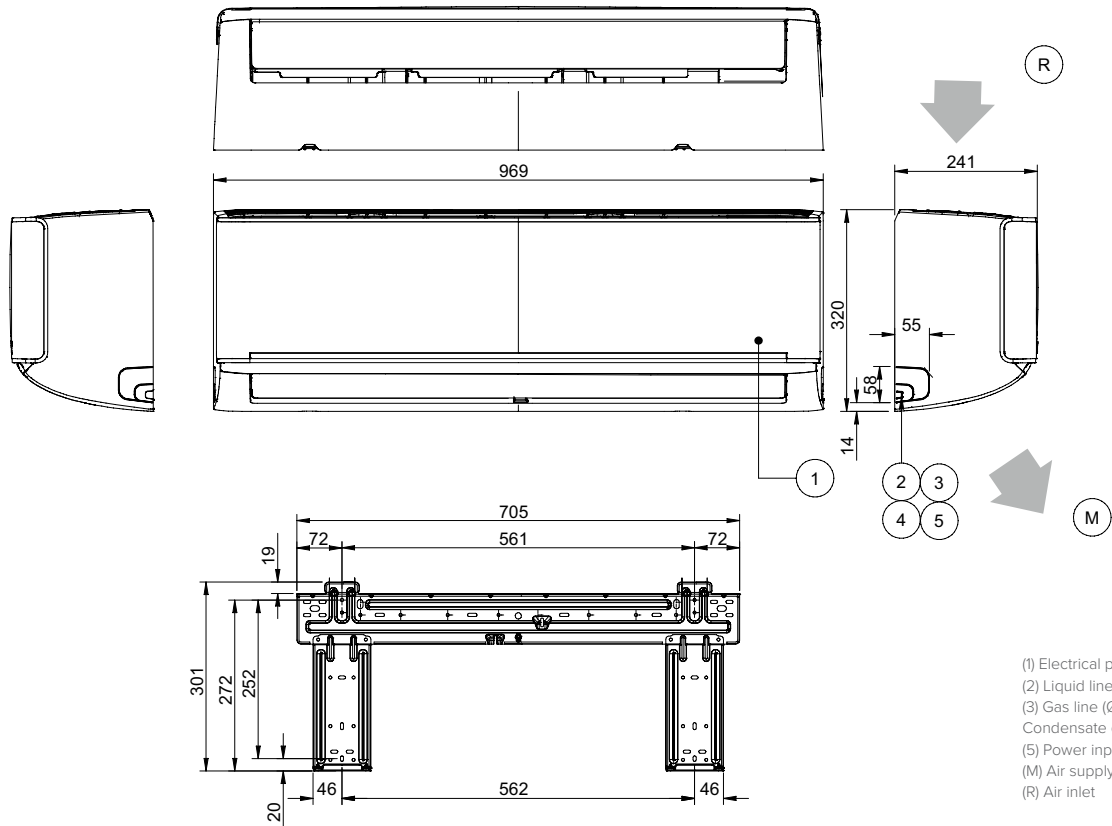
DIMENSIONAL DRAWINGS

DIMENSIONAL DRAWINGS

EZCool

Indoor unit

ILA1-Y 53M

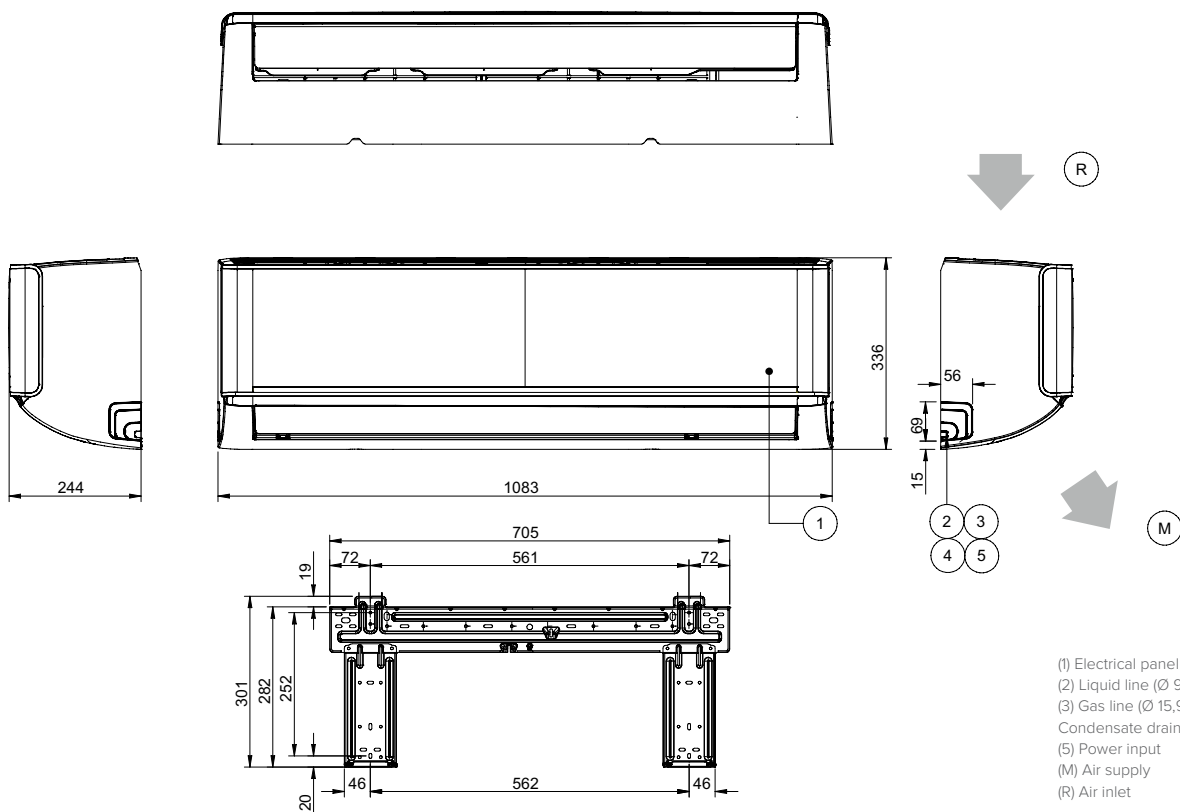


- (1) Electrical panel
- (2) Liquid line (Ø 6,35mm)
- (3) Gas line (Ø 12,7mm)
- Condensate drain (Ø 16mm)
- (5) Power input
- (M) Air supply
- (R) Air inlet

EZCool

Indoor unit

ILA1-Y 70M



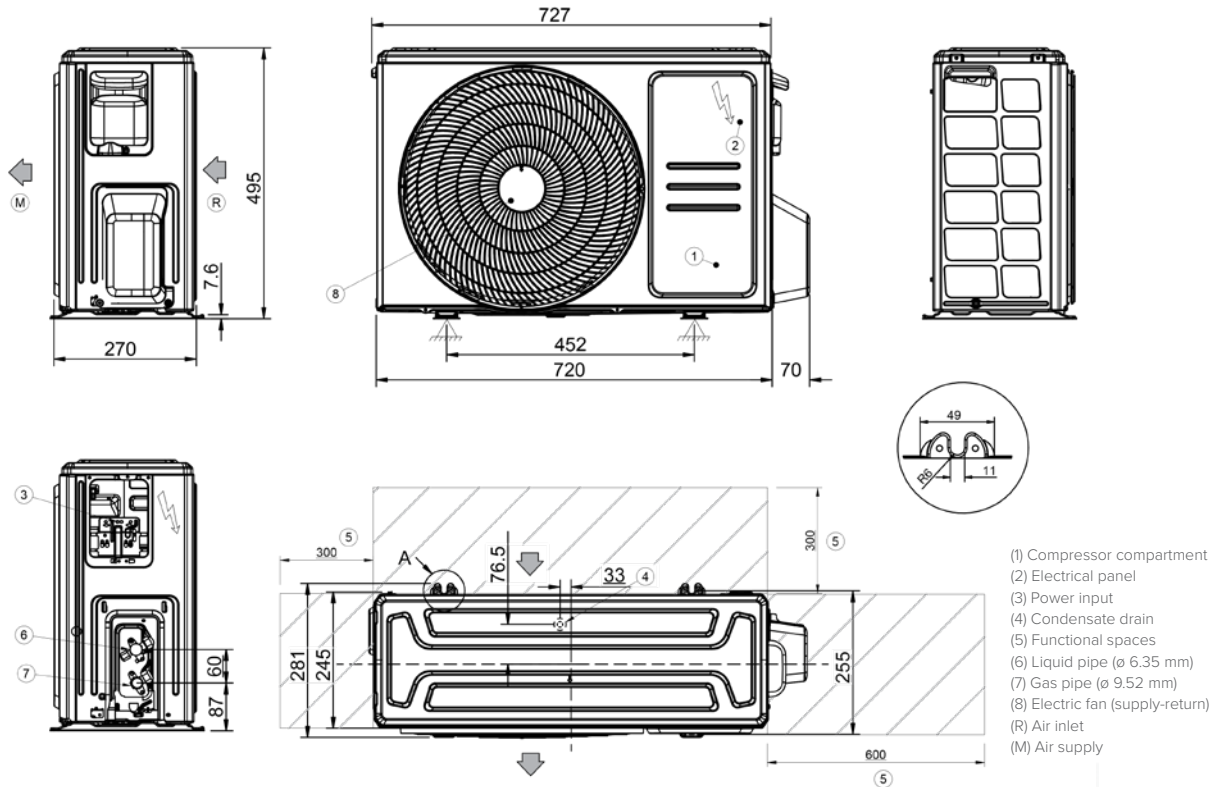
- (1) Electrical panel
- (2) Liquid line (Ø 9,52mm)
- (3) Gas line (Ø 15,9mm)
- Condensate drain (Ø 16mm)
- (5) Power input
- (M) Air supply
- (R) Air inlet

Unit of measurement: mm

DIMENSIONAL DRAWINGS

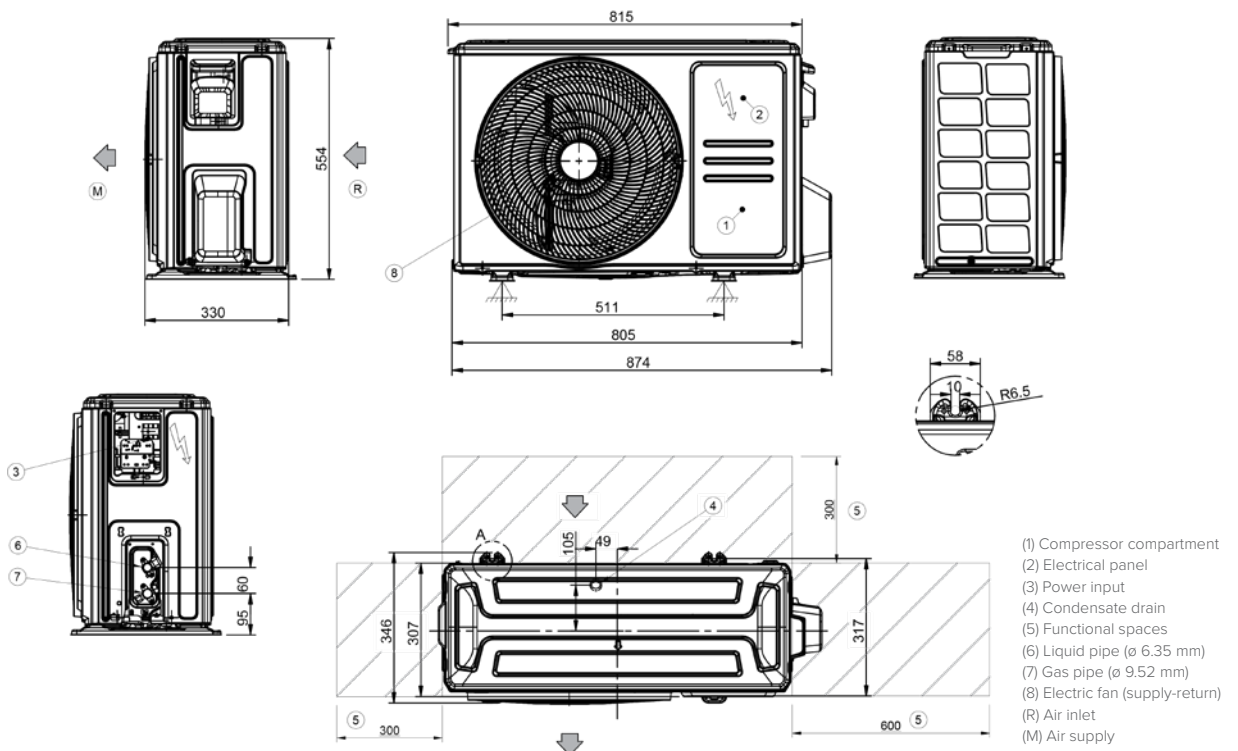
EZCool - Outdoor unit

MLA1-Y 27M - 35M



EZCool - Outdoor unit

MLA1-Y 53M

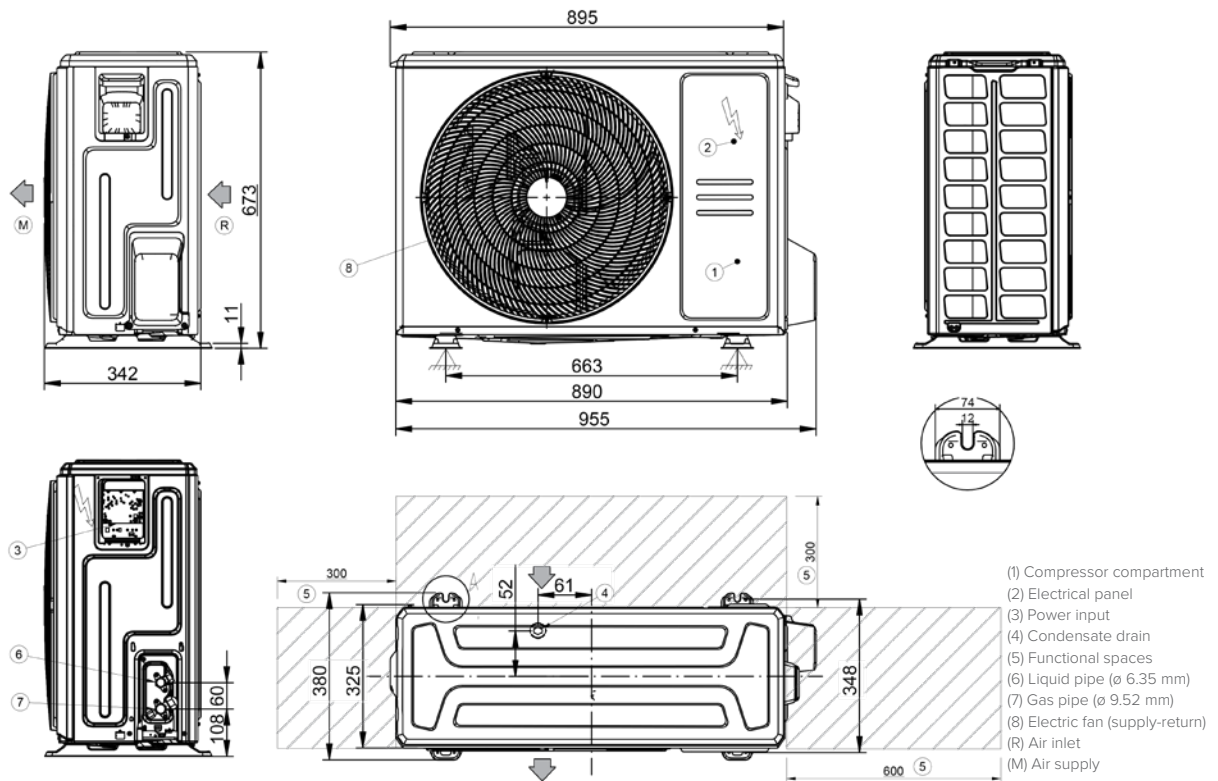


Unit of measurement: mm

DIMENSIONAL DRAWINGS

EZCool - Outdoor unit

MLA1-Y 70M



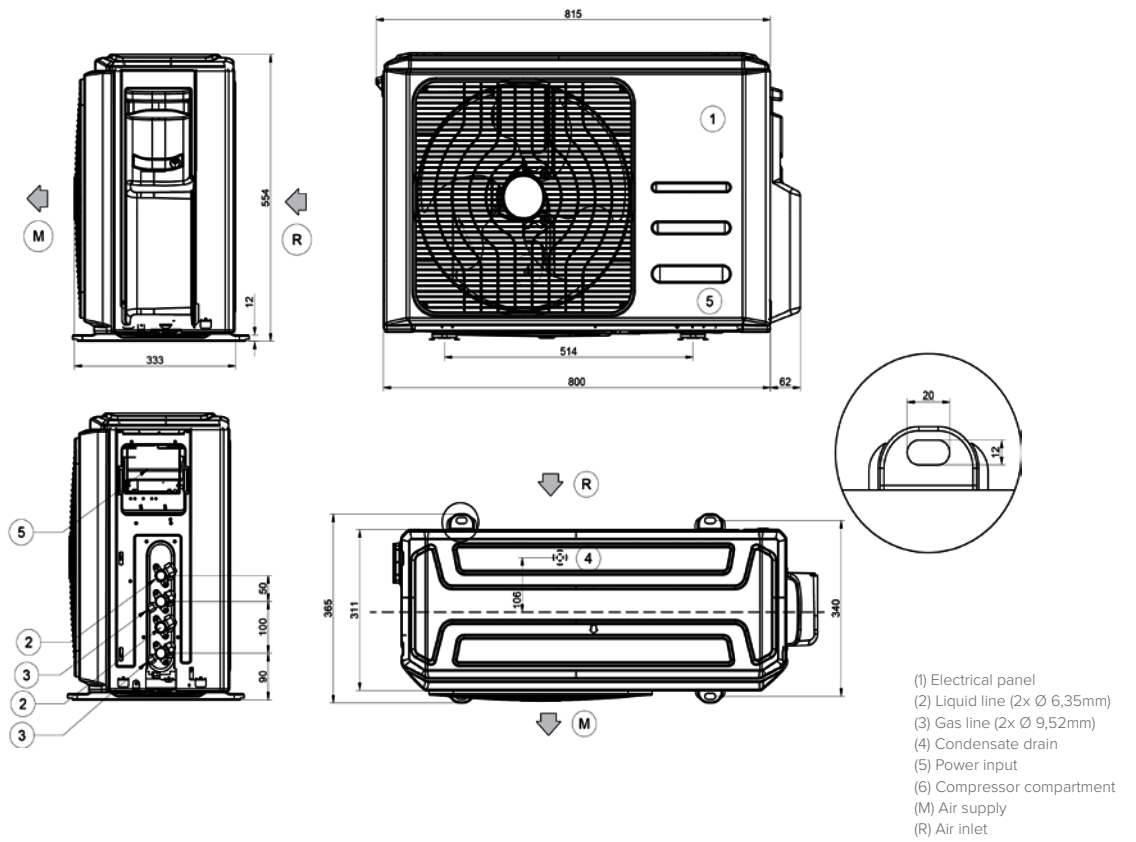
Unit of measurement: mm

DIMENSIONAL DRAWINGS

Multi Split

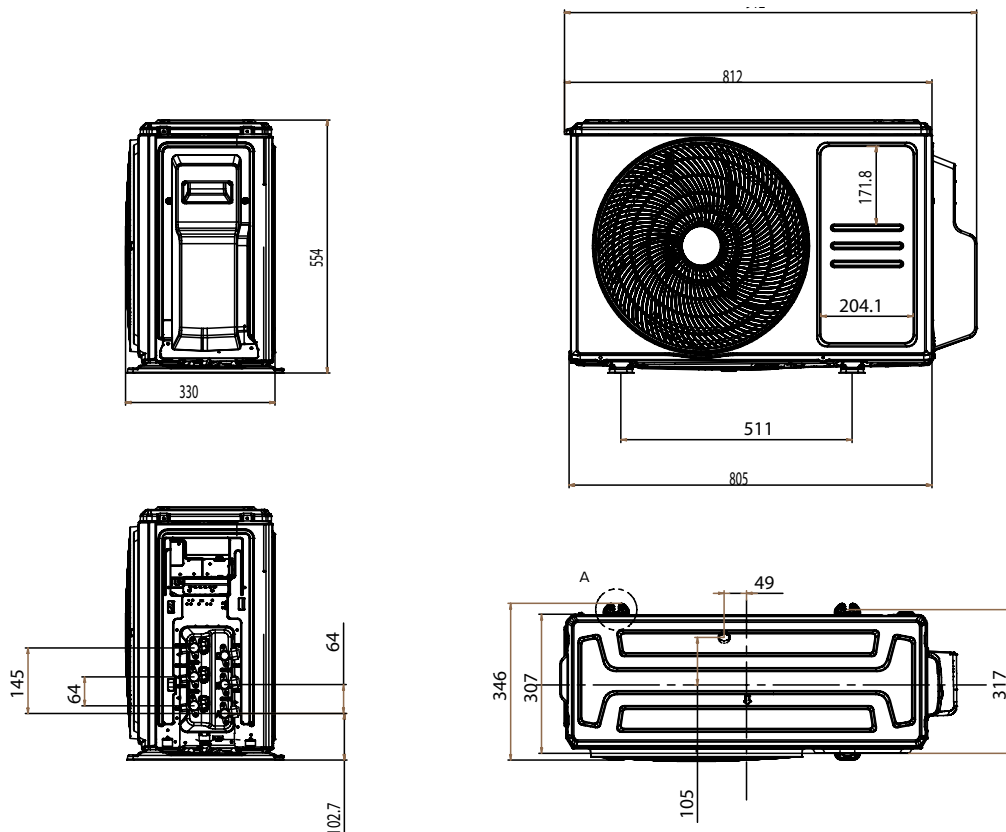
ODU-SM 2

MU2-Y 41M ÷ 53M



ODU-SM 2

MU2-Y 53M-3

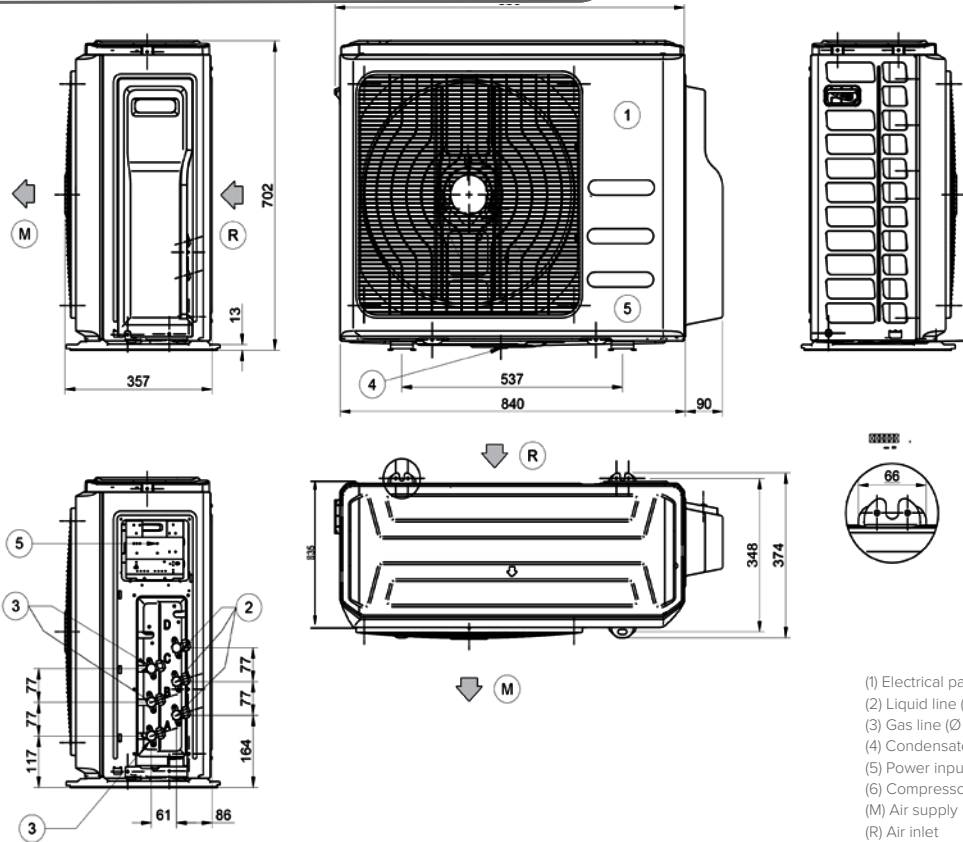


DIMENSIONAL DRAWINGS

DIMENSIONAL DRAWINGS

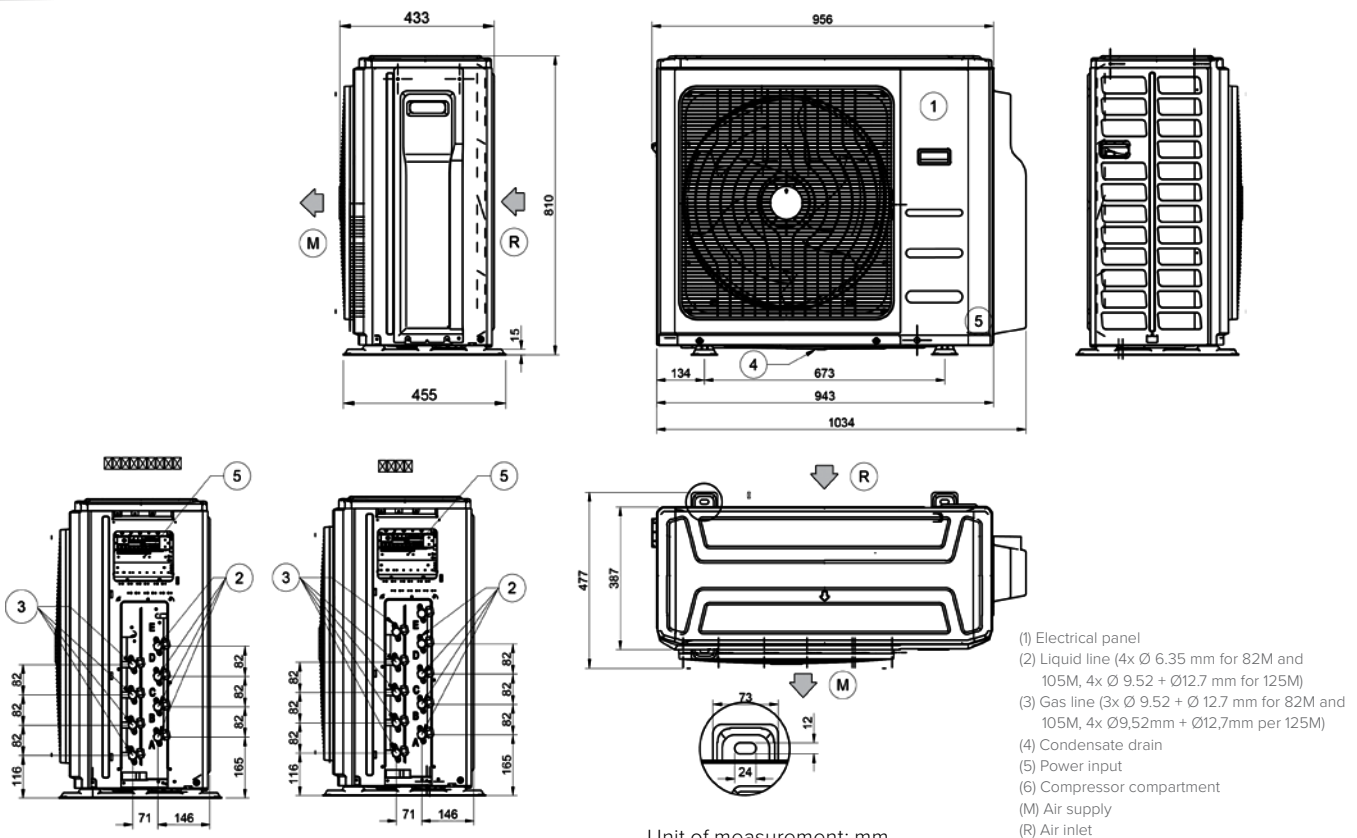
ODU-SM 2

MU2-Y 61M ÷ 79M



ODU-SM 2

MU2-Y 82M ÷ 105M ÷ 125M



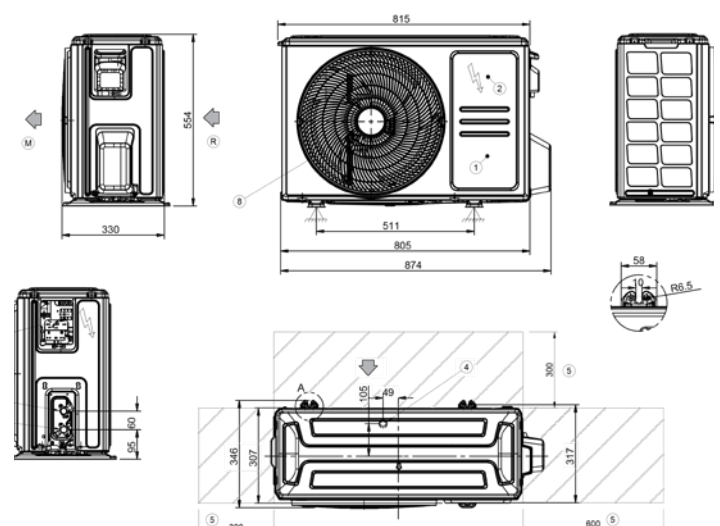
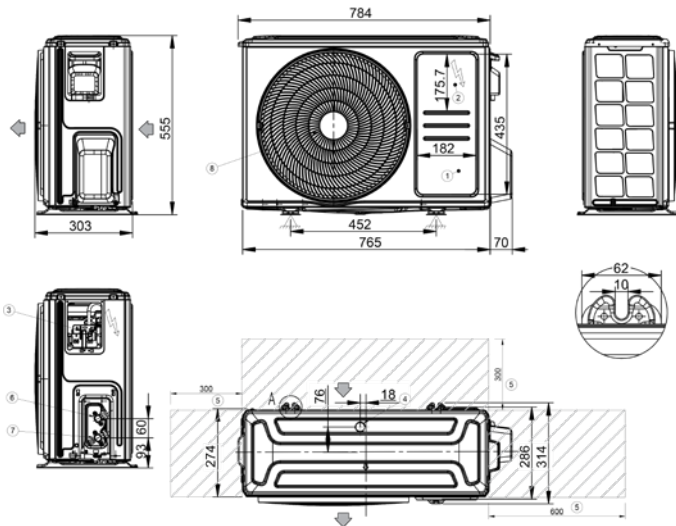
DIMENSIONAL DRAWINGS

Light Commercial

ODU-SL 2

MC3-Y 35M ODU-SL 2

MC3-Y 53M



- (1) Compressor compartment
- (2) Electrical panel
- (3) Power input
- (4) Condensate drain
- (5) Functional spaces

- (6) Liquid pipe (ø 6.35 mm)
- (7) Gas pipe (ø 9.52 mm)
- (8) Electric fan (supply-return)
- (R) Air inlet
- (M) Air supply

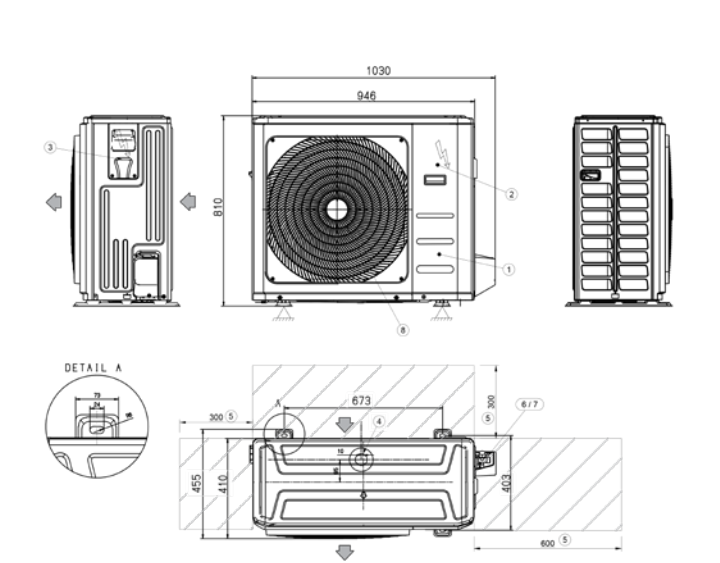
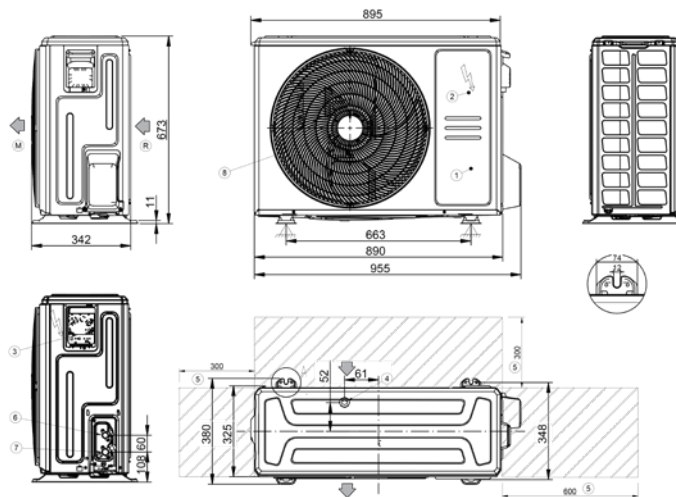
- (1) Compressor compartment
- (2) Electrical panel
- (3) Power input
- (4) Condensate drain
- (5) Functional spaces

- (6) Liquid pipe (ø 6.35 mm)
- (7) Gas pipe (ø 9.52 mm)
- (8) Electric fan (supply-return)
- (R) Air inlet
- (M) Air supply

ODU-SL 2

MC3-Y 70M ODU-SL 2

MC3-Y 88M-120M



Unit of measurement: mm

- (1) Compressor compartment
- (2) Electrical panel
- (3) Power input
- (4) Condensate drain
- (5) Functional spaces

- (6) Liquid pipe (ø 6.35 mm)
- (7) Gas pipe (ø 9.52 mm)
- (8) Electric fan (supply-return)
- (R) Air inlet
- (M) Air supply

- (1) Electrical panel
- (2) Liquid line (4x Ø 6.35 mm for 82M and 105M, 4x Ø 9.52 + Ø12.7 mm for 125M)
- (3) Gas line (3x Ø 9.52 + Ø 12.7 mm for 82M and 105M, 4x Ø 9.52 + Ø12.7 mm for 125M)

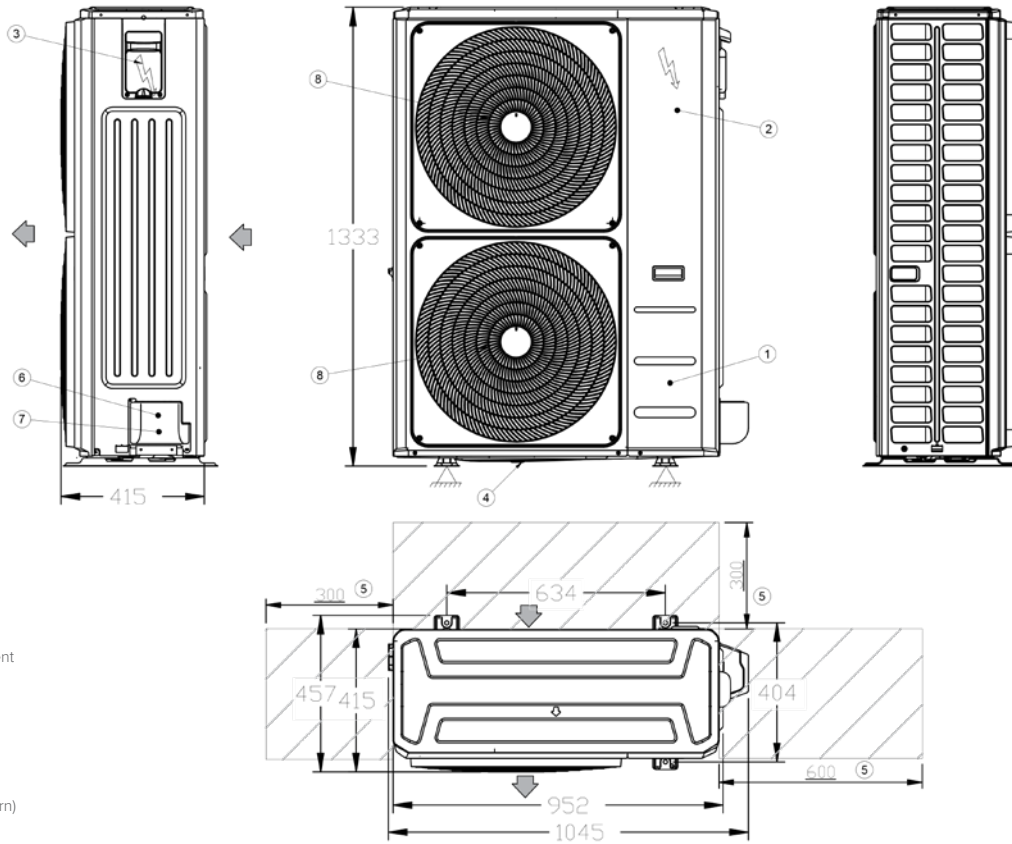
- (4) Condensate drain
- (5) Power input
- (6) Compressor compartment
- (M) Air supply
- (R) Air inlet

DIMENSIONAL DRAWINGS

DIMENSIONAL DRAWINGS

ODU-SL 2

MC3-Y 140T÷160T



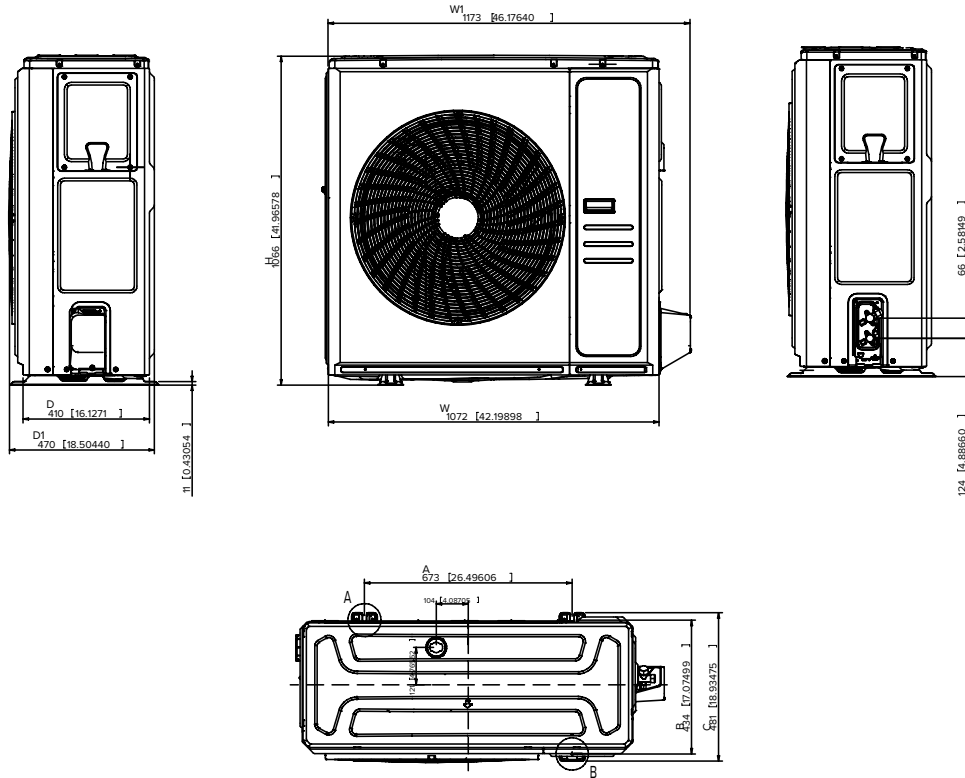
- (1) Compressor compartment
- (2) Electrical panel
- (3) Power input
- (4) Condensate drain
- (5) Functional spaces
- (6) Liquid pipe (ø 6.35 mm)
- (7) Gas pipe (ø 9.52 mm)
- (R) Air inlet
- (M) Air supply

Unit of measurement: mm

DIMENSIONAL DRAWINGS

ODU-SL 2

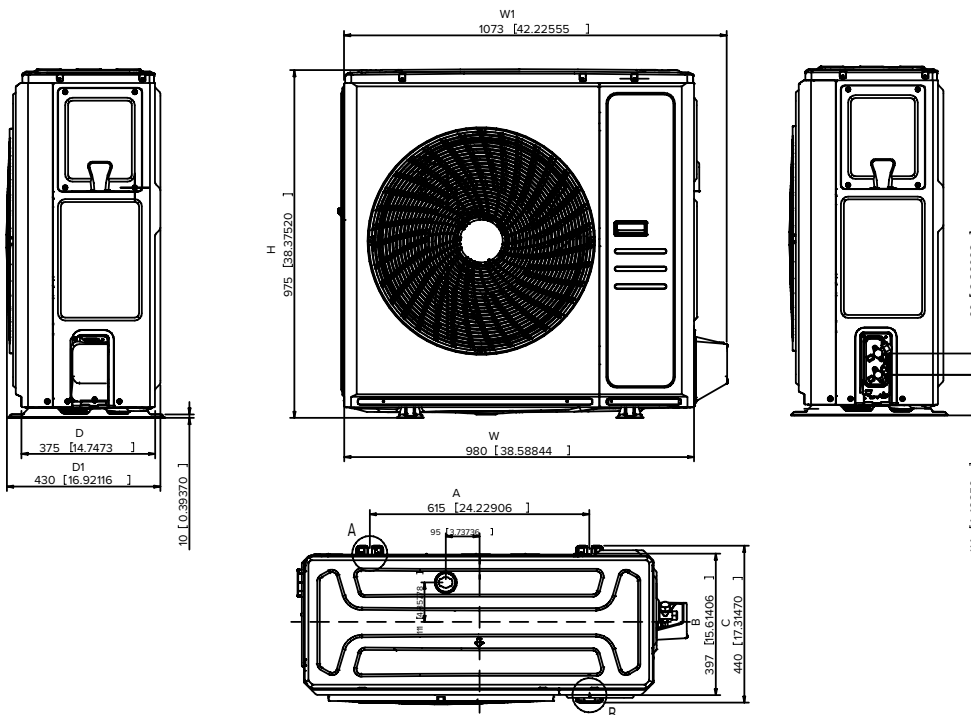
MC4-Y 70M÷88M



Unit of measurement: mm

ODU-SL 2

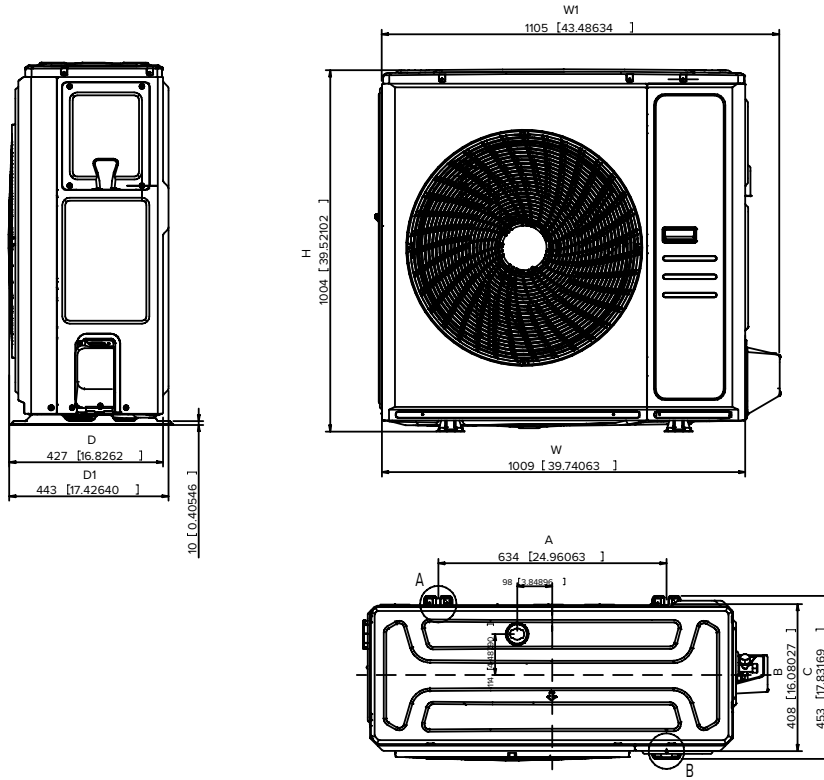
MC4-Y 140T



Unit of measurement: mm

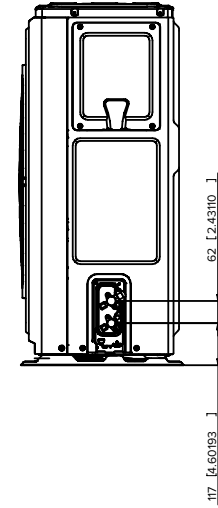
DIMENSIONAL DRAWINGS

ODU-SL 2



Unit of measurement: mm

MC4-Y 160T

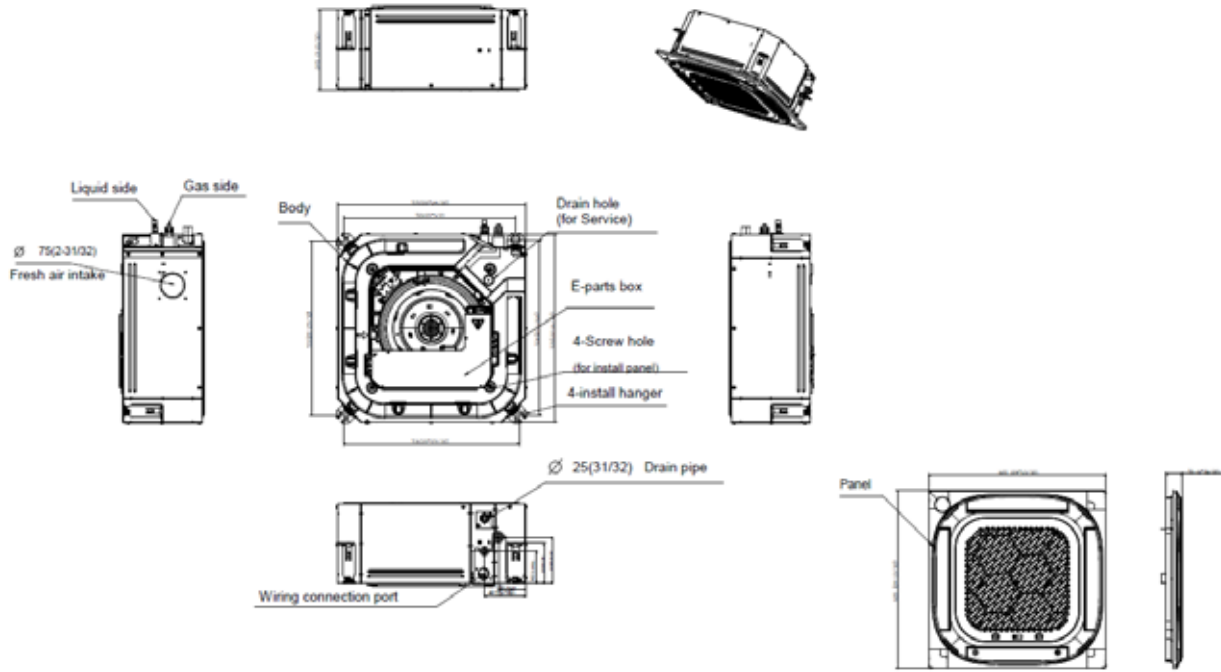


117 [4.60193]

DIMENSIONAL DRAWINGS

4-WAY COMPACT CASSETTE

IBA1-Y 35M÷53M



Unit of measurement: mm

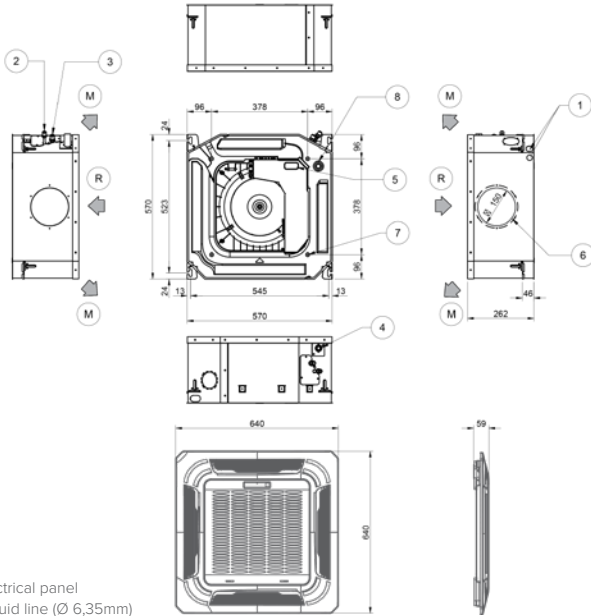
DIMENSIONAL DRAWINGS

BOX 2 650X650

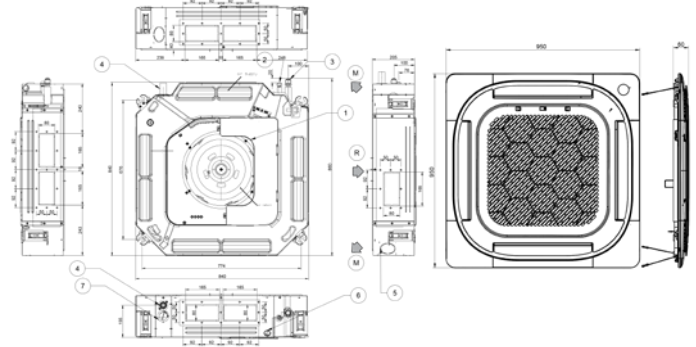
IB3-XY 27M÷53M

BOX 2 950X950

IA3-XY 70M



- (1) Electrical panel
- (2) Liquid line (Ø 6,35mm)
- (3) Gas line (Ø 9,52 mm per 35M, Ø 12,7 mm for 53M)
- (4) Condensate drain (Ø 25mm)
- (5) Fresh air intake (Ø 65mm)
- (6) Power input
- (7) Nr. 4 threaded holes for panel installation
- (8) Discharge hole for maintenance
- (M) Air supply
- (R) Air inlet



- (1) Electrical panel
- (2) Liquid line (Ø 9,52mm)
- (3) Gas line (Ø 15,9mm)
- (4) Condensate drain (Ø 32mm)
- (5) Fresh air intake (Ø 75mm)
- (6) Power input
- (7) Discharge hole for maintenance
- (M) Air supply
- (R) Air inlet

BOX 2 950X950

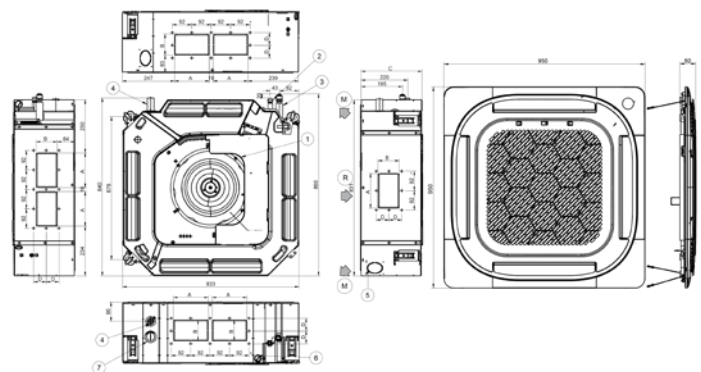
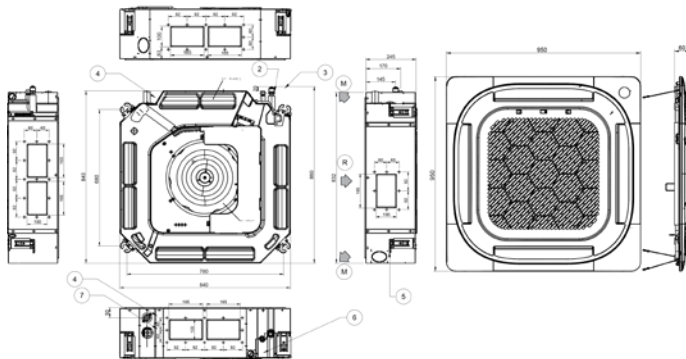
IA3-XY 88M÷105M

BOX 2 950X950

IA3-XY 120M÷160M

- (1) Electrical panel
- (2) Liquid line (Ø 6,35mm)
- (3) Gas line ((Ø 9,52 mm per 35M, Ø 12,7 mm for 53M)
- (4) Condensate drain (Ø 25mm)
- (5) Fresh air intake (Ø 65mm)
- (6) Power input
- (7) Discharge hole for maintenance
- (M) Air supply
- (R) Air inlet

- (1) Electrical panel
- (2) Liquid line (Ø 6,35mm)
- (3) Gas line ((Ø 9,52 mm per 35M, Ø 12,7 mm for 53M)
- (4) Condensate drain (Ø 25mm)
- (5) Fresh air intake (Ø 65mm)
- (6) Power input
- (7) Discharge hole for maintenance
- (M) Air supply
- (R) Air inlet

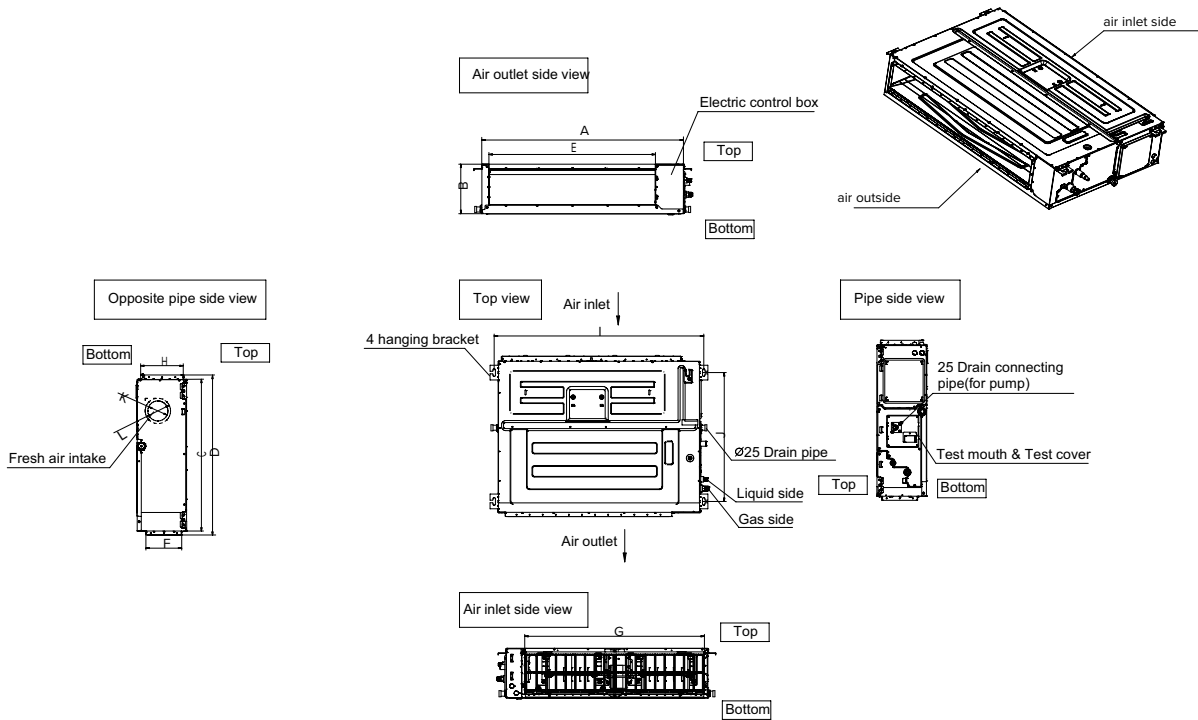


Unit of measurement: mm

DIMENSIONAL DRAWINGS

DUCT 3

IDA1-Y 35M ÷160M



Unit of measurement: mm

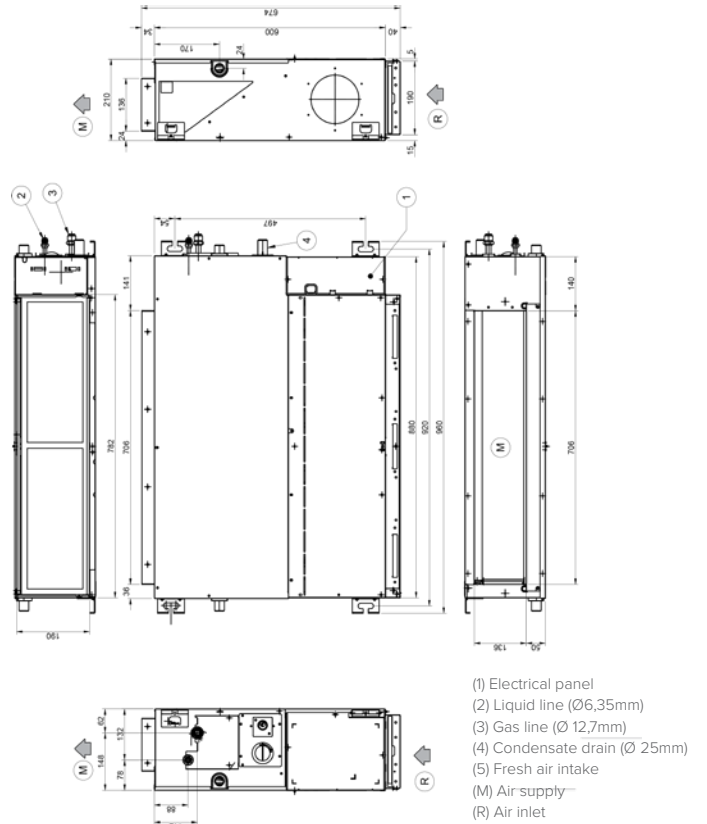
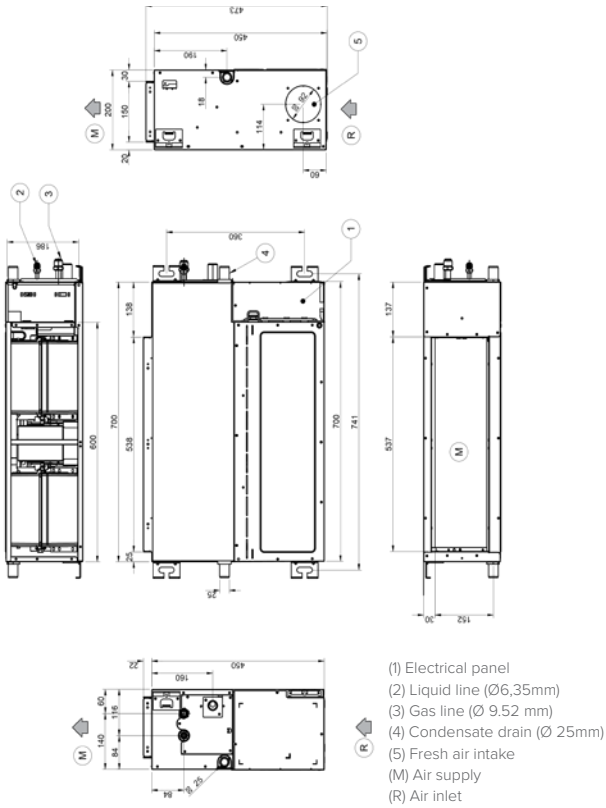
DIMENSIONAL DRAWINGS

DUCT 2

ID3-XY 27M÷35M

DUCT 2

ID3-XY 53M

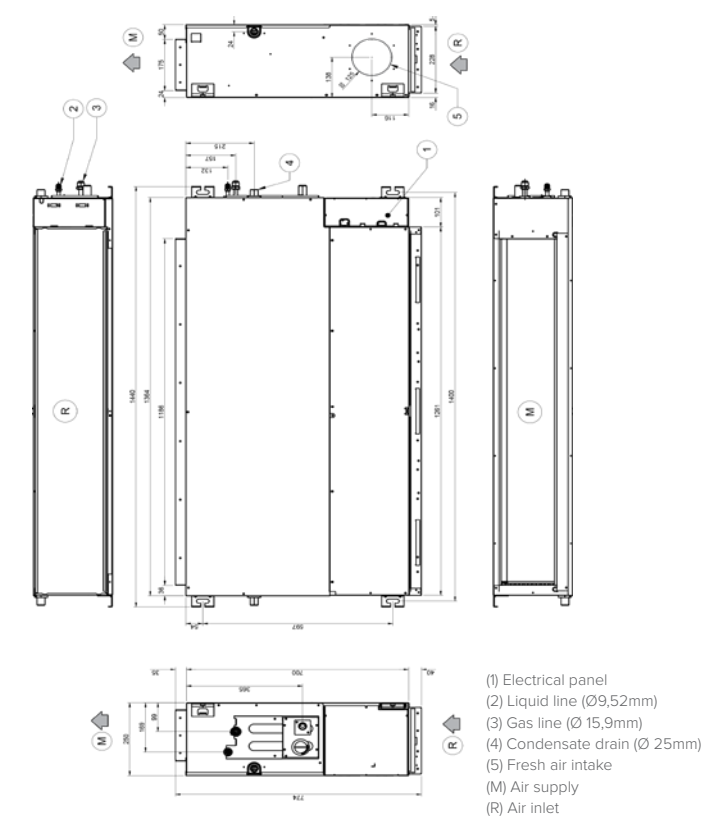
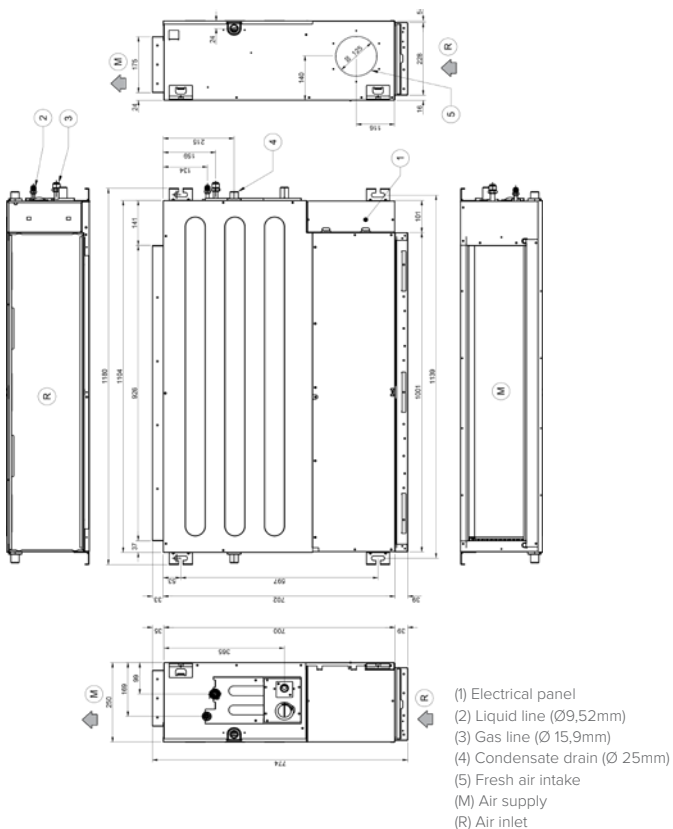


DUCT 2

ID3-XY 70M

DUCT 2

ID3-XY 105M



Unit of measurement: mm

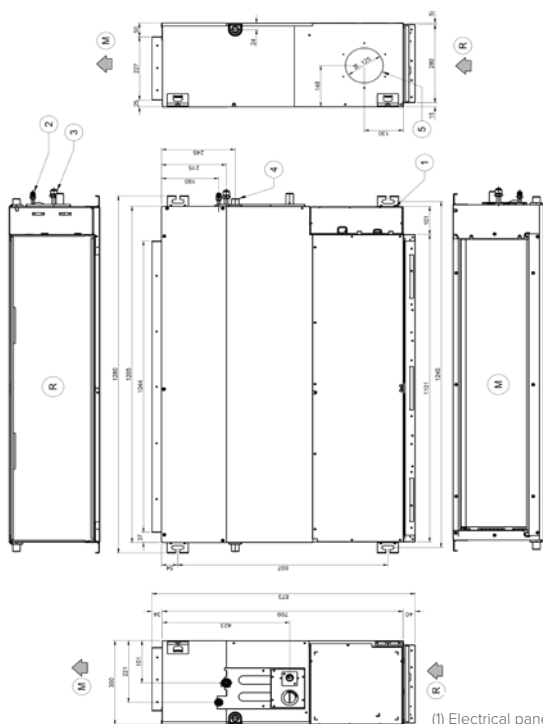
DIMENSIONAL DRAWINGS

DUCT 2

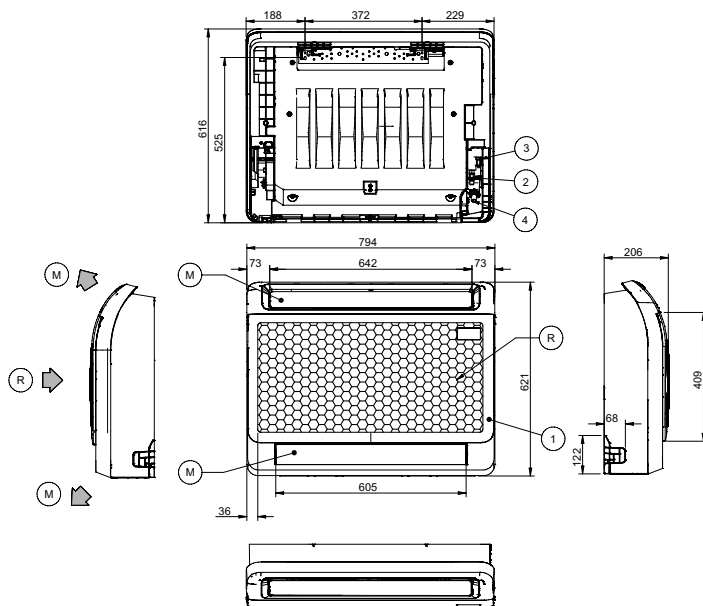
ID3-XY 140M÷160M

CONSOLE 3

IC3-Y 27M ÷ 53M



- (1) Electrical panel
- (2) Liquid line (Ø 9,52mm)
- (3) Gas line (Ø 15,9mm)
- (4) Condensate drain (Ø 25mm)
- (5) Fresh air intake
- (M) Air supply
- (R) Air inlet



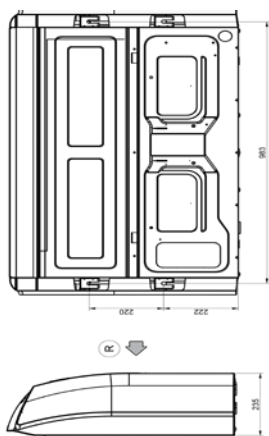
- (1) Electrical panel
- (2) Gas line (Ø 9,52mm per 27M/35M; Ø12,7mm per 53M)
- (3) Liquid line (Ø 6,35mm)
- (4) Condensate drain (Ø 25mm)
- (M) Air supply
- (R) Air inlet

CEILING & FLOOR 2

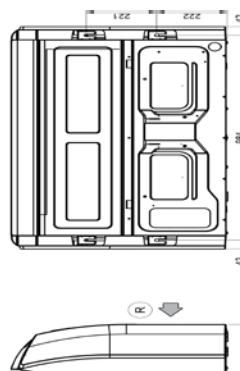
IF3-XY 53M

CEILING & FLOOR 2

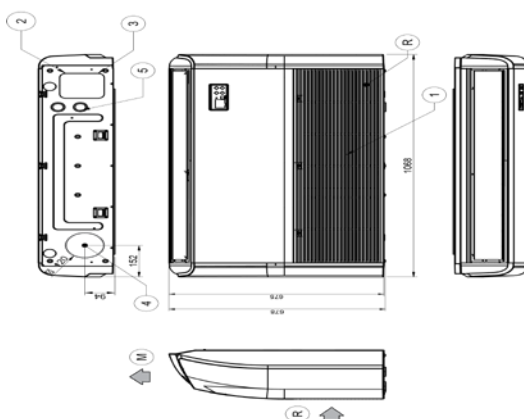
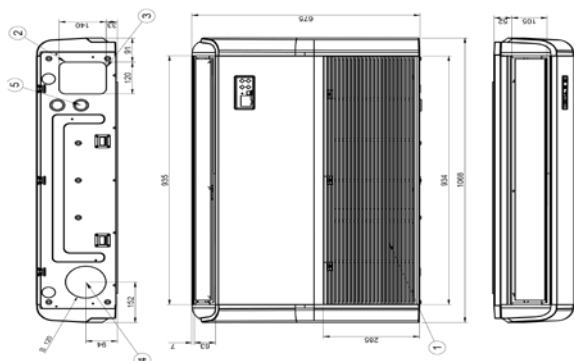
IF3-XY 70M



- (1) Electrical panel
- (2) Liquid line (Ø 6,35mm)
- (3) Gas line (Ø 12,7mm)
- (4) Condensate drain (Ø 25mm)
- (5) Power input
- (M) Air supply
- (R) Air inlet



- (1) Electrical panel
- (2) Liquid line (Ø 9,52mm)
- (3) Gas line (Ø 15,9mm)
- (4) Condensate drain (Ø 25mm)
- (5) Power input
- (M) Air supply
- (R) Air inlet

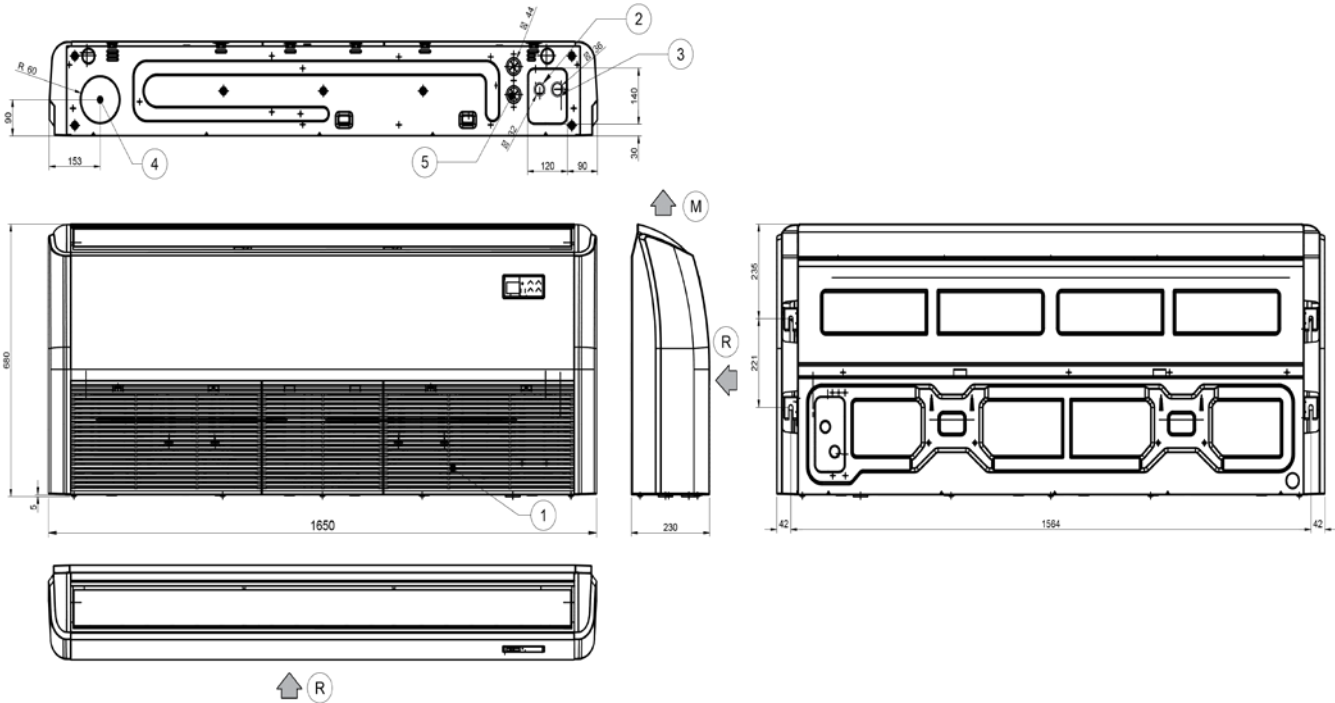


Unit of measurement: mm

DIMENSIONAL DRAWINGS

CEILING & FLOOR 2

IF3-XY 105M÷140M÷160M



Unit of measurement: mm

INDEX

SERIES	SIZE FROM	TO	BRAND NAME.	GROUP	PAGE
IEA1-P + MEA1-P	27M	35M	CERVINO	MONOSPLIT	24
IH2-Y + MH2-Y	27M	35M	STELVIO	MONOSPLIT	28
IMA1-Y + MMA1-Y	27M	70M	CRISTALLO 2	MONOSPLIT	32
ILA1-Y + MLA1-Y	27M	70M	EZCool	MONOSPLIT	36
MU2Y	41M	125M	ODU-SM 2	MULTISPLIT	46
IMA1-Y	27M	70M	CRISTALLO 2	MULTISPLIT	50
IB3-XY	27M	53M	BOX 2 650x650	MULTISPLIT	56
IB3-XY	27M	53M	BOX 2 650x650	MULTISPLIT	58
ID3-XY	27M	53M	DUCT 2	MULTISPLIT	60
ID3-XY	27M	53M	DUCT 2	MULTISPLIT	62
IC3-Y	27M	53M	CONSOLE 3	MULTISPLIT	64
IF3-XY	53M	-	CEILING & FLOOR 2	MULTISPLIT	66
IB3-XY + MC3-Y	35M	53M	BOX 2 650x650	LIGHT COMMERCIAL	98
IB3-XY + MC3-Y	35M	53M	BOX 2 650x650	LIGHT COMMERCIAL	100
IA3-XY + MC3-Y	70M	160M	BOX 2 950x950	LIGHT COMMERCIAL	102
ID3-XY + MC3-Y	35M	160M	DUCT 2	LIGHT COMMERCIAL	104
ID3-XY + MC3-Y	35M	160M	DUCT 2	LIGHT COMMERCIAL	106
IC3-Y + MC3-Y	35M	53M	CONSOLE 3	LIGHT COMMERCIAL	108
IF3-XY + MC3-Y	53M	160M	CEILING & FLOOR 2	LIGHT COMMERCIAL	110

Clivet, in compliance with Regulation 517/2014, informs that its products contain or function with the use of fluorinated greenhouse gases: R-32 (GWP 675), R-410A (GWP 2087,5), R-134a (GWP 1430) e R-407C (GWP 1773,85), R-513A (GWP 631), R-1234ze (GWP 7), R-290 (GWP 3).

Data contained in this catalogue are not binding and may be changed by the Manufacturer without notice.

No part of this publication may be reproduced.

Updated data available on www.clivet.com

A thin yellow line that starts horizontally from the left edge of the page, then curves downwards and to the right, ending horizontally at the start of the text.

ICONS GUIDE

A solid yellow vertical bar located on the right side of the page.

ICONS GUIDE

ENERGY SAVING

- 1W Stand-by**
Reduction of power consumption during the stand-by function.
- ECO**
Energy-saving operation mode
- Sleep**
Night operation program that reduce sound levels and maintain suitable temperatures.
- Holiday**
away Energy-saving mode for long period staying outside home
- Intelligent Eye Detector**
Infrared sensor that adapt unit operations following people presence.
- Gear**
Let the user set the operation at standard, 75% or 50% energy consumptions

COMFORT

- Follow Me**
Temperature sensor built in the remote controller will sense its surrounding temperature.
- TURBO**
This function gives you a boost in cooling and heating power for a period, and makes the room cool down or heat up rapidly.
- Silent**
Deactivating audible warnings and switching off the display.
- Super Silent**
Low noise operating profile
- Stepless Outdoor Fan Speed**
The fan speed is adjustable anywhere in the range 1%-100%
- 12 Grades Indoor Fan Speeds**
Up to 12 levels indoor fan speeds, ensure more accurate control and bring more comfortable airflow.
- Stepless Outdoor Fan Speed**
The fan speed is adjustable anywhere in the range 1%-100%.
- 7 Outdoor Fan Speeds Levels**
Up to 7 levels outdoor fan speeds, ensure more accurate control and energy saving.
- 6 Outdoor Fan Speeds Levels**
Up to 6 grades outdoor fan speeds, ensure more accurate control and energy saving.
- Anti cold air**
Cold air flow prevention if internal heat exchanger is too cold.
- Temperature Compensation**
This function can revise this temperature difference to make a more accurate temperature control.
- Multidirectional airflow**
Horizontal and vertical blades are motorised and remote-controlled
- 360° Air flow**
360° air outlet creates a soft and gentle air flow which circulates throughout the whole space and provides an even temperature distribution in the room.
- Hot air flow**
The unit can distribute high temperature air even in colder climates, ensuring optimal comfort.
- Auto Swing**
It distributes cool/warm air to maximum area by moving horizontal flaps automatically.
- Wide air flow range**
Long supply airflow, for a better conditioning of every corner of the room.
- Hot Water (Heat/DHW)**
Hot water production for Heating or DHW.
- Low ambient temperature heating**
Compared to traditional air conditioners, the wide operating range allows the unit to operate in Heating even at very low ambient temperatures.
- 180° louver**
Horizontal louver can rotate with a 180° angle, bigger than a standard unit
- Breeze away**
Set the blades to avoid direct airflow
- Cascade**
Quick cooling function that let the horizontal louver rotate automatically
- Humidity management**
The user can set the desired humidity and the unit will dry the air in a proper way.

RELIABILITY

- Refrigerant Leakage Alarm**
Notifies the presence of any refrigerant leaks.
- Self-diagnosis function**
Once abnormal operation or parts failure happen, the unit will shut off automatically to protect the system. Meanwhile it will indicate protection or error code for fast service
- Emergency Function**
In case of temperature sensor failure, the unit operates in emergency mode and continues to ensure air conditioning.
- Auto Defrosting**
Prevent evaporator from freezing and maintain dehumidifying effect under low temperature environment.
- Technical room conditioning**
The air conditioner can operate in cooling mode even at low outside temperatures.
- Condensate drain pump**
Helps the indoor unit to dispose of condensation water.
- Chasis Heating Belt**
Outdoor unit frame is equipped with a electric heater on the base to prevent the water presence due to defrosting, improving the efficiency of the heat exchange.
- Compressor Heating Belt**
The compressor is equipped with a electric heater to prevent the presence of water due to defrosting, improving the efficiency of heat exchange.
- Back-up electrical heater**
An electrical heater helps the unit to operate at the worst conditions
- Auxiliary heating source**
The unit can manage an additional external heating urce
- Opposite fan rotation**
The ODU fan can rotate in reverse to remove sand and dust, keeping the compressor clean.

HEALTH

- High Density filter**
Better filter efficiency thanks to smaller holes for air passage
- Cold Catalyst filter**
It eliminates formaldehyde and other volatile organic compounds (VOCs) as well as harmful gases and odors.
- Self-Cleaning**
Indoor unit will continue running at special combined mode to blow and dry indoor evaporator after the unit switched off so as to keep clean and healthy.
- Fresh air inlet**
Outside air can be lead into the room via a connection pipe, which keeps the indoor air fresh and healthy
- Purification filter**
Clean the air from smells, dangerous gas (VOCs), microbes (bacteria, virus, spores) and other particles
- i-clean**
Indoor unit cleaning cycle that prevent odours and mould growing
- Anti-legionella**
disinfection cycle to prevent the bacteria inside DHW tank

CONVENIENCE

- Manual Switch Button**
You can easily turn on/off your AC by pressing manual switch button, without using a remote controller or any special tools.
- Remote On/Off**
With a smartcontrol board, the air conditioners can be turned on/off via long distance control signals.
- Error Alarm Port**
Port for remote alarm on the unit.
- Wired controller**
Wired controller can be fixed on the wall and avoid mislaying. It's mainly used far commercial zone and makes air conditioner control more convenient.
- Central Control Management**
The centralized controller is a multi-functional device that can control up to 64 indoor units.
- BMS Management**
Possible to manage the unit via BMS Software.
- WiFi Control**
Possible to manage the unit via App.
- Single/Multi MCompatible**
Compatible indoor unit for both single and multi system. It comes in handy for warehouse management.
- Fins Postion Memory Function**
At each start, the air deflector will return to the last selected position.
- Auto Restart**
If the air conditioner breaks off unexpectedly due to a power cut, it will restart with the previous setting mode automatically when the power resume.
- Double condensate drain**
Both left and right sides of indoor unit are possible for drainage hose connection, easy for installation.
- Timer**
Possible to program the unit switch on and off in 24 hours.
- Weekly Timer**
Possible to program the unit switch on and off during the week.
- 0,5°C Temperature Regulation**
Enhanced comfort, thanks to the temperature regulation with 0,5°C precision.
- Automatic correction of the connection errors**
It automatically redirects any connection errors.
- Voice control compatible**
Ability to manage the unit with voice, thanks to compatibility with Amazon Alexa, Google Home.

FOR OVER 35 YEARS WE HAVE BEEN
OFFERING SOLUTIONS FOR SUSTAINABLE
COMFORT AND THE WELL-BEING OF PEOPLE
AND THE ENVIRONMENT

clivet.com



Valid from: November 2024
DG25A900GB-01



CLIVET S.p.A.

Via Camp Lonc 25, Z.I. Villapaiera 32032 - Feltre (BL) - Italy
Tel. +39 0439 3131 - info@clivet.it

CLIVET GMBH

Hummelsbütteler Steindamm 84,
22851 Norderstedt, Germany
Tel. +49 40 325957-0 - info.de@clivet.com

Clivet Group UK LTD

Units F5 & F6 Railway Triangle,
Portsmouth, Hampshire PO6 1TG
Tel. +44 02392 381235 -
Enquiries@Clivetgroup.co.uk

CLIVET LLC

Office 508-511, Elektroavodskaya st. 24,
Moscow, Russian Federation, 107023
Tel. +7495 6462009 - info.ru@clivet.com

CLIVET MIDEAST FZCO

Dubai Silicon Oasis (DSO) Headquarter Building,
Office EG04-05, P.O Box-342009, Dubai, UAE
Tel. +9714 5015840 - info@clivet.ae

Clivet South-East Europe d.o.o.

Jarušćica 9b
10000, Zagreb, Croatia
Tel. +3851 222 8784 - info.see@clivet.com

CLIVET France

6 Allée Kepler,
77420 Champs-sur-Marne - France
mail: info.fr@clivet.com
Tel: ++33 01 88 60 99 40

Clivet Airconditioning Systems Pvt Ltd

Office No.501 & 502,5th Floor, Commercial -I,
Kohinoor City, Old Premier Compound, Off LBS
Marg, Kirool Road, Kurla West, Mumbai
Maharashtra 400070, India
Tel. +91 22 30930200 - sales.india@clivet.com